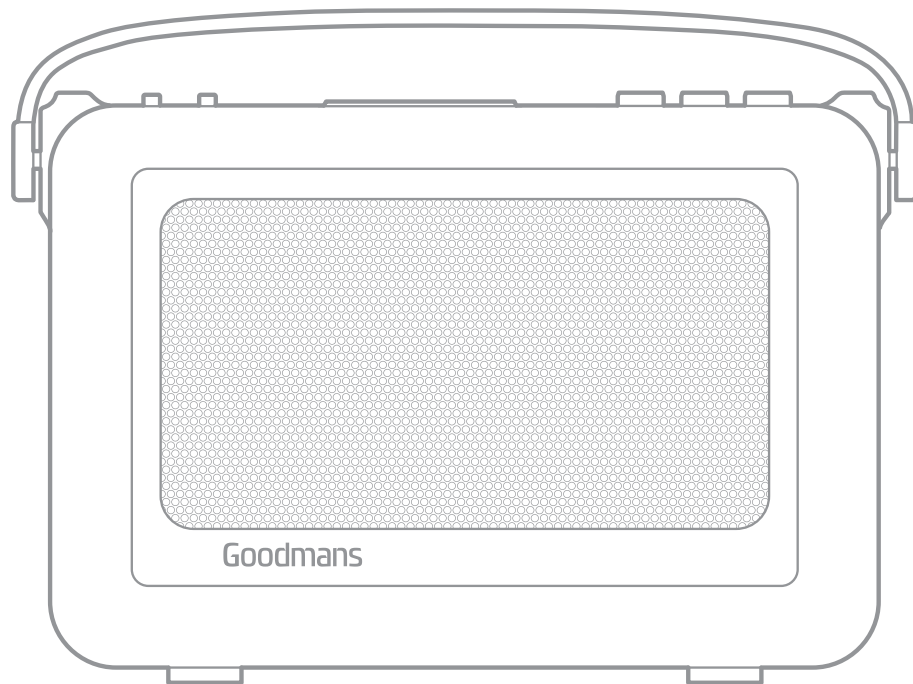


# OXFORD



MODEL: OXFORD  
OXFORD DAB+ FM RADIO

USER MANUAL



**Goodmans**

# 1 Welcome



## 2 Your Oxford DAB+ FM Radio

- 2.1 In The Box
- 2.2 Top View
- 2.3 Side View
- 2.4 Rear View

## 3 Quick Setup

- 3.1 Power On and Autoscans
- 3.2 Changing DAB Stations
- 3.3 Scanning for DAB Stations
- 3.4 Adjusting the Volume
- 3.5 Switching Off

## 4 Features

### **ON-OFF VOL control**

- 4.1 Turn on/off
- 4.2 Adjust Volume/Tune ▼ ▲

### **PRESET button**

- 4.3 Store Stations as Presets
- 4.4 Playing Stations Saved as Presets

### **SCAN button**

- 4.5 Auto Scan

### **MODE/MENU button**

- 4.6 Switch Between DAB/FM Modes
- 4.7 Menu Options in DAB Mode
- 4.8 Menu Options in FM Mode

### **EXTERNAL DEVICES**

- 4.9 Using Headphones
- 4.10 Play an External Source

### **FACTORY RESET**

- 4.11 System Reset

## 5 Troubleshooting

## 6 Technical Specifications

## 7 Customer Support

# 1 Welcome



Thank you for choosing this Goodmans product. We've been making electronics for the British people for 70 years. Each of our projects has been carefully designed to be great at what it does and this one is no exception. We hope you enjoy your new Oxford DAB+ FM Radio.

---

## 2 Your Oxford DAB+ FM Radio

### 2.1 In The Box

Carefully remove your Oxford DAB+ FM Radio from the box.

Inside the box you will find:

- Oxford DAB+ FM Radio
- Mains power supply lead
- Quick Start Guide
- Guarantee Booklet

If any of these items are missing contact Customer Support at [www.goodmans.co.uk/support](http://www.goodmans.co.uk/support)



### Mains Power

Your Oxford DAB+ FM Radio requires a mains supply of 230V AC ~ 50 Hz. Please ensure that your mains supply is compatible before use. Disconnect the Power Cord from the mains when not in use.

### Position of DAB Digital Radio

Place on a flat, stable surface that is not subject to vibrations. Avoid the following locations:

- Where it is exposed to direct sunlight
- Where it is close to heat radiating sources
- Where the humidity is high and ventilation is poor
- Where it is dusty

### Adjusting the Aerial

Fully extend the aerial to ensure good reception in both DAB and FM Radio modes. It may be necessary to alter the position of the DAB+ FM Radio and/or the aerial to achieve the best signal.

### Using Headphones

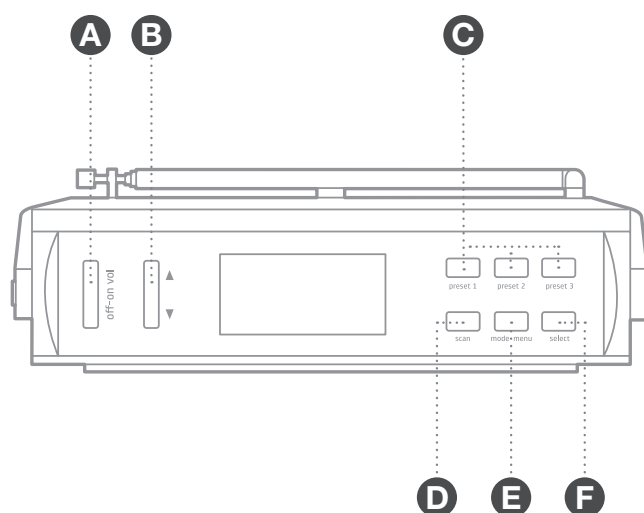
Headphones require a 3.5mm diameter stereo plug and an impedance of 8-32 ohms.

Headphones are not supplied with this DAB+ FM Radio.

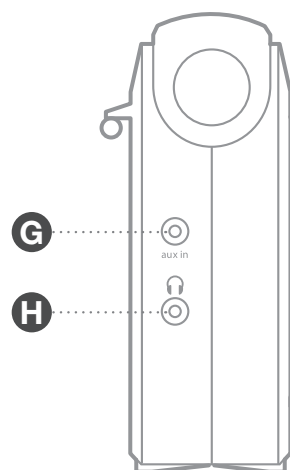


## 2.2 Top View

- A OFF-ON VOL control**  
Switch to turn on/off the unit and adjust the volume.
- B ▼ ▲ control**  
Switch to navigate between stations, one by one.
- C PRESET 1, 2, 3 buttons**  
Press and hold to save a station as a preset. To tune into a preset station, simply press one of the buttons.
- D SCAN button**  
Press the SCAN button to perform a full scan.
- E MODE/MENU button**  
Press to switch between DAB and FM mode, or press and hold to display menu options.
- F SELECT button**  
Press to make a selection.



- E MODE/MENU button**  
Press to switch between DAB and FM mode, or press and hold to display menu options.

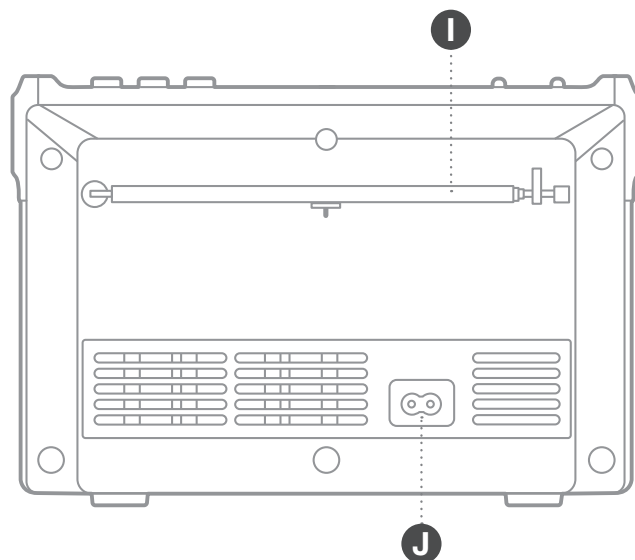


## 2.3 Side View

- G Aux-In socket**  
Used to connect external audio sources to the DAB+ FM Radio.
- H Headphone socket**  
Plug in headphones to listen to the radio.

## 2.4 Rear View

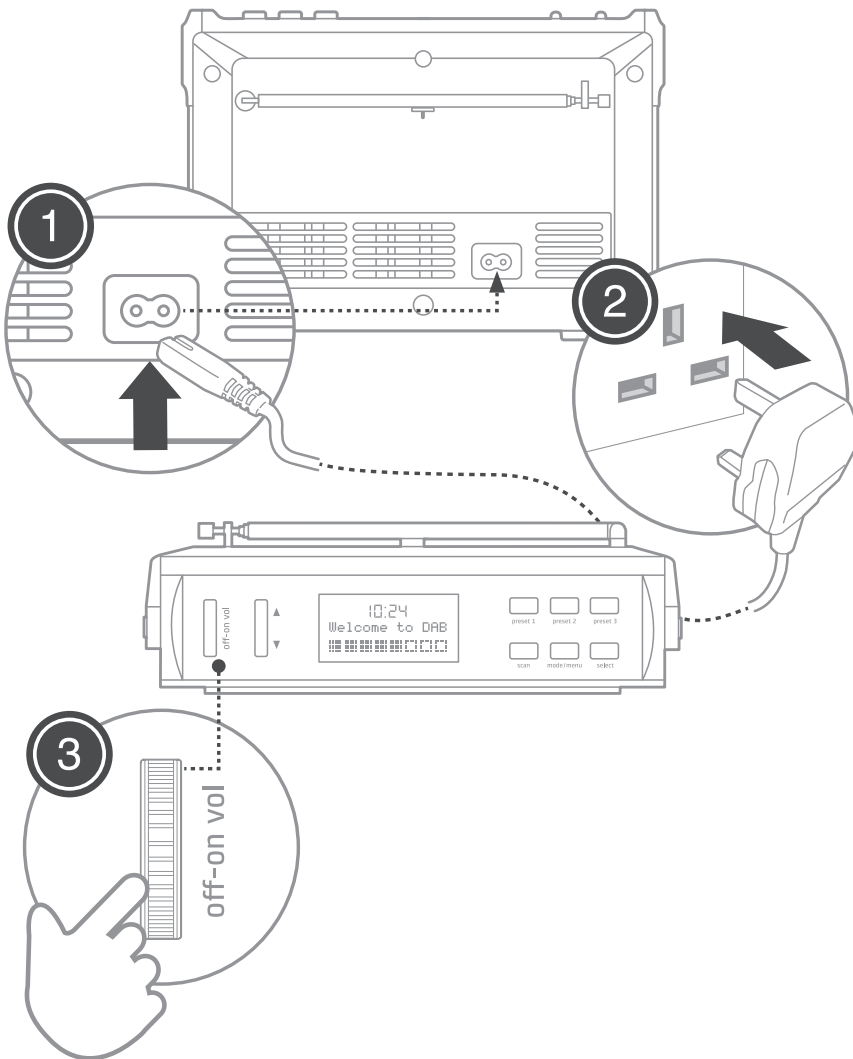
- I Aerial**
- J AC-In socket**  
Used to connect the DAB+ FM Radio to the mains power supply.



# 3 Quick Setup



1. Connect the power cable to your Oxford DAB+ FM Radio and mains supply.
2. Raise and extend the aerial.
3. Turn radio on by switching the off-on vol control upwards.
4. The first time the radio is switched on, it will start up in DAB mode. It will automatically scan for the available radio stations.
5. In DAB mode, the ▼ ▲ control allows you to navigate between different stations. Press SELECT button to choose the one you want to listen to.



# 4 Features



## OFF-ON VOL button

### 4.1 Turn on/off

1. Turn on the DAB+ FM Radio by switching the OFF-ON VOL control upwards until it clicks. The first time the device is switched on, it will start up DAB mode. It will automatically scan for the available radio stations to fig.1.
2. To power off the device turn the control downwards.

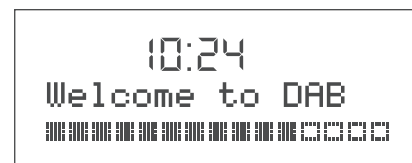


fig.1

### 4.2 Adjust Volume

Adjust the volume by turning the control up and down as required.

## PRESET buttons

### 4.3 Store Stations as Preset

Your Oxford DAB+ FM Radio can store 3 stations as presets in both DAB and FM mode. This will allow you to quickly tune to a saved station or frequency.

1. Tune to the station you would like to save as a preset in either FM or DAB mode just as you would for normal listening.
2. Press and hold the desired PRESET button to save the radio station.

### 4.4 Playing Stations Saved as Presets

To play a station you have saved as a preset:

1. Select the band (DAB or FM) of the station you would like to listen to by pressing the MODE/MENU button.
2. Press the desired PRESET button to tune into the station.

## SCAN buttons

### 4.5 Auto Scan

Press the SCAN button to perform a full scan automatically. Once a scan is completed, the radio returns to play the previously-selected station or first station on the station list.

**Note:** If no radio station found, it shows “No DAB Station”. For a better reception, extend the antenna or do the full scan again in another place.



## MODE/MENU button

### 4.6 Switching Between DAB/FM Modes

1. The first time your Oxford DAB+ FM Radio is switched on, it will start up DAB mode.
2. If the radio is in DAB mode, press the MODE/MENU button to switch to FM mode.
3. Once in FM mode, your DAB Digital Radio will tune to the start of the available FM range (87.50MHz) or the last FM station listed to fig.2.
4. To manually change the FM frequency, turn the ▼ ▲ control to change the frequency by 0.05MHz.



fig.2

### 4.7 Menu Options in DAB Mode

1. In DAB mode, press and hold MODE/MENU button to display the menu list to fig.3.
2. Turn the ▼ ▲ control to navigate between the menu options.
3. Choose your preferred option and press the SELECT button to confirm.

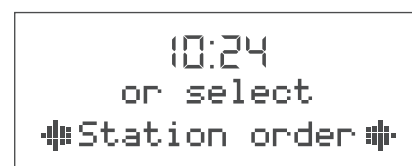


fig.3

The following menu options are available in DAB mode: Station order, Manual tune, DRC value, Prune, SW version.

#### Station Order

To set station order:

1. Choose between 'Alphanumeric' and 'Ensemble' by switching the ▼ ▲ control.
2. Press the SELECT button to confirm your option.

#### Manual Tune

Manually tune your DAB+ FM Radio to a particular channel or frequency. This can be useful for adjusting your antenna to achieve the best possible reception and scanning a particular channel to update the station list.

1. In the menu, turn ▼ ▲ control to bring up "Manual tune", then press SELECT button to confirm.
2. Switch ▼ ▲ control to select a particular channel/frequency and then press SELECT button to confirm the setting to fig.4.

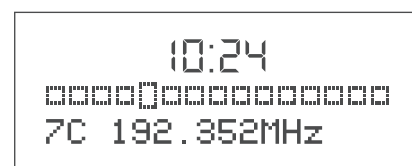


fig.4

The display shows a live indication of the received signal strength on the selected frequency. Adjustments to your antenna will be shown in the received signal strength displayed.



### **DRC (Dynamic Range Compression)**

This function reduces the difference between the loudest and quietest audio being broadcasted. The options available are: 0 1/2 1 (1 is the default as marked by the asterisk).

1. In the menu, turn ▼ ▲ control to bring up “DRC” through the list of menu, then press SELECT button to confirm.
2. Switch ▼ ▲ control to navigate between the available settings.
3. Choose the preferred one and press SELECT button to confirm.

DRC only works if it is enabled by the broadcaster for a specific station.

### **Prune**

This option removes all weak or invalid stations indicated by a ‘?’ in front of the station name.

1. In the menu list, turn ▼ ▲ control to display “Prune” and press SELECT button to confirm.
2. Switch ▼ ▲ control to navigate between “Yes” and “No”.
3. Press SELECT button to make the choice.

### **SW Version**

To display more information about the software version:

1. Select SW version using the ▼ ▲ control.
2. Press SELECT button to show the information regarding the version on your DAB+ FM Radio.

## **4.8 Menu Options in FM Mode**

1. In FM mode, press and hold MODE/MENU button to access the menu list.
2. Navigate between the menu options using ▼ ▲ control.
3. Press the SELECT button to make your choice.

The following menu options are available FM mode: Scan setting, Audio setting, SW version.

### **Scan Setting**

By default, FM scans stop at all available station irrespective of the signal strength, which may result in poor quality sound from weak stations.

1. In the FM menu, turn ▼ ▲ control to bring up “Scan setting”, then press SELECT button.
2. You can select between “Strong stations only” and “All stations”.
3. Activate your choice by pressing the SELECT button.





## Audio Setting

All stereo stations are broadcasted in stereo, which for weak stations may result in poor sound quality. You can improve the audio quality by using the mono option available on your Oxford DAB+ FM Radio.

1. Turn ▼ ▲ control to bring up “Audio setting” and press SELECT button.
2. Select between the two available settings “Stereo allowed” and “Forced mono”.
3. Activate the preferred option by pressing SELECT button.
4. It will automatically change to new setting after 3 seconds.

## SW Version

Just like in DAB mode, selecting “SW version” will display information on the software.

# EXTERNAL DEVICES

## 4.9 Using Headphones

You can listen to your radio using headphones, just plug the 3.5mm jack into your Oxford DAB+ FM Radio.

## 4.10 Play an External Source

Connect your MP3 or smartphone via a 3.5mm jack to enable AUX input mode.

# FACTORY RESET

## 4.11 System Reset

You can perform a system reset to restore factory settings. Performing a system reset will also retune your stored digital radio stations and remove any stored presets on the digital radio.

1. Press and hold the SCAN button.
2. To confirm the reset press the SELECT button.

# 5 Troubleshooting



<b>Problem</b>	<b>What to do</b>
There is no sound from my radio	Check that the volume is not set to the minimum. Make sure that the radio has been able to locate DAB/FM stations.
The display shows 'NO SERVICES AVAILABLE' in DAB mode	Make sure that DAB coverage exists in your area. Try adjusting the position of the aerial or location of the radio.
Poor reception	As with any radio service, there will be areas of weak signal that may cause poor reception. Follow the instructions for Manual Tuning on 4.7 and adjust the aerial while monitoring the signal strength until the optimum signal is obtained. If reception is still poor, try re-locating the radio to another part of the room.
I cannot access secondary services	At the time of publishing this manual not many secondary services are available in the UK. This will increase as more DAB stations start broadcasting. If a secondary service station is available, the secondary indicator '>>' will be displayed next to the station name.
Some of the buttons on the DAB Digital Radio are not working	This may be caused by electrostatic discharge. Turn the DAB Digital Radio off, disconnect the mains plug and reconnect after a few seconds.

## 6 Technical Specification



Model Number	OXFORD
Power Supply	230V AC ~ 50 Hz
Speaker Output Power	1 x 1W RMS
Frequency Range	FM: 87.5-108 MHz DAB: 174-240 MHz
LCD Display	High Resolution Display
Max Power Consumption	6.5W
Dimensions	260mm(W) x 85mm(D) x 165mm(H) Inclusive of aerial and handle mounts

## 7 Customer Support

For all product support, warranty or returns;  
please go to **[www.goodmans.co.uk/support](http://www.goodmans.co.uk/support)**