

Goodmans

GPS01
CD Boombox
User Guide



IMPORTANT: Please read all instructions carefully before use and keep for future reference

Introduction

Thank you for choosing this Goodmans CD Boombox.

You can listen to your favourite radio stations and CDs.

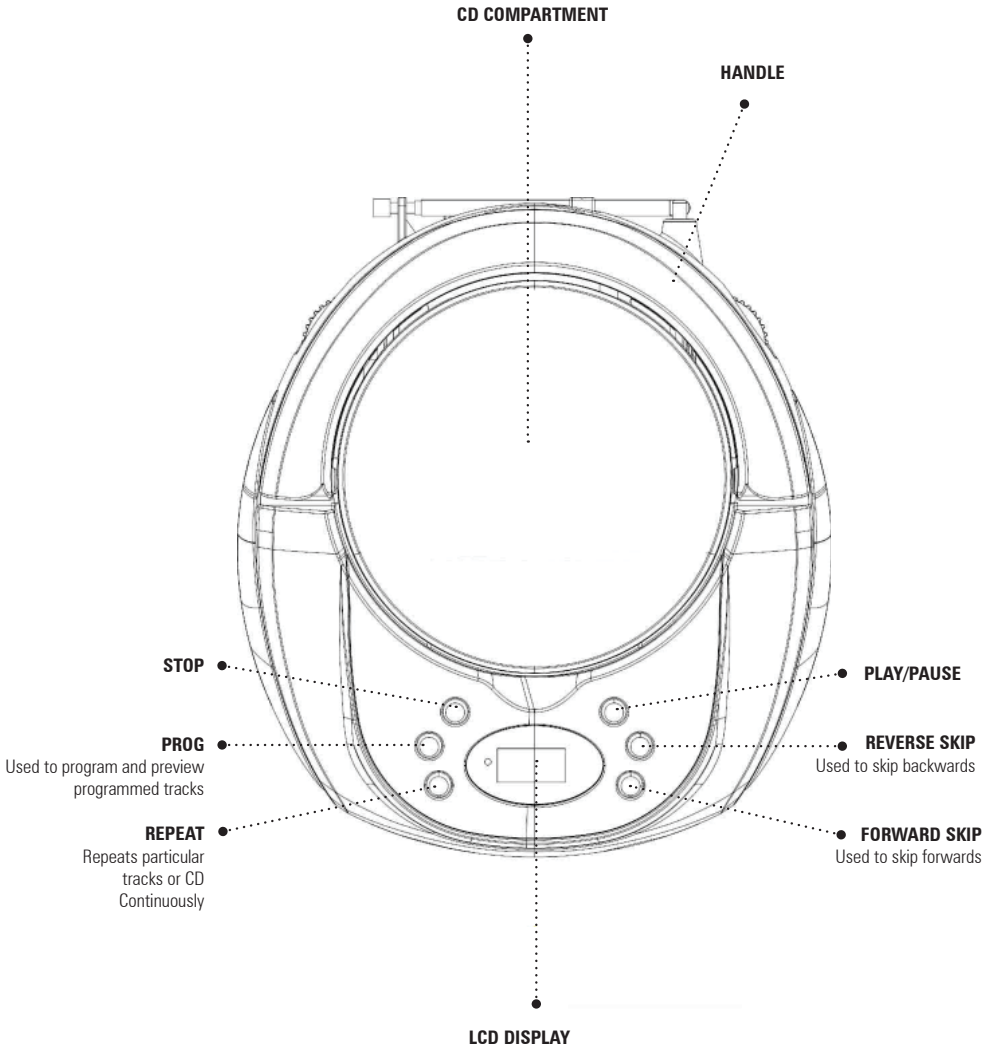
For the purpose of ease of use, the Goodmans CD Boombox will be referred to as the Boombox.

Safety is important
Use of any electrical equipment should be undertaken with care. Please read the safety section on pages 11 and 12 before using your Boombox. This appliance is for household use only.

Contents

01 Your Boombox3	06 Technical Specification10
02 Getting Started.....5	07 Warnings.....11
03 Daily use6	08 Electrical Information.....13
04 Troubleshooting.....8	09 Guarantee14
05 Care and Maintenance9	

Front



01 Your Boombox

Rear

SELECTION SWITCH
Selects FM Radio, CD/Line In
or turns the Boombox off

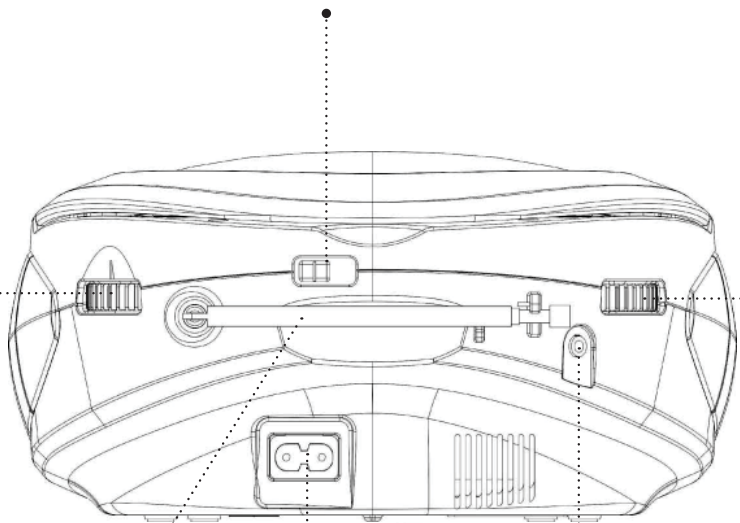
TUNING DIAL
Select FM stations

VOLUME DIAL
Up and down

AERIAL

**MAINS SUPPLY
SOCKET**

LINE IN
Play audio from
another source



1

AC Power Connection

Plug the power cable into the AC input socket at the rear of the Boombox.

2

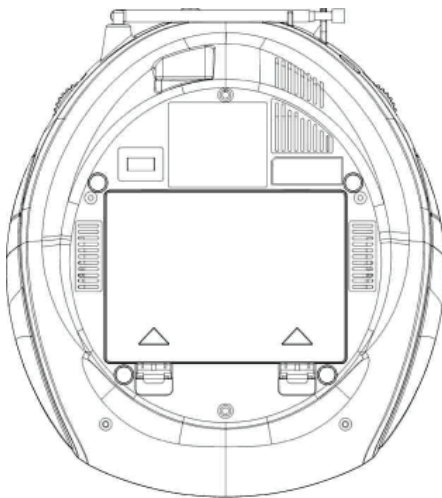
AC Power Connection

Connect the mains plug to the power socket and turn the power on.

3

Using the Portable System with Batteries

Remove the battery compartment cover from the underside of the Boombox and insert 6 size C batteries (not included) following the polarity diagram printed in the compartment. Replace the battery compartment cover.



We have divided this user guide into separate sections, so that you can find the information you are looking for easily. This section covers the day to day functions that you will use most.

Radio

- 1 Raise and pull open the Aerial.
- 2 Slide the **SELECTION SWITCH** to **FM**.
- 3 Rotate the **TUNING DIAL** to select the desired station.

CD Player

You can play audio, CD-R and CD-RW discs.

DON'T FORGET! You will not be able to play CD-ROM, CDI, VCD, DVD or computer discs.

Loading a CD

- 1 Slide the **SELECTION SWITCH** to CD/Line In.
- 2 Open the CD compartment lid, insert the CD with the label facing upwards and then close the CD compartment lid.

Play a CD

- 1 Press **PLAY/PAUSE** button to start playing a CD.
- 2 Press **PLAY/PAUSE** button to pause a CD, press the **PLAY/PAUSE** button to start playing the CD again.
- 3 Press the **STOP** button to stop playing the CD.

Skipping Forward or backwards through CD

You can skip forwards or backwards through the CD to select a particular track using the **FORWARD SKIP** and **REVERSE SKIP** buttons.

Repeat Current track on CD

You can repeat the current track or CD continuously.

- 1 Repeat current track:

Press the **REPEAT** button once to repeat the current track continuously, The **REPEAT LED** flashes on the display.

- 2 Repeat CD:

Press the **REPEAT** button twice to repeat the entire CD continuously. The **REPEAT LED** is solid on the display.

Canceling the Repeat option

You can cancel the repeat option at any time. Press the **REPEAT** button again.

Programmed Track Selection

You can set the CD player to play a selection of tracks from the CD.

- 1 Make sure the CD is not playing.
- 2 Press the **P** button, the **LCD DISPLAY** and the **PROG LED** will flash.
- 3 Use the **FORWARD SKIP** and **REVERSE SKIP** buttons to skip forwards and backwards to find the track you are looking for.
- 4 Press the **P** button to store the selected track.
- 5 Repeat steps 3 and 4 until selected all the desired tracks.

Playing the programmed selection

Press the **PLAY/PAUSE** button to play your selection.

Deleting a selection

You can delete a selection, press the **STOP** button twice, open the CD compartment or slide the **SELECTION SWITCH** to choose another function.

LINE IN

You can play audio from another source (e.g. MP3 player).

- 1 Slide the **SELECTION SWITCH** to CD/Line In.
- 2 Connect the audio source using a cable (not supplied) to the **LINE IN** socket.
- 3 Switch on and play the audio source.
- 4 Use the **VOLUME DIAL** to set the volume, or you can change the volume by using the volume control at the audio source.

If a fault occurs, first check the points listed below before taking the Boombox for repair. Do not open the Boombox as there is a risk of electric shock.

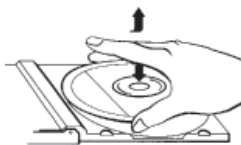
If you are unable to rectify a problem by following these hints, consult your dealer or service centre.

WARNING: Under no circumstances should you try to repair the Boombox yourself, as this will invalidate the warranty.

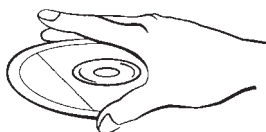
Problem	What to do
Boombox does not respond (no power).	Check the mains power cable and make sure it is plugged into a suitable power outlet. Check that the mains power supply is switched on. Connect the power to a different power outlet. Replace the batteries
Noise or sound distorted on FM broadcast.	Retune the FM broadcast station. Fully extend the Aerial.
FM no sound.	Slide the SELECTION SWITCH to FM. Increase the volume.
CD player will not play.	Slide the SELECTION SWITCH to CD/Line In. Insert CD with label side up. Use only discs that are compatible with this device.
CD skips while playing.	Wipe CD with clean cloth or use another disc.
Intermittent sound from CD Player.	Clean or replace the defective disc. Use a CD-lens cleaning disc to clean the lens. Relocate the player away from shock or vibration.
The Boombox gets warm after extended play at high volume.	Turn the Boombox off for a period of time or lower the volume.
The CD compartment lid will not open	Make sure that the carrying handle is fully down, not obstructing the CD compartment lid.

Handling Discs

To remove a disc from its storage case, press down on the centre of the case and lift the disc out.



Hold the disc by the edges, to avoid touching the recorded side of the disc.



Fingerprints and dust should be carefully wiped from the disc's surface with a soft cloth. CDs have no grooves to collect dust and microscopic debris so gently wiping with a soft cloth should remove most particles.



Wipe in a straight line from the inside to the outside of the disc. Small dust particles and light stains should have no effect on reproduction quality.

Never use chemicals such as record sprays, antistatic sprays, benzine, or thinners to clean the discs. These chemicals can irreparably damage the disc's surface.

Discs should be returned to their cases after use. This avoids serious scratches that could cause the laser pickup to skip.

Do not expose discs to direct sunlight, high humidity, or high temperatures for extended periods. Exposure to high temperatures can warp the disc.

Do not stick paper or write anything with a ball point pen on the label side of the disc.

TECHNICAL SPECIFICATION	
Power Supply	<ul style="list-style-type: none">• AC 230 V, 50 Hz.
Dimensions of Unit	<ul style="list-style-type: none">• 230 (W) *100 (H) *150 (L) mm.
Frequency Range	<ul style="list-style-type: none">• FM 87.5-108.5 MHz.
Antenna	<ul style="list-style-type: none">• FM-Telescopic Antenna.
CD Section	<ul style="list-style-type: none">• Top Loading Player.
CD Size	<ul style="list-style-type: none">• 5" & 3" Compatible.
LINE IN Jack	<ul style="list-style-type: none">• 3.5 mm.



WEEE

This appliance is labelled in accordance with European Directive 2002/96/EG concerning used electrical and electronic appliances (Waste Electrical and Electronic Equipment - WEEE). The guideline determines the framework for the return and recycling of used appliances.

Sound levels

Your hearing is very important to you and to us, so please take care when using this Boombox. It is strongly recommended that you follow the listed guidelines in order to prevent possible damage or loss of hearing.

Establish a safe sound level

Over time your hearing will adapt to continuous loud sounds and will give the impression that the volume has in fact been reduced. What seems normal to you may in fact be harmful. To guard against this **before your hearing adapts**, set the volume to a low level.

Slowly increase the level until you can hear comfortably and clearly and without distortion. Damage to your hearing is accumulative and is irreversible. Any ringing or discomfort in the ears indicates that the volume is too loud.

Once you have established a comfortable listening level, **do not increase the sound level**.



WARNING! THIS PRODUCT UTILISES A CLASS 1 LASER. USE OF CONTROLS, ADJUSTMENTS OR PROCEDURES NOT

LISTED IN THIS USER GUIDE MAY RESULT IN HAZARDOUS RADIATION EXPOSURE.

General safety

This Boombox has been designed and manufactured to meet European safety standards, but like any electrical equipment, care must be taken if you are to obtain the best results and safety is to be assured.

Do read these operating instructions before you attempt to use the Boombox.

Do ensure that all electrical connections (including the mains plug, extension leads and interconnections between pieces of equipment) are properly made in accordance with the manufacturer's instructions.

Place the Boombox on a sturdy level surface or stand.

Only use the power adapter supplied with this Boombox.

Switch off and remove the mains plug when making or changing any connections.

Do not continue to operate the Boombox if you are ever in doubt about it working normally, or if it is damaged in any way. Switch it off withdraw the plug from the mains and consult your dealer.

Do not obstruct the ventilation vents on the Boombox, for example with curtains or soft furnishings.

Do not allow electrical equipment to be exposed to rain or moisture.

The Boombox shall not be exposed to dripping or splashing.

No objects filled with liquids, such as vases, shall be placed on the Boombox.

Do not install the Boombox in direct sunlight or near heat sources, such as radiators, stoves or other appliances which produce heat.

Do not allow the power cord to be walked on or pinched.

Do not use the Boombox if the power cord is frayed or cracked or the plug is damaged.

Unplug the Boombox during a thunderstorm or if it will be unused for a long period of time.

When unplugging the Boombox, do not pull the cable to remove the plug.

Store the Boombox in a clean, dry environment.

Clean the Boombox only with a damp cloth. Do not use any cleaning agents containing alcohol, ammonia, benzene or abrasives as these may harm the housing.

Do not remove any fixed covers as this may expose you to dangerous voltages.

The mechanical parts of the Boombox contain self-lubricating bearings and must not be oiled to lubricate.

When replacing the batteries in the Boombox make sure that you use the same size and type.

Do not use new and old batteries together. When replacing the batteries in the Boombox, replace them all at the same time.

When replacing the batteries in the Boombox make sure that you insert them the correct way round. The correct way is marked inside the battery compartment.

Do not drop anything into the Boombox, such as coins, hairpins or needles.

Do not touch the lens of the CD player.

Sudden changes in the surrounding temperature can cause condensation to form and the lens of your CD player to cloud over. Playing a CD is then not possible. Do not attempt clean the lens but leave the Boombox in a warm environment until the moisture evaporates.

Always close the CD lid to keep the CD compartment free of dust. To clean, dust the compartment with a soft dry cloth.

Do not expose the batteries in the Boombox to excessive heat, such as fire or direct sunlight.

Do consult your dealer if you are ever in doubt about the installation, operation or safety of your Boombox.

Electrical Information

This Boombox is fitted with a BS1363/A 13 amp plug. If it is not suitable for your supply sockets it must be removed and replaced with an appropriate plug. If the plug becomes damaged and/or needs to be replaced please follow the wiring instructions below. The plug removed must be disposed of immediately. It must not be plugged into a supply socket as this will be an electrical hazard. If the fuse needs to be replaced it must be of the same rating and ASTA approved to BS1362. If the plug is changed, a fuse of the appropriate rating must be fitted in the plug, adapter or at the distribution board. If the fuse in a moulded plug is replaced, the fuse cover must be refitted before the appliance can be used.

Wiring Instructions

The supply cable will be either 2-core or 3-core. Follow the appropriate wiring instructions given below. In both cases ensure that the outer sheath of the cable is firmly held by the cable clamp.

2-Core Plug

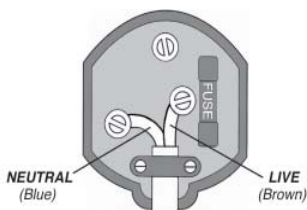
WARNING! Do not connect either wire to the earth terminal.



This symbol indicates that this 2-core appliance is Class II and does not require an earth connection.

The wire coloured blue must be connected to the terminal marked with the letter N or coloured black.

The wire coloured red must be connected to the terminal marked with the letter L or coloured red.



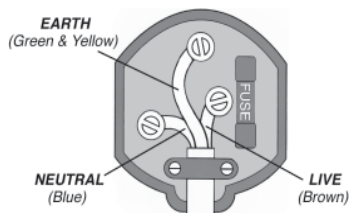
3-Core Plug

WARNING! This appliance must be earthed.

The wire coloured green and yellow must be connected to the terminal marked with the letter E, or by the earth symbol (⏚), or coloured green and yellow.

The wire coloured blue must be connected to the terminal marked with the letter N or coloured black.

The wire coloured red must be connected to the terminal marked with the letter L or coloured red.



The Boombox is guaranteed for twelve months from the date of original purchase. If any defect due to faulty materials or workmanship, contact the Goodmans Helpline. Have your receipt of purchase on hand.

The guarantee is subject to the following provisions:

- It is only valid within the boundaries of the country of purchase.
- The product must be correctly installed and operated in accordance with the instructions contained in this User Guide.
- The Boombox must be used solely for domestic purposes.
- The guarantee will be rendered invalid if the Boombox is re-sold or has been damaged by inexpert repair.
- The manufacturer disclaims any liability for incidental or consequential damages.
- The guarantee is in addition to, and does not diminish, your statutory or legal rights.

Goodmans

www.goodmans.co.uk

DCS-JUL13-GPS01