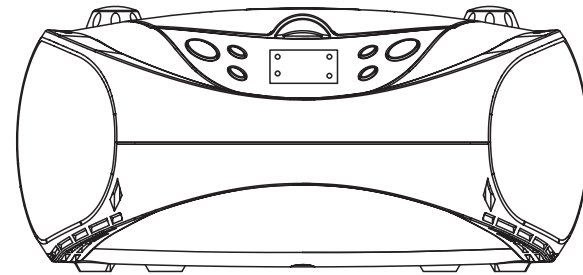


Goodmans

GPS103

MW/FM RADIO CD PLAYER



INSTRUCTION MANUAL

**Before operating this unit,
Please read this Owner's Manual carefully**

WARNING: UNDER NO CIRCUMSTANCES MUST THE LIVE OR NEUTRAL WIRES BE CONNECTED TO THE EARTH TERMINAL IN 3-PIN MAINS PLUG.



This symbol means that this unit is double insulated.
An earth connected is not required.

CAUTION: WHEN OPERATING THIS UNIT ON 230V MAINS SUPPLY. PLEASE NOTE THAT WHEN THE POWER SWITCH IS IN THE OFF MODE. THIS DOES NOT DISCONNECT THE UNIT FROM THE MAINS SUPPLY. HOWEVER, PLEASE BE ASSURED THAT IT IS PERFECTLY SAFE TO LEAVE THE UNIT CONNECTED TO THE MAINS SUPPLY.

CAUTION

CLEANING: Always disconnect the unit from mains supply before attempting to clean it. Use soft cloth moistened with soapy water, wipe gently.

Do not use solvents or abrasive materials.

- ★ Save the carton and packing materials: they will be useful if you ever have to transport the unit.

IMPORTANT SAFEGUARDS

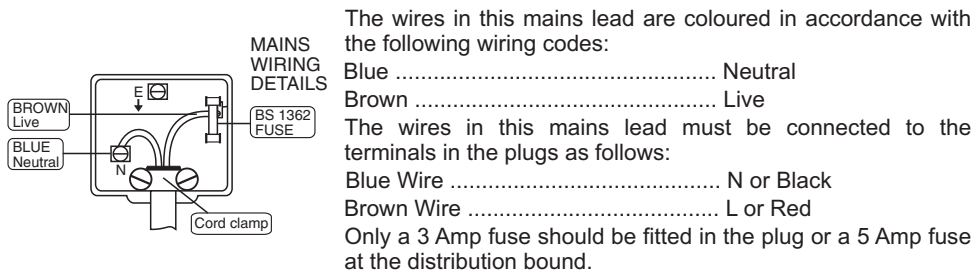
PRE FITTED MAINS PLUGS

For your convenience a mains plug with a fuse has been fitted to this appliance. For your safety please observe the following information.

1. Should the fuse fail in the plug remove the plug from the wall socket and replace the fuse with a 3 Amp ASTA approved to BS 1362 fuse.
2. Never use the plug without the fuse cover fitted. Replacement fuse covers are available from your dealer or most electrical retail outlets.
3. If the mains plug is cut off from the cable, rewire the replacement plug in accordance with the instruction given in this manual.
4. **CAUTION:** Under no circumstances should the discarded plug be inserted into the mains socket. To prevent a shock hazard carefully dispose of the discarded plug. Do not leave the plug lying around where children might see it.

WARNING: To prevent fire or shock hazard do not expose this unit to rain or moisture.

CAUTION: DANGEROUS VOLTAGES EXIST INSIDE THIS UNIT. DO NOT REMOVE COVER (OR BACK). NO USER SERVICEABLE PARTS INSIDE. REFER SERVICING TO QUALIFIED SERVICE PERSONNEL. DISCONNECT FROM MAINS SUPPLY WHEN NOT IN USE.



WARNING: TO REDUCE THE RISK OF FIRE OR ELECTRIC SHOCK. DO NOT EXPOSE THIS APPLIANCE TO RAIN OR MOISTURE, DANGEROUS HIGH VOLTAGES ARE PRESENT INSIDE THE ENCLOSED. DO NOT OPEN THE CABINET. REFER SERVICING TO QUALIFIED PERSONNEL ONLY.

CARE AND MAINTENANCE

CLEANING THE UNIT

(REMOVE MAINS PLUG FROM MAINS OUTLET SOCKET)

To clean the unit, simply wipe off with a soft clean cloth moistened with plain lukewarm water.

COMPACT DISC

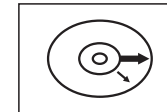
Handling the disc

Although the music tracks in the disc are covered with a protective layer it is still advisable to treat the disc carefully. Ensure that you always pick up discs by the edge, and put them back in their holders immediately after using.



Cleaning the disc

Cleaning will not normally be necessary. However, should fingerprints, dust or dirt appear, you can wipe them off with a soft, lint-free cloth, wiping the disc in straight line from centre to edge.



COMPACT DISC PLAYER

The player mechanism is fitted with self-lubricating bearings, and must not be oiled or greased.

INTRODUCTION

Please read these instructions carefully before using this product and retain them in a safe place for future reference.

POWER SUPPLY

This Product can be powered by either 230V AC Mains supply or by 6 LR14 " C " size Alkaline batteries.

AC OPERATION

Remove the AC cord which is packed inside the box.
Connect the cord to the AC input socket.
Connect the 3 pin mains plug to an AC mains socket.

BATTERY OPERATION

1. Insert 6 LR14 " C " size batteries (not supplied) into the battery compartment observing the correct polarity as indicated.
2. Ensure compartment cover is securely fitted.
3. Product will only function from batteries once AC cord is removed from the unit.
4. When replacing flat batteries, ensure all batteries are replaced at the same time with the same type.
5. If the product is not to be used for an extended period of time the batteries should be removed to prevent any possible damage to the product.

LASER SAFETY

This unit employs a laser, only qualified service personnel should attempt repair.



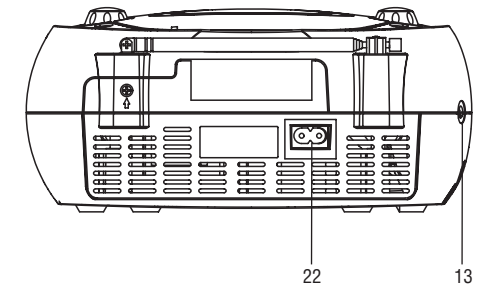
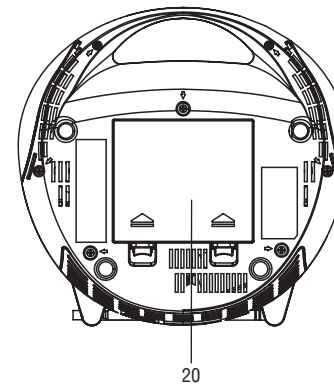
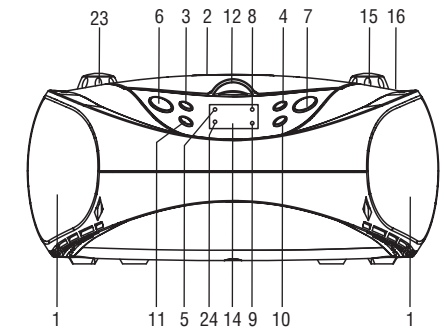
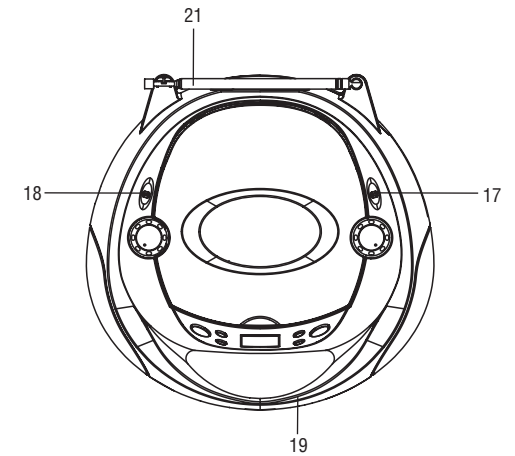
DANGER: INVISIBLE LASER RADIATION WHEN OPEN AND INTERLOCK FAILED OR DEFEATED. AVOID DIRECT EXPOSURE TO BEAM.

CAUTION: HAZARDOUS LASER RADIATION WHEN OPEN AND INTERLOCK DEFEATED.

WARNING: Please note that this unit does not have a separate power on/off switch. To turn the unit on simply select which function you require CD/Radio. After use turn the player off by moving the Function switch to the OFF position.

LOCATION OF CONTROLS

1. SPEAKERS
2. CD DOOR
3. PROGRAM/REPEAT BUTTON
4. BACKWARD SKIP/SEARCH BUTTON
5. POWER INDICATOR
6. STOP BUTTON
7. PLAY/PAUSE BUTTON
8. PLAY/PROGRAM INDICATOR
9. REPEAT INDICATOR
10. FORWARD SKIP/SEARCH BUTTON
11. RANDOM BUTTON
12. CD DOOR OPEN AREA
13. PHONES SOCKET
14. LED DISPLAY
15. TUNING CONTROL
16. DIAL SCALE
17. BAND SELECTOR
18. FUNCTION SELECTOR
19. HANDLE
20. BATTERY COMPARTMENT
21. FM TELESCOPIC AERIAL
22. AC SOCKET
23. VOLUME CONTROL
24. FM STEREO INDICATOR



USING THE RADIO

1. Connect the unit to the power source. If FUNCTION selector is not at OFF position, the POWER indicator will illuminate.
2. Slide the FUNCTION selector to RADIO position.
3. Select required wave band with BAND selector.
4. Tune to required station by rotating the TUNING control.
5. The built-in MW antenna and the FM telescopic antenna are directional. When receiving FM broadcast, extend the FM telescopic antenna in full length. The strongest reception can be achieved by rotating the set for MW or telescopic antenna for FM. If reception is noisy with high levels of hiss when listening with the band selector set to FM ST. (stereo), please move the BAND selector to the FM (MONO) position.
6. Adjust the VOLUME control to the desired volume level.
7. To turn off the radio, slide the FUNCTION selector to OFF position.

USING THE CD PLAYER

LOADING A COMPACT DISC

1. Lift and open the CD door by lifting the CD door at the open area.
2. Insert a disc with the label side facing upward.
3. Close the CD door by hand.

NOTE: Never touch the laser lens inside the CD compartment. If it ever gets dirty, clean it with a CD cleaner disc.

REMOVING A DISC

1. Make sure the CD is not playing. If it is, press the CD STOP button.
2. Lift and open the CD door by lifting the CD door at the open area.
3. Gently remove the disc.
4. Close the CD door by hand.
5. Replace the disc in its protective storage box.

USING THE CD PLAYER

NORMAL PLAY

1. Set the FUNCTION selector to the CD position, if a disc is already loaded into the CD compartment, after approximately 5 seconds the total number of tracks will be shown in the display.
2. To start playing, press the CD PLAY/PAUSE button (PLAY/PROGRAM indicator will light). Track number 1 will be shown in the display and after a few seconds the track will begin to play.
3. Adjust the VOLUME control to the desired volume level.
4. To stop the disc temporarily, press the CD PLAY/PAUSE button, the number of the track being played will flash. To resume play, press the CD PLAY/PAUSE button again, the track number will stop flashing and play will continue.
5. To stop the disc, press the CD STOP button, and PLAY/PROGRAM indicator will go off.
6. To turn off the CD, slide the FUNCTION selector to OFF position.

NOTES:

- Never press the CD Door down during play, this may cause malfunction or damage the disc. Always stop the CD player by using the CD STOP button before you take the disc out of the compartment.
- If you hit or move the CD during play, the music will stop for a second or two and then start again. This is normal operation for portable CD players.

SKIPPING/SEARCHING TRACKS

1. This function enables you to find the beginning of any desired track during playback. If the CD FORWARD SKIP/SEARCH (▶▶) button is pressed once or repeatedly, the NEXT TRACK or one of the following tracks will be selected. The Display will show the track or song number.
2. If the CD BACKWARD SKIP/SEARCH (◀◀) button is pressed twice or more in rapid succession, play will go BACK one track per press.
3. When the set is in the PAUSE mode, it is also possible to select the beginning of a certain track by using the CD FORWARD SKIP/SEARCH (▶▶) button and CD BACKWARD SKIP/SEARCH (◀◀) button to reach the desired track. After selection, press the CD PLAY/PAUSE button.
4. Press and hold the CD FORWARD SKIP/SEARCH (▶▶) button to search forward at a high speed for a particular point. Press and hold the CD BACKWARD SKIP/SEARCH (◀◀) button to search backward. Release the button to resume normal play when the point is found.

USING THE CD PLAYER

REPEAT PLAY - SINGLE TRACK

To repeat the SAME track over and over again, do the following:

1. During CD playing mode, press the SKIP/SEARCH button to select the track you like.
2. Press the PROGRAM/REPEAT button. The REPEAT indicator will be steadily on.
3. The track you selected will play over and over until you press the PROGRAM/REPEAT button twice to end the repeat function.

REPEAT PLAY - ALL TRACKS

To repeat play ALL TRACKS on a disc over and over again, do the following.

1. During CD playing mode, press the PROGRAM/REPEAT button twice, and the REPEAT indicator will flash on and off.
2. All the tracks on the CD will play in order and then start all over again.
3. To end the repeat function, press PROGRAM/REPEAT button once.
4. To stop play, press STOP button.

PROGRAMMED (MEMORY) PLAY

Up to 16 tracks can be programmed for disc play in the order you like or the same track (song) can be repeated up to 16 times.

NOTE: Programming can only be done during stop mode.

PROGRAMMED (MEMORY) PLAYBACK

1. Press PROGRAM/REPEAT button during stop mode.
2. The display will show " P0 " and the PLAY/PROGRAM indicator will flash.
3. Press the SEARCH/SKIP buttons either **◀◀** or **▶▶** until the desired track shows on the display.



track 4 will be first
to be programmed

4. Press the PROGRAM/REPEAT button. The first track will be stored and the display will show " P1 " and the PLAY/PROGRAM indicator keeps flashing.

Note: When the 11th track is programmed, the display shows P₁₁. When more than 11 tracks are entered, the display will show P_b, P_c, P_d, P_E and P_F indicating 12, 13, 14, 15 and 16th track.

5. Repeat steps 3 and 4 until all the desired tracks are programmed.
6. When you finished programming, press PLAY/PAUSE button.
7. The display will show the track number being played, and the PLAY/PROGRAM indicator will keep flashing on and off during program play.



track 4 will be the first
programmed song to play

USING THE CD PLAYER

8. All tracks will play in the order you programmed.
9. During play, if you want to hear the next programmed track, press the SKIP/SEARCH button.
10. When all the programmed tracks have been played, playback ends and the PLAY/PROGRAM indicator extinguishes. You can then do one of the following:
 - To play the program sequence again, press the PROGRAM/REPEAT button once to enter the programming mode, then press the PLAY/PAUSE button (once).
 - Press the PROGRAM/REPEAT button repeatedly to show the existing program number in order.
 - In the programming mode, you can edit the existing program.
 - Exit the program mode by pressing the CD STOP button.
11. To turn off the power, remember to slide FUNCTION switch to the off position.

THE CD MEMORY WILL BE ERASED UNDER THE FOLLOWING CONDITIONS:

- If you open the CD door.
- Moving the FUNCTION selector from CD to RADIO or OFF position.
- The power is disconnected.

RANDOMPLAY

Tracks on the disc can be played in random order.

- Press the RANDOM button during play, after the current track is finished, the unit will play tracks in random order until all tracks are played.
- In CD stop mode, pressing the RANDOM button will start random play.

NOTE: During random play, the current track number and random symbol will flash to indicate random play is in progress. (Please note the random indicator is shown on the number display as moving lines)
- During random play, press the RANDOM button again to cancel random function and resume normal play.

PRODUCT SPECIFICATIONS

PICK-UP

System	Compact disc digital audio system
Laser diode	material: GaAlAs
Properties	Wavelength: $\lambda = 780\text{nm}$ Emission Duration: continuous Laser output: $<44.6\mu\text{W}$
Error correction	Cross-interleave Reed-solomon code

AUDIO

D/A conversion	1-bit DAC 8 times oversampling
Frequency response	20-20,000Hz (+1/-3 dB)
Wow and flutter	Below measurable limits
No. of channels	2 channels (stereo)
Output level	Earphone: 20mWX2 (32 Ω)
Speaker's Impedance	2W 8 Ω X2

RADIO

Receiving bands	MW/FM
Frequency range	MW 522-1620 KHz FM 87.5 -108.0 MHz

GENERAL

Power requirements	AC 230V/50Hz
Power consumption	13W
Dimension	Approx.232.0(L)X223.0(W)X105.3(H) (mm)
Weight	Approx. 1.354kg