

Goodmans

XB3CDG KARAOKE MACHINE



IMPORTANT SAFEGUARDS

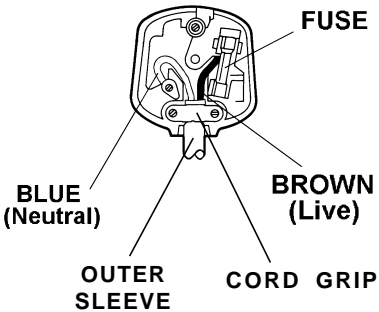
WARNING : To prevent fire or shock hazard do not expose this unit to rain or moisture.

CAUTION : DANGEROUS VOLTAGES EXIST INSIDE THIS UNIT, DO NOT REMOVE COVER (OR BACK), NO USER SERVICEABLE PARTS INSIDE, REFER SERVICING TO QUALIFIED SERVICE PERSONNEL, DISCONNECT FROM MAINS SUPPLY WHEN NOT IN USE.

PRE FITTED MAINS PLUGS

For your convenience a mains plug with a fuse has been fitted to this appliance. For your safety please observe the following information.

1. Should the fuse fail in the plug remove the plug from the wall socket and replace the fuse with a 3 Amp ASTA approved to BS1362 fuse.
2. Never use the plug without the fuse cover fitted. Replacement fuse covers are available from your dealer or most electrical retail outlets.
3. If the mains plug is cut off from the cable, rewire the replacement plug in accordance with the instruction given in this manual.
4. **CAUTION:** Under no circumstances should the discarded plug be inserted into the mains socket. To prevent a shock hazard remove the fuse and carefully dispose of the discarded plug. Do not leave the plug lying around where children might see it.

MAINS PLUG WIRING DETAILS	
	<p>The wires in this mains lead are coloured in accordance with the following wiring codes:</p> <p>Blue Neutral Brown Live</p> <p>The wires in this mains lead must be connected to the terminals in the plugs as follows:</p> <p>Blue Wire N or Black Brown Wire L or Red</p> <p>Only a 3 Amp fuse should be fitted in the plug or a 5 Amp fuse at the distribution board.</p>

WARNING : UNDER NO CIRCUMSTANCES MUST THE LIVE OR NEUTRAL WIRES BE CONNECTED TO THE EARTH TERMINAL IN A 3-PIN MAINS PLUG.

CAUTION : WHEN OPERATING THIS UNIT ON 230V MAINS SUPPLY, PLEASE NOTE THAT WHEN THE POWER SWITCH IS IN THE OFF MODE, THIS DOES NOT DISCONNECT THE UNIT FROM THE MAINS SUPPLY HOWEVER, PLEASE BE ASSURED THAT IT IS PERFECTLY SAFE TO LEAVE THE UNIT CONNECTED TO THE MAINS SUPPLY.



This symbol means that this unit is double insulated. An earth connection is not required.

CAUTION
CLASS 1 LASER PRODUCT
 Use of Controls or adjustments or performance of procedures other than those specified herein may result in hazardous radiation exposure.

LASER SAFETY

This unit employs a laser, only qualified service personnel should attempt repair.



DANGER: INVISIBLE LASER RADIATION WHEN OPEN AND INTERLOCK FAILED OR DEFEATED. AVOID DIRECT EXPOSURE TO BEAM.
CAUTION: HAZARDOUS LASER RADIATION WHEN OPEN AND INTERLOCK DEFEATED.

MAINTENANCE AND CARE

SOME DO'S AND DON'TS ON THE SAFE USE OF EQUIPMENT

This equipment has been designed and manufactured to meet European safety standards but like any electrical equipment, care must be taken if you are to obtain the best results and safety is to be assured.

- DO read the operating instructions before you attempt to use the equipment.
- DO ensure that all electrical connections (including the mains plug, extension leads and interconnections between pieces of equipment) are properly made in accordance with the manufacturer's instructions. Switch off and withdraw the mains plug when making or changing connections.
- DO consult your dealer if you are ever in doubt of the installation, operation, or safety of your equipment.
- DO be careful with glass panels or doors on equipment.
- DON'T continue to operate the equipment if you are in any doubt about it working normally, or if it is damaged in any way - switch off, withdraw the mains plug and consult your dealer.
- DON'T remove any fixed cover as this may expose dangerous voltages.
- DON'T leave equipment switched on when it is unattended unless it is specifically stated that it is designed for unattended operation or has a standby mode. Switch off using the switch on the equipment and make sure that your family knows how to do this. Special arrangements may need to be made for infirm or handicapped people.
- DON'T listen to headphones at high volume, as such use can permanently damage your hearing.
- DON'T obstruct the ventilation of the equipment, for example with curtains or soft furnishings. Overheating will cause damage and shorten the life of the equipment.
- DON'T allow electrical equipment to be exposed to rain or moisture.

Above all -

- Never let anyone, especially children, push anything into holes, slots or any other opening in the case-this could result in a fatal electric shock.
- Never guess or take chances with electrical equipment of any kind.
- It is better to be safe than sorry!

CLEANING THE UNIT

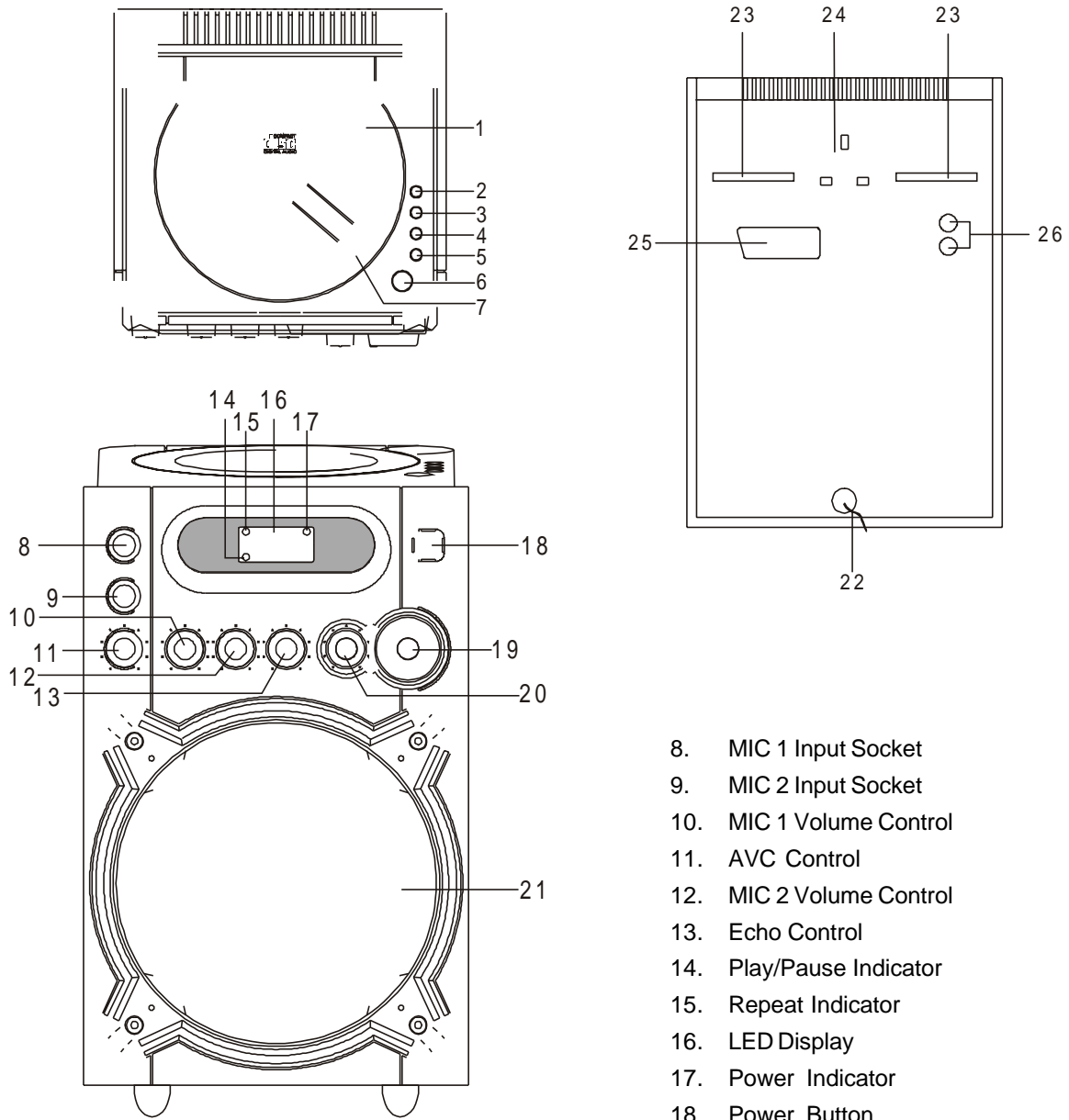
WARNING

AS WITH ALL MAINS POWERED UNITS, ALWAYS DISCONNECT THE MAINS PLUG FROM ITS SOCKET, BEFORE ATTEMPTING TO CLEAN THE UNIT, ONLY USE A SOFT CLOTH MOISTENED WITH WARM SOAPY WATER, DO NOT USE HARSH ABRASIVES OR CHEMICALS TO CLEAN WITH AS THIS WILL DAMAGE THE UNIT GRAPHICS OR FINISHING.

TABLE OF CONTENTS

Location of controls	4
Introduction	5
Installation	5
Audio - Out	5
Using the microphone	6
Handling compact discs	6
Loading discs	7
Playing CD or CD+G discs	7
Connecting the CD+G system	7
Connecting to the TV	7
Important Information	8
To stop a CD partway through	8
Track Skip	8
Repeat Disc Play	9
Important Notes	10
Specifications	11

LOCATION OF CONTROLS



- 1. CD Door
- 2. CD Skip up Button
- 3. CD Skip down Button
- 4. Repeat Button
- 5. Stop Button
- 6. Play/Pause Button
- 7. Door Open

- 8. MIC 1 Input Socket
- 9. MIC 2 Input Socket
- 10. MIC 1 Volume Control
- 11. AVC Control
- 12. MIC 2 Volume Control
- 13. Echo Control
- 14. Play/Pause Indicator
- 15. Repeat Indicator
- 16. LED Display
- 17. Power Indicator
- 18. Power Button
- 19. Master Volume Control
- 20. Music/Vocal Control
- 21. Speaker
- 22. AC Cord
- 23. MIC Hooks
- 24. BS Plug Storage Slot
- 25. Scart Socket
- 26. Audio Out Socket

INTRODUCTION

The XB3 operates on a power supply of 230V 50Hz AC.

The XB3 contains the following facilities:

- Digital audio CD and Graphic player.
- 2 microphone input sockets(1 mic is supplied).
- AVC(Auto Vocal Control) facility.
- Talk or sing along to music(demo disc supplied).
- Separate variable microphone volume and system volume controls.
- Microphone ECHO control and Music/Vocal control.
- The Audio Out are stereo source but are played in mono through the Single speaker located on the XB3.

INSTALLATION

Carefully remove the unit from its packaging and place it on a firm flat surface. Avoid installation near heaters or in area subject to direct sunlight. Ensure good air circulation. Protect the unit from dust, moisture and water. Avoid strong magnetic field, eg near TVs or speakers.

Insert the mains plug into a 230V 50Hz

AC mains supply socket.

Note: Save the carton and packing material, they will be useful if you ever have to transport the unit.

AUDIO - OUT

SCART SOCKET AND CABLE

This unit is supplied with a scart cable.

Connect this scart cable to your XB3 and TV to see the lyrics of the CDG disc on your TV.

AUDIO OUTPUT

There is a pair of RCA sockets at the rear of the unit marked AUDIO OUT L/R. This allows the audio signal generated by the Xb3 to be connected to a separate audio amplifier for further amplification. Output level 1 volt max.

USING THE MICROPHONE

The microphone may be used in conjunction with all other sections of the XB3.

PUBLIC ADDRESS

- Insert microphone into either of the microphone input sockets.
- Adjust MIC 1 or MIC 2 volume level and master volume control as required.
- To add ambience to your voice adjust the ECHO control as required.

Note: To prevent howling/whistle occurring ensure that the XB3 is facing away from the person using the microphone.

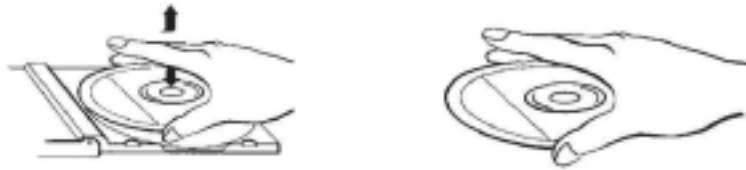
SINGING TO MUSIC

The microphone can operate together with the CD functions.

- Insert the supplied microphone into either MIC input socket.
- Move the ON/OFF switch or the microphone to the ON position and operate the microphone.
- Adjust MIC 1 or MIC 2 volume level and master Volume control as required.
- To add ambience to your voice adjust the Echo control as required.
- Use the AVC switch to cut and control the vocals from the music being played.
- Putting Karaoke disc, switch Music/Vocal Control to Music site to adjust music volume and to Vocal site to adjust vocal volume.

HANDLING COMPACT DISCS

To remove a disc from its storage case, press down on the centre of the case and lift the disc out, holding it carefully by the edges.



Fingerprints and dust should be carefully wiped off the disc's recorded surface with soft cloth. Unlike conventional records, compact discs have no grooves to collect dust and microscopic debris so gently wiping with a soft cloth should remove most particles. Wipe in a straight line from the inside to the outside of the disc. Small dust particles and light stains will have absolutely no effect on reproduction quality.

Never use chemicals such as record sprays, antistatic sprays, benzine, or thinners to clean compact discs. These chemicals can irreparably damage the disc's surface. Discs should be returned to their cases after use. This avoids serious scratches that could cause the Laser pickup to skip.

Do not expose discs to direct sunlight, high humidity, or high temperatures for extended periods. Long exposure to high temperatures can warp the disc.

LOADING DISCS

LOADING AND UNLOADING CD OR CD+G

- Push the CD door to open the disc compartment.
- Once the CD door has opened, remove a disc from its case and place it carefully in the compartment with the label side facing up.
- Push the CD door to close the disc compartment.

CAUTION

- Do not put anything except a compact disc into the compartment. Foreign objects can damage the mechanism.
- Keep the disc compartment closed when not in use to prevent dirt and dust from entering the mechanism.

PLAYING CD OR CD+G DISCS

- Push the CD door to open the disc compartment, and load a CD.
- Close the door, the unit will search the tracks and the display will show the total number of tracks.
- Press the Play/Pause Button, disc play will begin from the start of the first track.
- Press the CD Skip Up/Down Button to select the CD of your choice.

A particular track can be selected by pressing CD Skip Up/Down Buttons. If this is done before pressing the Play/Pause Button, disc play will start with the selected track when the Play/Pause Button is pressed.

- Notes:*
- If the disc is deeply scratched, or too dirty, disc play may not play.
 - Please note that the SEARCH facility is disable whilst playing CDG discs. This is to prevent corrupted on screen graphics showing on the TV screen.

CONNECTING THE CD+G SYSTEM

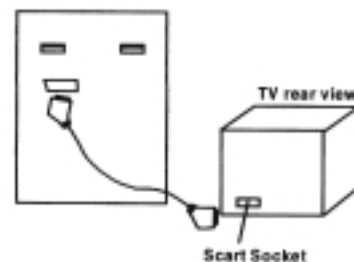
The CD+G(CD music + Graphics) player will allow standard audio CD and CDG disc to be played through the system. When special Karaoke CDG discs are used, such as the one provided, words of the song will appear on your TV screen.

CONNECTING TO THE TV

Connect one end of the supplied scart cable to your TV and the other end to the scart socket on the rear of the XB3. Make sure you select AV channel on your TV.

Note : When a CD Graphic disc is loaded, the words of the song will appear on TV screen when it is being played.

Connect scart lead to TV and XB3 and select AV on your TV.



IMPORTANT INFORMATION

This compact disc player has built-in error compensation circuits to correct for minor defects in a disc. There are limits, however, to the amount of correction available. In some cases, the CD player may skip some tracks on a disc during disc play. This problem may be caused by defects (such as scratches) in the disc being played, which are too large for the error compensation circuits to handle. If you encounter this problem, check the CD player operation as follows, before having the unit serviced.

Play a new disc. If the CD player operates normally, the skipping problem is probably due to a defective disc.

TO STOP A CD PART WAY THROUGH

- Press the Stop Button. Disc play will stop, the Play indicator will go off, and the display will show the total number of tracks.
- To temporarily stop disc play (pause mode), press the Play/Pause Button. Disc play will pause at the current play position.
- To resume disc play, press the Play/Pause Button again. The Play indicator will be displayed.

TRACK SKIP

TO SKIP TO THE NEXT TRACK ON A DISC

- For example, to skip ahead to the beginning of track 5 while track 4 is playing.
- Press the Skip Up Button once. Disc play will resume at the beginning of track 5.

The CD player will skip ahead to the next track each time the Skip Up Button is pressed. Repeatedly pressing the Skip Up Button makes the CD player skip ahead through the disc track by track. Once the beginning of the last track is reached the CD player will not advance any further.

TO SKIP BACK TO THE PREVIOUS TRACK ON A DISC

- For example, to skip back to the beginning of track 3 while track 4 is playing.
- Press the Skip Down Button twice. Disc play will resume at the beginning of track 3.

The CD player will skip back one track each time the Skip Down Button is pressed. If this Button is pressed once in the middle of a track, the CD player will skip back to the beginning of that track. To make it skip back to the previous track press the Skip Down Button twice. Repeatedly pressing the Skip Down Button makes the CD player skip back through the disc track by track. Once the beginning of the first track is reached, the CD player will not go back any further.

Notes: The Skip Up/Down Buttons can be used to select a desired track to play from before disc play starts. In this case the number of the selected track will be displayed until the Play/Pause Button is pressed.

Press and hold this Skip Button to search forward and backward through a track.

REPEAT DISC PLAY

If the Repeat Button is pressed during normal disc play, the following repeat functions are displayed in sequence in the CD Display.

Repeat Indicator flashing	Repeats the current track on the disc.
Repeat Indicator on	Repeats all the tracks on the disc.
Repeat Indicator extinguished	Cancel repeat mode.

IMPORTANT NOTES

Hearing is very important to you and to us so please take care when operating this equipment. It is strongly recommended that you follow the listed guidelines in order to prevent possible damage or loss of hearing.

ESTABLISH A SAFE SOUND LEVEL

Over time your hearing will adapt to continuous loud sounds and will give the impression that the volume has in fact been reduced. What seems normal to you may in fact be harmful. To guard against this BEFORE YOUR HEARING ADAPTS set the volume at a low level.

Slowly increase the lever until you can hear comfortably and clearly and without distortion.

Damage to your hearing is accumulative and is irreversible.

Any ringing or discomfort in the ears indicates that the volume is too loud.

Remember listening for prolonged period of time at high volume levels will harm your hearing.

Once you have established a comfortable listening level, DO NOT INCREASE THE SOUND LEVEL FURTHER.

The following list of typical sound levels may assist you in recognising just how loud you have set the volume level.

DECIBEL

Lever (dB)	Example
30dB	Quiet library, soft whisper.
40	Living room, fridge, freezer, bedroom away from traffic.
50	Normal conversation, quiet office, light traffic.
60	Electric sewing machine.
70	Vacuum cleaner, hair dryer, noisy restaurant.

THE FOLLOWING NOISE CAN BE HARMFUL UNDER CONSTANT EXPOSURE

80dB	Average city traffic, alarm clock buzzer at 2 feet, food mixer.
90dB	Motorcycle, heavy goods vehicle, petrol lawn mower.
100	Pneumatic drill, chain saw, garbage truck, discotheque / night-club
120	Rock band concert, thunderclap, fast train passing by.

PERMANENT LOSS OF HEARING

40	THRESHOLD OF PAIN	Gunshot 2 feet away, jet plane taking off.
180		Rocket Launching pad.

SPECIFICATIONS

Power Supply

AC : 230V ~ 50Hz

CD Section System

Frequency response : 20Hz ~ 20KHz (+/- 3dB)

S/N ratio : 65dB

Wow and Flutter : immeasurable

D/A converter : 1 bit DAC with 8 times oversampling digital filter

CDG Section System

System : PAL I

Therefore output level : 1 volt