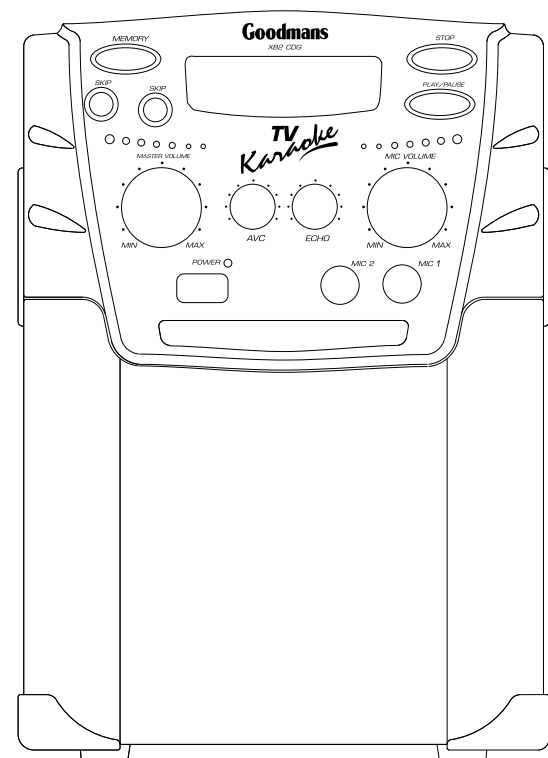


Goodmans

X2BCDG

CD+GRAPHICS KARAOKE SYSTEM



Instruction Manual

**BEFORE OPERATING THIS PRODUCT
PLEASE READ THESE INSTRUCTIONS COMPLETELY**

Table of Contents

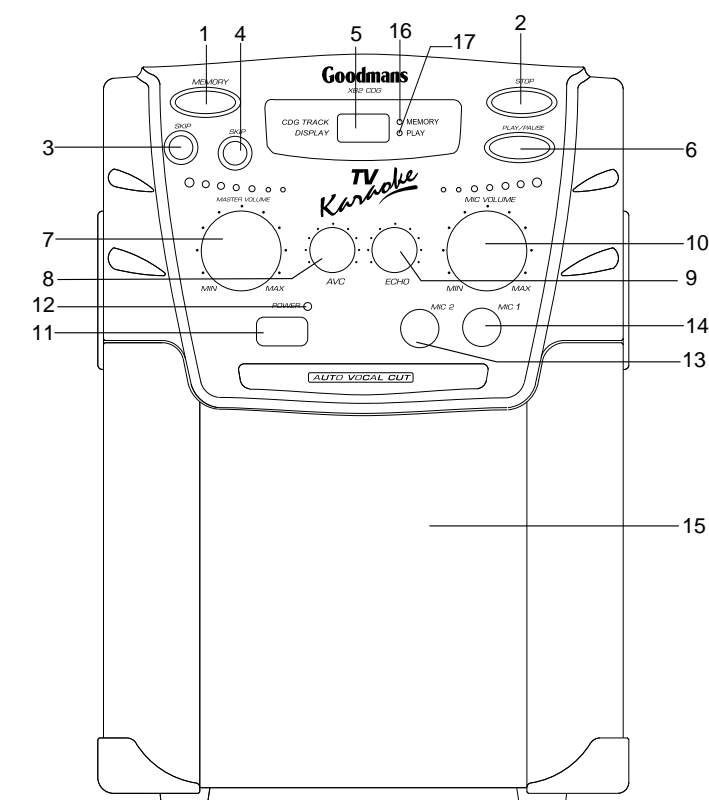
PACK CONTENTS.....	2
LOCATION OF CONTROLS.....	3
CONNECTING TO MAINS SUPPLY.....	5
IMPORTANT SAFETY NOTES.....	6
FEATURES.....	7
CONNECTIONS.....	8
CONNECTING MICROPHONES.....	8
CONNECTING TO A TV.....	8
SINGING ALONG / QUICK START.....	9
SINGING WITH A CD/CD+G.....	9
SYSTEM OPERATION.....	10
TURNING THE SYSTEM ON/OFF.....	10
ADJUSTING THE SOUND.....	10
PLAYING A CD/CD+G.....	10
SPECIAL CD/CD+G PLAYER FEATURES.....	11
TRACK SKIP.....	11
PROGRAMMED PLAY.....	11
Programming and playing a sequence of tracks.....	11
Reviewing a programmed sequence.....	11
Adding tracks to a program.....	11
Erasing a programmed sequence.....	11
CD/CD+G CARE TIPS.....	12
TROUBLESHOOTING.....	13
CARE AND MAINTENANCE.....	14
SPECIFICATIONS.....	15

Pack contents

Main Unit	x 1
Microphone	x 1
Microphone cable	x 1
CDG Demo Disc	x 1
SCART cable	x 1
User's Manual	x 1

Location of controls

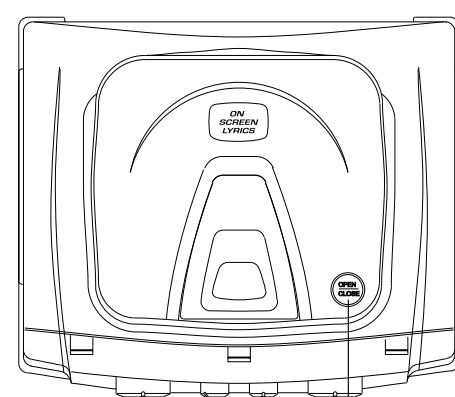
Front panel



- | | |
|---------------------------|----------------------------------|
| 1. Memory button | 2. Stop button |
| 3. Skip (backward) button | 4. Skip (forward) button |
| 5. Display | 6. Play/Pause button |
| 7. Master Volume | 8. AVC (Auto Voice Control) |
| 9. Echo | 10. Microphone Volume control |
| 11. Power button | 12. Power indicator |
| 13. Microphone socket 2 | 14. Microphone socket 1 |
| 15. Built-in speaker | 16. Memory (Programme) indicator |
| 17. Play indicator | |

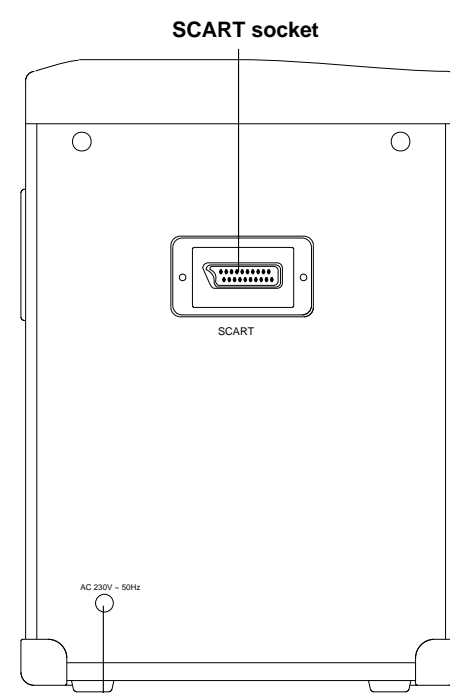
Location of controls

Top panel



Open/Close
button

Rear panel



AC Mains Cable

Connecting to Mains Supply

This appliance may be fitted with a non-rewireable plug. If it is necessary to change the fuse in a non-rewireable plug, the fuse cover must be refitted. If the fuse cover is lost or damaged, the plug must not be used until a replacement available from the appliance manufacturer is obtained. It is important that the colour of the replacement fuse cover corresponds with the colour marking on the base of the plug.

If the plug has to be changed because it is not suitable for your socket, or becomes damaged, it should be cut off and an appropriate plug fitted following the wiring instructions below. The plug removed must be disposed of safely as insertion into a 13A socket is likely to cause an electrical hazard.

For your own safety, read the following instructions carefully before attempting to connect this unit to the mains.

Mains (AC) operation

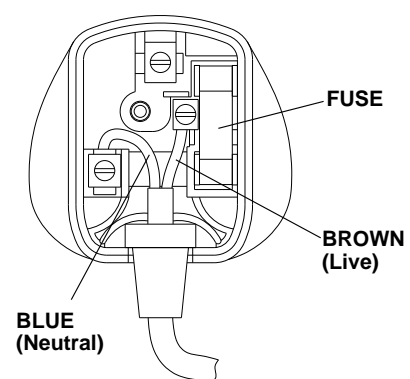
This unit is designed to operate on **AC~230V / 50Hz** current only. Connecting it to other power sources may damage the unit.

The wires in the mains lead are coloured in accordance with the following code:

Blue - Neutral
Brown - Live

IMPORTANT

As the colours of the wires in the mains lead of this appliance may not correspond with the coloured markings identifying the terminals in your plug, proceed as follows:



The wire, which is coloured blue, must be connected to the terminal, which is marked with the letter **N** or coloured black.

The wire which is coloured **brown** must be connected to the terminal which is marked with the letter **L** or coloured red.

No connection is to be made to the earth terminal of the plug.

If a 13 Amp (BS 1363) Plug is used, a 3 Amp Fuse must be fitted.

Important Safety Notes

CAUTION

To prevent electric shock, disconnect from the mains before removing cover. No user serviceable parts inside. Refer servicing to qualified service personnel.

SAFETY PRECAUTION

This symbol means that this unit is double insulated. An earth connection is not required.

CAUTION: CLASS 1 LASER PRODUCT

Use of controls or adjustments or performance of procedures other than those specified herein may result in hazardous radiation exposure.

LASER SAFETY

This unit employs a laser, only qualified service personnel should attempt repair.

DANGER: INVISIBLE LASER RADIATION WHEN OPEN AND INTERLOCK FAILED OR DEFEATED. AVOID DIRECT EXPOSURE TO BEAM.

CAUTION: HAZARDOUS LASE RADIATION WHEN OPEN AND INTERLOCK DEFEATED.

Features

This **CD+G Karaoke System** is one of the most versatile karaoke systems available. It lets you be the "star" as you sing along with your favorite recordings on a CD or CDG (a compact disc with a graphic track) and hear your voice with the music through the built-in speaker.

The X2BCDG's CD+Graphics capability allows you to connect to a television and follow along to the words of your favorite songs as the words change color in time with the music.

Plus, This karaoke system can be used as a small PA system for speaking at parties or other gatherings - just plug in the microphone and turn on the power!

This karaoke system's features include:

CD/CD+G Player - allows playback of regular or karaoke CDs, or special CD+G's so you can experience on screen lyrics the latest in karaoke fun!

Analogue Echo Control - creates a concert hall effect for your vocal performance.

Auto Voice Control (AVC) - When using a multiplex karaoke CD+G disc (music with vocals on one channel, music only on the other channel), you can adjust the volume of the pre-recorded lead vocal.

16-Track Programmable Memory - allows playback of up to 16 CD tracks in any order.

SCART socket - for connecting to a TV set with **SCART** socket to enable song lyrics to appear on the TV screen

Track Skip Function - enables easy access to any track on a CD/CD+G.

Dual Microphone Sockets - enables the use of two microphones simultaneously to sing duets or for lead and background vocals Note: only one Microphone is supplied with this unit.

Connections

Caution: To avoid electrical shock, do not connect the system to AC power until all other connections are completed.

Connecting microphones

The system has two microphone sockets so you can use the supplied microphone to sing along to your favorite recordings, and connect an additional microphone (not supplied) for duets or lead and background vocals.

To sing with the supplied microphone

1. Connect the microphone to the supplied microphone cable
2. Then connect the microphone cable to the microphone socket on the karaoke system

For the best performance, the additional microphone should be a unidirectional 600-ohm dynamic microphone with a 1/4inch (6.35mm) plug and an ON/OFF switch.

Before you connect a microphone, always turn **MIC VOLUME to MIN.**

If you are connecting only one microphone, plug it into **MIC 1**. If you are adding a second microphone, plug that microphone into **MIC 2**.

WARNING: You may want to disconnect the supplied microphone cable from the supplied microphone for storage. Make sure to press the release button on the cable all the way down until the microphone is separated from the microphone cable. **DO NOT USE EXCESSIVE FORCE** as this may break the cable and/or the microphone.

Connecting to a TV

You can connect the CD/CDG Karaoke system to a TV or monitor with a **SCART** socket to see the song lyrics produced from a special CD+Graphics karaoke disc. Plug one end of the supplied **SCART** cable into **SCART** socket and the other end into your TV's **SCART** socket.

NOTE: Make sure to select **PAL I** on your TV system. And to select the line in or AV function for the TV via the TV remote control.

8

CD/CD+G care tips

Although a CD/CD+G is very durable, you should handle it with care. We recommend the following precautions:

- Keep the CD/CD+G in its protective case or sleeve when you are not playing it.
- Keep the CD/CD+G clean.
- Do not write on either side of the CD/CD+G, particularly the non-label side.
- Do not store CD/CD+G in high temperature, high-humidity locations. They might warp.
- Keep CD/CD+G discs dry. A water drop can act as a lens and affect the laser beam's focus.
- Always handle a CD/CD+G disc by the edges to avoid fingerprints. Fingerprints and scratches on the CD/CD+G's surface can prevent the laser beam from correctly reading the digital information.

12

Singing along / Quick start

The instructions in this section provide a quick reference to help you get started singing along with this karaoke CD/CD+G system. For details on using the system's various features such as the CD/CD+G player, see the section "**System Operation**" in this Manual.

Singing with a CD/CD+G

Follow these steps to sing along with a CD/CD+G.

1. Press **POWER** to turn on the system. The **POWER** indicator will illuminate.
2. Load a CD/CD+G in the CD compartment.
3. Adjust the Auto Voice Control to the desired level. Whenever you sing along, the original singer's voice will disappear.(only CD Karaoke and CDG Karaoke discs **NOT** normal Music CD discs)
4. Press **PLAY/PAUSE**
5. Adjust the sound with **MASTER VOLUME**. See section "Adjusting the Sound" for more details.
6. Set each connected microphone's **ON/OFF** switch to **ON**. Sing directly into the microphone along with the music.
7. Use **MIC VOLUME** to adjust the volume of the microphone(s).
8. Adjust **ECHO** for the desired reverberation. See section "**Adjusting the Sound**" for more details.
9. When you finish, press **STOP** button. Then press **OPEN/CLOSE** button to open the compartment door and remove the CD.
10. Set each microphone's **ON/OFF** switch to **OFF**, then press **POWER** to turn off the system.

NOTE: To avoid feedback or howling through the unit speaker please only switch the Microphone **ON** when it is away from the front of the unit.

NOTE: Only compact discs marked on the disc or in the packaging with either the



or



logos are guaranteed to work on this player.

Home recorded disc's (CDR or CDG) recorded on home PC's may not play or operate correctly. CDRW disc cannot be played. This unit can play 3" (8cm) single CD's without an adaptor. Do not use a CD single adaptor for these discs.

9

Troubleshooting

Should problems arise during use, try these suggestions.

Problem	Possible Cause	Solution
The karaoke system does not work	No Power	Make sure the power cord is properly plugged into an AC outlet. If the outlet is Switched ensure it is switched to the ON position
A CD is loaded, But the CD/CD+G player does not start.	The CD/CD+G is loaded upside-down	Reload the CD/CD+G, label side up.
	The CD/CD+G is dirty or defective.	Clean the CD/CD+G and reload it, or try a different CD/CD+G
The CD/CD+G's sound skips.	The CD/CD+G is dirty or defective.	Clean the CD/CD+G and reload it, or try a different CD/CD+G
	Moisture has condensed on the pickup lens.	Unplug the system and wait 1 hour for the moisture to evaporate.
	The unit is placed on an unstable or uneven surface	Place the unit on a firm flat surface.

13

System Operation

Turning the system on/off

To turn on the system, press **POWER**. The **POWER** indicator will illuminate.

To turn off the system, press **POWER**. The **POWER** indicator will extinguish.

Adjusting the Sound

MASTER VOLUME - Controls the volume from the system's speaker by turning the **MASTER VOLUME** toward **MIN** or **MAX**.

AVC (Auto Voice Control) - While you play a multiplex CD+Graphics karaoke disc, you can use the **Auto Voice Control** to automatically replace the pre-recorded singer's voice with your own vocals. When you stop singing, the pre-recorded singer's voice will automatically return. To activate the **Auto Voice Control**, turn the **AVC control** clockwise to the required level.

ECHO - You can adjust **ECHO** to add an echo effect to the singers voice whilst singing. To increase the echo effect, turn **ECHO control** clockwise to the required level.

Playing a CD/CD+G

1. Press **POWER** to turn on the system. The **POWER** indicator illuminates.
2. Press **OPEN/CLOSE** to open the CD/CD+G compartment.
3. Place a CD/CD+G in the compartment tray over the centre hub, label side uppermost.
4. Press **OPEN/CLOSE** to close the compartment. The total number of tracks will then appear in the display.
5. Press **PLAY/PAUSE**. The CD/CD+G begins to play from Track 1 and the **PLAY** indicator illuminates.
6. Adjust the sound with the controls explained in section "**Adjusting the Sound**"

Note: To sing along, see the section "**Singing Along /Quick Start**"

7. The system automatically stops play at the end of the CD/CD+G's last track. To stop it sooner, press **STOP**. The CD/CD+G's total number of tracks appears.

Note:

To temporarily pause playback, press the **PLAY/PAUSE** button the **PLAY** indicator will flash. To resume playback, press **PLAY/PAUSE** again.

During playback, if the system is subject to a sudden shock or jolt, the speed of rotation might change, or some noise might be produced. This is not a malfunction.

10

Care and maintenance

The following suggestions will help you care for this karaoke system such that it will give years of trouble free service



Keep the karaoke system dry. If it gets wet, wipe it dry immediately. Liquids might contain minerals that can corrode the electronic circuits.



Use and store the karaoke system only in normal temperature environments. Temperature extremes can shorten the life of electronic devices, and distort or melt plastic parts.



Keep the karaoke system away from dust and dirt, which can cause premature wear of parts.



Handle the karaoke system gently and carefully. Dropping it can damage circuit boards and cases and can cause the karaoke system to work improperly.



Wipe the karaoke system with a damp cloth occasionally to keep it looking new. Do not use harsh chemicals, cleaning solvents, or strong detergents to clean the karaoke system.

Modifying or tampering with the karaoke system's internal components can cause damage, or personal injury, and will invalidate the product's warranty.

14

Special CD/CD+G player features

Track Skip

The Track Skip feature lets you quickly locate the beginning of any track on a CD, including the track currently playing. You can use Track Skip when a CD is playing or stopped.

If a CD/CD+G is playing:

- Repeatedly press **SKIP UP** or **SKIP DOWN** to skip backward or forward to the beginning of the desired track.
- If the CD/CD+G is stopped or paused, repeatedly press **SKIP UP** or **SKIP DOWN** button until the system displays the number of the required track then press **PLAY/PAUSE**. The CD/CD+G player starts playing the selected track.

Programmed play

You can only programme the CD/CD+G player in the CD stop mode to play up to 16 tracks in any required order, and you can programme the same track to play more than once.

Programming and playing a sequence of tracks

1. Repeatedly press **STOP** until the system displays the total number of tracks.
2. Press **MEMORY** button. The **MEMORY** indicator will flash and "Pr" will flash in the display
3. Press **SKIP** buttons to select the desired track.
4. Press **MEMORY** button to store the selected track.
5. Repeat step 3 and 4 to programme up to 16 tracks.

Note: You cannot store more than 16 tracks in memory. If you try to program a 17th track, the system will not store that or subsequent tracks in memory.

6. Press **PLAY/PAUSE** button to play the programmed tracks. The first track number appears in the display. The **MEMORY** and **PLAY** indicators will illuminate.
7. Programmed play automatically stops at the end of the last programmed track.

Reviewing a programmed sequence

Whilst a programmed track is playing, repeatedly press **SKIP** to review the remaining programmed sequence.

Adding tracks to a programme

To add tracks to a programme, when playback is stopped, press **MEMORY** button and repeat step 3 and 4 to select and store the new tracks.

Erasing a programmed sequence

You can do any of the following to erase a programmed sequence:

- In Stop mode, press **STOP** button.
- Press **OPEN/CLOSE** before or after programmed play.
- Press **POWER**. The **POWER** indicator extinguishes.

11

Specifications

Power Output RMS (at 10% THD)	3 Watts total
Play Frequency Response (at +/-3 dB)	125-8000 Hz
Signal To Noise	65 dB
Dynamic Range	More Than 80 dB
Speaker	4-inch full range speaker
Microphone (Monaural) Impedance	600 Ohm
Power Source	AC~230V / 50Hz
Dimensions (HWD)	330 x 230 x 200mm

We continue to improve upon our products and therefore specifications are subject to change without prior notification.

15