

Goodmans

User's Manual

IPOD DOCKING SPEAKER
MODEL NO.GCR1873i



Keep this manual for future reference

CONTENTS

● Function Description.....	1
● Declaration.....	1
● About the speaker.....	2
Keys and ports of the product.....	2
Keys of the remote controller.....	4
● Basic functions.....	5
Power on.....	5
Play.....	5
TUNER.....	5
IPOD.....	6
USB.....	6
AUX.....	6
Pause.....	7
Stop.....	7
Skip-/Skip+ select.....	7
Volume+/-.....	7
REPEAT.....	7
EQ.....	7
Mbass.....	7
Sleep setting.....	7
Clock.....	8
Alarm setting.....	9
● Troubleshooting.....	11

Introduction

Thank you for purchasing this new generation multi-functional speaker!

This product is equipped with multiple functions.

It deserves the name of “Masterpiece” due to its high sound quality, reliable performance and wonderful industrial design.

May you enjoy great joys and furs from this product.

The speaker integrates powerful functions with exquisite workmanship.

Main features:

- Built-in FM radio
- FM (87.5-108MHz)
- MW (520-1710KHz)
- USB playing
- AUX external input
- IPOD playing
- IPOD video output
- Sleep
- Clock
- Alarm
- Sound effects: STUDIO,ARENA,MONITOR,CLUB,FLAT
- The unit can provide the backup battery for the time memory, the unit will not lose the time display when power off, usually the maximum of memory time is 6 days after powering off.

Precautions:

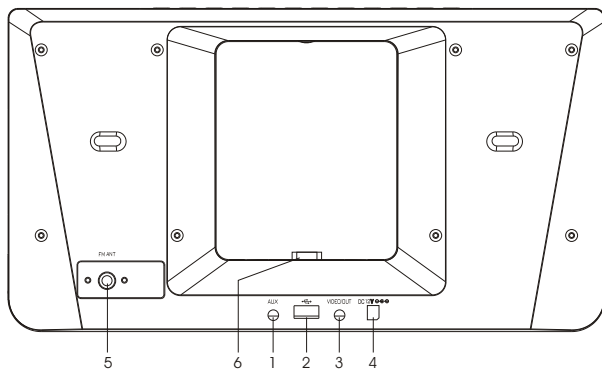
Firstly, thank you for using this digital composite speaker.

For correct use of it, please carefully read through the operation manual before use.

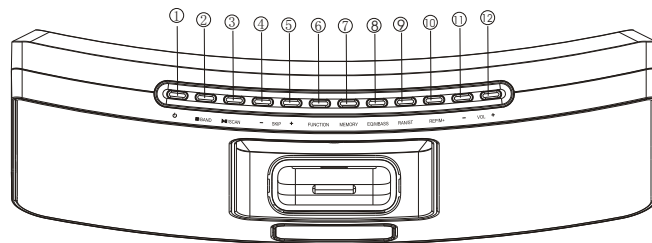
Our company reserves the right to make changes on the contents of this manual, properties and functions of the product without prior notice.

For better performance of the product, please do not use it under extreme high or low temperature, humidity, or in the place with much dust. Particular attention shall be paid to following situations:

- 1.humid or underwater environment
- 2.heater or high temperature environment
- 3.exposed to direct sunlight
- 4.Environment apt to fall down
- 5.Do not disassemble the product by yourself to avoid loss of the right to warranty.



- 1.AUX: External sound source input
- 2.USB: USB port
- 3.VIDEO/OUT: IPOD video output
- 4.DC 12V: DC output cord
- 5.FM ANT: FM antenna port
- 6.IPOD: IPOD jack



Keys, ports and their functions:

- ① POWER: Power On/Off
- ② STOP/BAND: Stop/band select
- ③ PLAY/PAUSE/SCAN: Play/pause/scan stations
- ④ SKIP-: Previous
- ⑤ SKIP+: Next
- ⑥ FUNCTION: Function shift
- ⑦ MEMORY: Memory key
- ⑧ EQ/MBASS: Sound effect/bass effect select
- ⑨ RAN/ST: Random play/ Shift of tracks
- ⑩ REP/M+: Play mode select/memorized station select
- ⑪ VOL-: Volume decrease
- ⑫ VOL+: Volume increase



Functions of remote controller keys:

- | | |
|---------------------------------------|--|
| ① POWER: Power On/Off | ⑫ REV: Previous/fast backward |
| ② AL1: Alarm setting 1 | ⑬ FWD: Next/fast forward |
| ③ AL2: Alarm setting 2 | ⑭ M+:Memory +/- select previous item on menu |
| ④ MUTE: Soundless | ⑮ M-: Memory-/select next item on menu |
| ⑤ 1-0: digit keys | ⑯ FUNCTION: Function shift |
| ⑥ INPUT: Input key | ⑰ ENT: Ent |
| ⑦ SLEEP: Sleep setting | ⑱ MENU: Menu |
| ⑧ MEM/SET: Memory/clock setting key | ⑲ VOL+: Volume increase |
| ⑨ RAN/ST: Random play/shift of tracks | ⑳ PLAY/PAUSE/SCAN: Play/pause/scan station |
| ⑩ REPEAT: Play mode | ㉑ STOP/BAND: Stop/band select |
| ⑪ MBASS: Mbass key | ㉒ EQ: sound effect setting |
| | ㉓ VOL-: Volume decrease |

- **Power on:** After plugging the DC12V transformer into the port on the back of the product, the screen lights up and time is displayed on the screen. Press POWER key to power it on.
- **Play**

1.TUNER: Directly enter FM TUNER state after power on.

(MW operation is same as that of FM.)

Manual radio station searching or direct input: Press SKIP-, SKIP+ to search radio stations manually, or press INPUT key on remote controller to input directly the radio frequency (e.g. input 0875 for 87.5 MHz)

Automatic scan: Long press SKIP-, SKIP+ key for more than 2 seconds to enter automatic searching radio station mode and it automatically stops when a radio station is searched out.

Fully automatic scan: Long press PLAY/PAUSE/SCAN key for more than 2 seconds for fully automatically searching radio stations It will scan from low to high frequency for local radio stations with strong signal and save the station automatically. During scanning, it pre-plays for 3 seconds and shows number of the station and frequency it saves.

Press STOP/BAND key to shift between FM/AM.

Select a memorized station: Press REP/M+ key on the player panel to shift to the radio stations it memorizes.

Press M+ or M- to select the desired station.

2. IPOD: In the state of FM or AM, short press FUNCTION to shift to IPOD function. At the time, plug IPOD into IPOD port to play IPOD music.

Video play: Connect TV video cable to VIDEO OUT jack, and plug IPOD into IPOD port, open TV OUT on the video file. While playing video file at this time, corresponding video pictures will be displayed on TV screen. The product outputs the sound of the movie normally.

3. USB: In stop state of IPOD, short press FUNCTION to shift to USB function. Insert USB disk into USB port. At the time, if it reads content, “no” will be displayed. After successfully reading, it displays “on”. Press PLAY/PAUSE/BAND to start playing the music via USB.

4. AUX: In stop state of USB, short press FUNCTION to shift to AUX function. At the time, insert external sound source (e.g. MP3, CD) into AUX port on the back of the product to enjoy the music from AUX. (Make sure that external sound source is in Play state.)

- **Pause function:** In play state of USB or IPOD, short press PLAY/PAUSE/BAND for a pause of playing.
- **Stop function:** In play or pause state of USB or IPOD, short press STOP key to stop playing.
- **Music select:** In play state of USB or IPOD, short press SKIP-/SKIP+ for previous/next music.
- **Volume:** In state of play or pause, short press VOL+ or VOL- for volume increasing or decreasing, ranging from 00-30.
- **REPEAT function:** In state of play or pause of IPOD, short press REPEAT for selection of play mode, such as normal, repeat one, repeat all.
- **EQ:** In any state of play/pause/stop, short press EQ/MBASS for mode selection with the sequence of STUDIO, ARENA, MONITOR, CLUB and FLAT.
- **Mbass function:** In any state of play/pause/stop, long press EQ/MBASS key to turn on MBASS function. At the time, “MBASS” is displayed on LCD. Press EQ/MBASS key again to cancel the function of MBASS.
- **Sleep setting:** In any state of play/pause/stop, short press SLEEP key on the remote controller to set sleep time for SLEPP00, SLEEP10, SLEEP20, SLEEP30, SLEEP40, SLEEP50, SLEEP60, SLEEP70, SLEEP80, SLEEP90.

● **Clock setting: (3 methods)**

1. During playing press POWER key to enter STAND By state.

At the time, time is displayed. After pressing MEM/SET key on the remote controller, “Hour” flashes on LCD. Press Skip- or Skip+ to adjust “Hour”. After pressing MEM/SET key again, “Hour” on LCD stops flashing to display the digit confirmed. And then “Minute” flashes. Press P Skip- or Skip+ to adjust “Minute”. Press MEM/SET key again to confirm setting and returns back to time display state.

2. During playing, after pressing MEM/SET key on the remote controller, “Hour” on LCD flashes. Press INPUT on remote controller, LCD will display “ : ”, and then directly press digit keys on the remote controller to input the time desired.

For example, input 0830 for 8:30. This product adopts 12-hour system. Please input 20:30 for 8:30 pm. After completing inputting, return back to time display state.

3. During playing press POWER key to enter STAND By state, time is displayed. After pressing MEMORY key on the remote controller, “Hour” on LCD flashes. Press Skip- or Skip+ to adjust “Hour”. After pressing MEM/SET key again, “Hour” on LCD stops flashing to display the digit confirmed. And then “Minute” flashes. Press Skip- or Skip+ to adjust “Minute”. Press MEM/SET key again to confirm setting and returns back to time display state.

Alarm function:

•Alarm time setting: (2 methods)

1. Press POWER key to enter STAND By state. After long pressing AL1 on the remote controller, “Hour” on LCD flashes. Press Skip- or Skip+ to adjust “Hour”. After pressing AL1 again, “Hour” on LCD stops flashing to display the digit confirmed. And then “Minute” flashes. Press Skip- or Skip+ to adjust “Minute”. Press AL1 key again to confirm setting and returns back to time display state. During alarm time setting, alarm icon flashes.

2. Press POWER key to enter STAND By state. After long pressing AL1 on the remote controller, “Hour” on LCD flashes.

Press INPUT on remote controller, LCD will display “ : ”, and then directly press digit keys on the remote controller to input the alarm time desired. For example, input 0830 for 8:30.

This product adopts 12-hour system. Please input 20:30 for 8:30 pm. After completing inputting, return back to time display state. (AL2 setting is same as that of AL1)

In any mode, the Alarm Volume can not be set up and changed.

- **Alarming mode setting:** In STAND BY state, short press AL1 to select an alarming mode, the available modes in sequence are alarming state, IPOD state, TUNER state and cancel alarming. (After alarming time is set, it will alarm only when an alarming status has been selected)
- **Enable snooze function:** When it keeps alarming, press any key (except POWER, VOL+ and VOL- keys) to turn on snooze function. “SNOOZE” will be displayed on LCD.
- **Cancel snooze function:** When SNOOZE is being displayed on LCD, short press POWER key to cancel snooze function. At the time, SNOOZE disappears from the LCD.

Troubleshooting

1.No power supply

Solution: Please make sure the power socket is in good condition.

2.No music played out

Solution: Make sure it is in play state and volume is not at 00 level.

Specifications:

Supporting to play IPOD format	1 G- 60G
Frequency	20Hz~20KHz
SNR	≥60dB
Max. distortion	≤20%
Power supply input	DC 12V
MW sensitivity	≤70dB
FM sensitivity	≤18dB

Attachment:

- 1.Users' Manualx1
- 2.FM Antennax1
- 3.VDE type adaptorx1
- 4.Remote controllerx1
- 5.IPOD Transformable switch x6