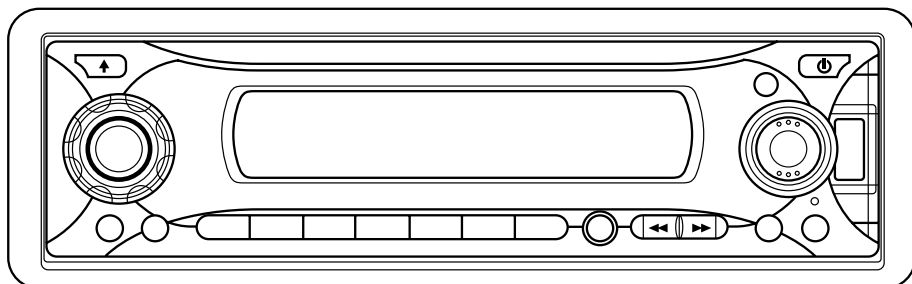


Goodmans

INSTRUCTION MANUAL



Model GCE 7205USB3 In Car Radio Compact Disc Player



CONTENTS

Accessories.....	Page 3
Important Notes	Page 4
Precautions and Maintenance	Page 5
Installation/Precautions.....	Page 6
Removing and Attaching the Trim Ring	Page 7
Using the Detachable Front Panel	Pages 8 - 9
Wiring Identification	Page 10
ISO Plug Connections.....	Pages 11 - 12
Identification of Controls and Functions.....	Pages 13 - 27
Aerials and Aerial Fitting	Page 28
Radio Reception	Page 28
Radio Interference.....	Page 29
Trouble Checks and Trouble Shooting.....	Pages 30 - 31
Specifications.....	Page 32

MULTIPATH DISTORTION / MUTING

Please note: An integrally mounted screen aerial may give rise to increased multipath distortion or spurious muting of the audio output. This is normal and to be expected. The use of an externally mounted rod aerial may reduce or possibly eliminate such problems.

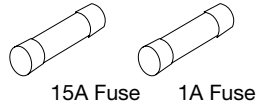
Most screen aerials require a 12 volt supply to operate correctly. Please check that this has been connected the +12 volt antenna wire of your radio. If you are in any doubt of this connection please contact the vehicle dealer or Goodmans installation helpline.

**IMPORTANT: Do not forget to remove the transit screws on top of the unit.
Before removing the fixing cage and installing the unit.
Failure to do so will result in the CD not playing.**

ACCESSORIES

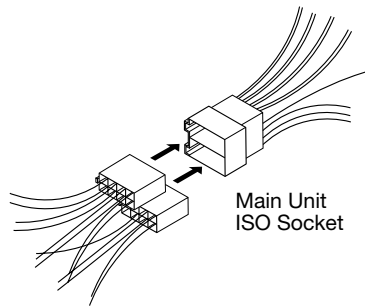
Please retain the carton and packing materials, as this is the best protection for the unit should it be necessary to return it for servicing.

- (1) 1 x 1 Amp fuse (spare fuse for + 12 volt supply wire of the unit).
- 1 x 15 Amp fuse (spare for memory).

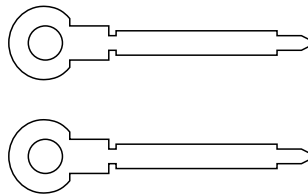


- (2) 2 x ISO Plug Connector

For use when ISO plugs are not used on your vehicle



- (3) 2 x Release key



PLEASE READ THIS BEFORE CONNECTING THE PLAYER TO THE VEHICLE

IMPORTANT NOTES

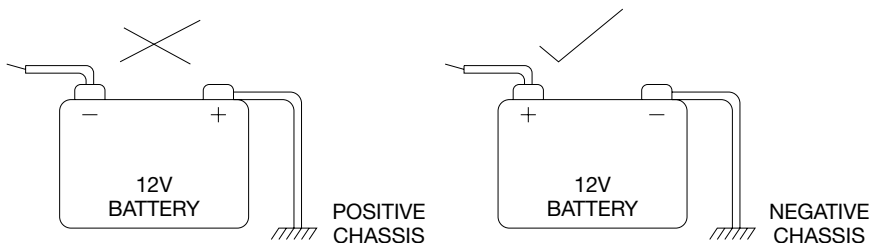
Prior to final installation carry out a sound check. If high distortion or intermittent sound is experienced it is possible that the wiring to the car's electric is poor, or that the battery needs recharging.

If the battery and its charging circuit are OK, then rewire the red fused wire of the player directly to the positive terminal (+) of the car battery. Car accessory shops stock the connector blocks and the 15 Amp cable which may be necessary for extending the fuse wire connection.

EARTHING: Make sure that the black wire on the wiring harness is connected to a good earthing point on the car. If the chassis of the car is used as an earthing point, make sure that the paint is scraped clean from the metal work before attaching the wire to it. It is preferable to connect the black earthing wire directly to the negative terminal (-) of the car battery.

WARNING: POLARITY.....

This model is only suitable for use in vehicles which have a negative earth system. e.g.: The negative terminal of the car battery is connected to the chassis.



Connecting The Speakers And Power Cables

Before you wire your system, disconnect your vehicle battery's positive (+) cable. This helps prevent damage in case of a short. When you complete the wiring, reconnect the battery cable and test your car stereo.

Note: Check with your vehicles handbook or dealer before disconnecting the vehicle battery in case the alarm or other electronics in your vehicle requires special attention.

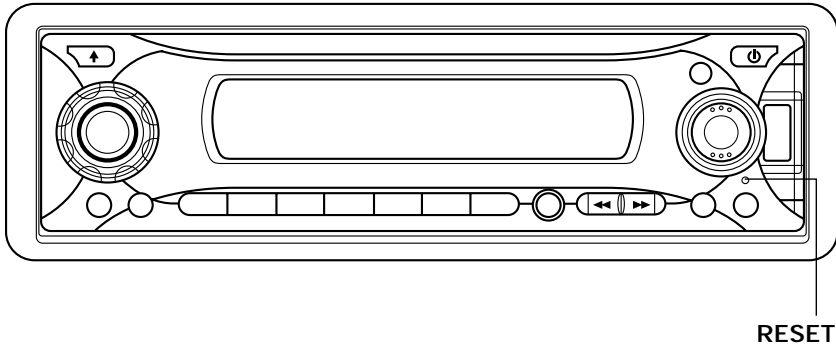
When connecting your car stereo's black ground wire, be sure to connect the wire to a metal part of your vehicle or preferably to the negative (-) terminal of the car battery.

PRECAUTIONS AND MAINTENANCE

- This unit is designed for negative ground 12V DC operation only. The equipment can be used safely, if the negative terminal of the battery is connected to the vehicle metal work.
- Do not use speakers of impedance less than 4 ohms; and do not allow the speaker wires to be shorted together when the unit is switched on. Otherwise it may overload or burn out the power amplifier stage.
- If the car interior is extremely hot, as after being parked in the sun, do not use the player until the car has been driven for a while to cool off the interior.

IMPORTANT

After installing the unit, switch on the power to the unit and press the RESET button using a pen or thin match stick.



Caution Vauxhall owners:

Vauxhall do not follow normal ISO wiring convention which may cause Goodmans radios' to lose the radio preset memories each time the ignition switch is turned off. To prevent such occurrences swap over the Red ignition and Orange Memory wires in the bullet connectors attached to the wiring harness of the car radio.

INSTALLATION/PRECAUTIONS

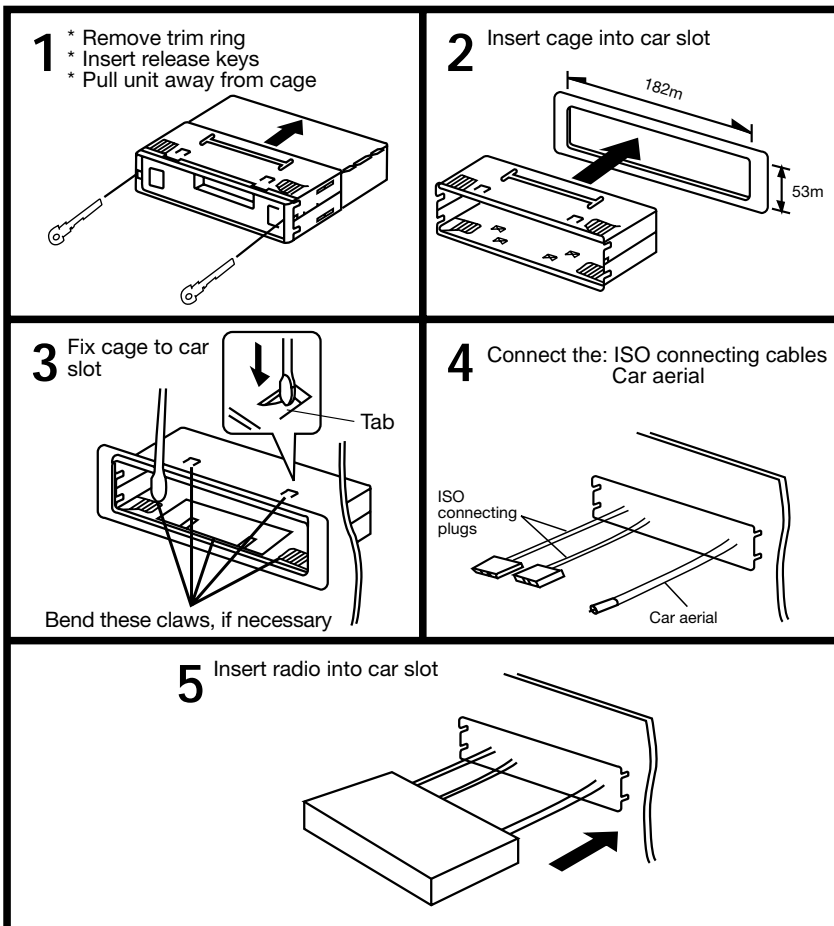
- Choose the mounting location carefully so that the unit will not interfere with the normal driving functions of the vehicle.
- Avoid installing the unit where it would be subject to high temperatures, such as from direct sunlight or hot air from the heater, or where it would be subject to dust, dirt or excessive vibration.
- Use only the supplied mounting hardware for a safe and secure installation.
- Be sure to remove the front panel before installing the unit.

Mounting angle adjustment

Adjust the mounting angle to less than 20°.

MOUNTING EXAMPLE

Installation in the dashboard



Note:

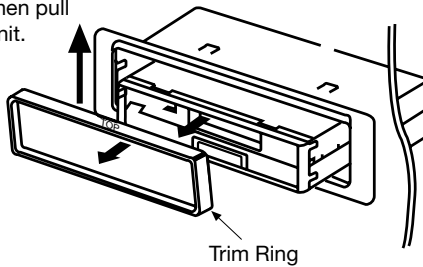
Keep the release keys in a safe place as you may need them in future to remove the unit from the car.

REMOVING AND ATTACHING THE TRIM RING

This model can be fitted to DIN E or ISO style dashboard slots. The clip on trim ring is prefitted to the front of the unit for this purpose.

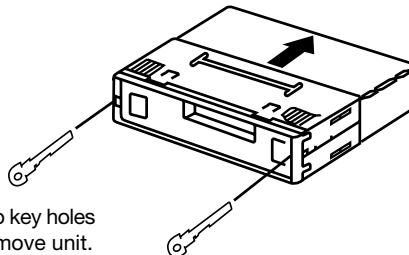
- It will be necessary to remove the trim ring:
 - a. To allow the radio to be fitted to an ISO style dashboard slot.
 - b. To gain access to the keyhole slots for removal of the unit from the car slot/fixing cage.
- To remove the trim ring first remove the front panel from the radio (press the open button and remove the front panel).
- Using your fingers lift the trim ring at its top centre and pull the ring towards you/away from the main unit.
- The trim ring can only be fitted to the main unit one way only. A removable label with TOP printed on it is placed on the top of the ring to indicate the correct placement of the ring. Simply position the trim ring over the front of the main unit and push fit the trim ring on to the unit.

Lift up and then pull away from unit.



REMOVING THE PLAYER FROM THE DASHBOARD/FIXING BRACKET

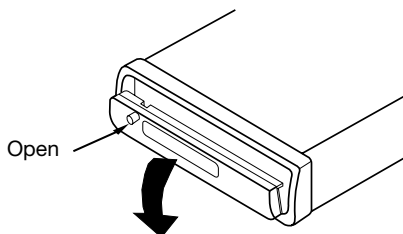
- Remove the front panel from the main unit.
- Lift off the trim ring and remove from the main unit.
- Insert the supplied release keys into the key slots located on the left and right sides of the unit. Ensure that the keys are fully pressed into the slots.
- Pull on both of the release keys to remove the unit from the fixing bracket/car slot.



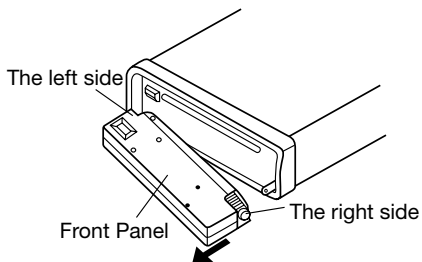
USING THE DETACHABLE FRONT PANEL

To Detach the Front Panel

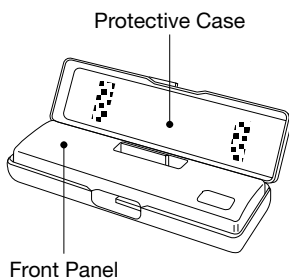
1. Press the **↑** (OPEN) button, then the front panel will fold down.



2. To remove the front panel, lift it up at a little angle from horizontal position, then first pull out the right side and then pull out the left side.

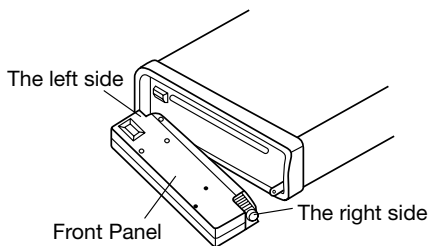


3. For safekeeping, store the front panel in the supplied protective case immediately after being removed.

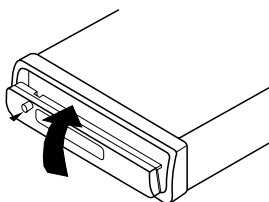



To Reinstall the Front Panel

1. To install the front panel, first insert the left side into proper position then insert the right side into place.



2. When the two sides fixed into place, push the front panel back up into main unit.

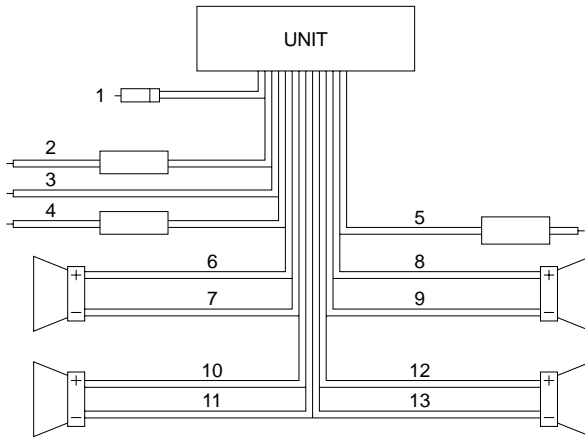


3. Note: If the front panel fails to lock in position properly, the control buttons may not function and the display may be missing some segments. Press the  button and then reinstall the front panel again.

Precautions when Handling

1. Do not drop the front panel.
2. Do not put pressure on the display or control buttons when detaching or reinstalling the front panel.
3. Do not touch the contacts on the front panel or on the main unit body. It may result in poor electrical contact.
4. If any dirt or foreign substances are adhered on the contacts, remove them with a clean and dry cloth.
5. Do not expose the front panel to high temperatures or direct sunlight.
6. Keep any volatile agents (e.g. benzene, thinner, or insecticides) away from the surface of the front panel.
7. Do not attempt to disassemble the front panel.

WIRING IDENTIFICATION



REAR VIEW OF PLAYER

- | | |
|--|---|
| 1) AERIAL INPUT SOCKET | 8) FRONT RIGHT POSITIVE: WHITE |
| 2) BATTERY: RED +12 VOLT IGNITION | 9) FRONT RIGHT NEGATIVE: WHITE WITH BLACK STRIPE |
| 3) GROUND: BLACK - | 10) REAR LEFT POSITIVE: BROWN |
| 4) MEMORY: ORANGE PERMANENT +12 VOLT | 11) REAR LEFT NEGATIVE: BROWN WITH BLACK STRIPE |
| 5) AUTO AERIAL: ORANGE/WHITE | 12) REAR RIGHT POSITIVE: YELLOW |
| 6) FRONT LEFT POSITIVE: GREY | 13) REAR RIGHT NEGATIVE: YELLOW WITH BLACK STRIPE |
| 7) FRONT LEFT NEGATIVE: GREY WITH BLACK STRIPE | |

RECOMMENDED MINIMUM LOUDSPEAKER POWER RATINGS

Front loudspeakers minimum power ratings 2 x 30 Watts RMS (2 x 60 Watts Music)
Rear loudspeakers minimum power ratings 2 x 30 Watts RMS (2 x 60 Watts Music)

TWO SPEAKER WIRING

If you intend to use only two speakers with this radio select either front or rear wiring

INSTALLATION NOTES

(APPLICABLE TO BOTH 2 AND 4 SPEAKER CONNECTION)

This radio contains two separate power amplifiers, to prevent possible damage to these amplifiers please ensure:

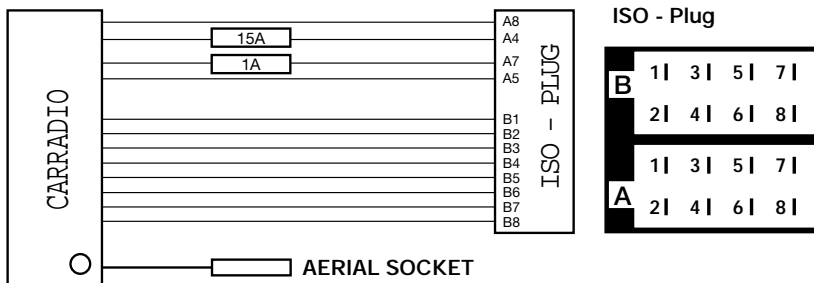
- 1) The vehicle chassis is not used as a loudspeaker earth (-ve return).
- 2) Front and Rear loudspeaker connecting wires are not joined together.
- 3) Any wires not used when completing a two speaker installation are fully insulated.
- 4) The memory wire (Orange) is connected to a permanent +12V supply.
- 5) The power wire (Red) is connected via the ignition switch of the vehicle.

Note: Before turning the unit ON for the first time after installation please ensure the RESET button is pressed to reset the microprocessor. For location see page 13.

IMPORTANT NOTE

If after directly connecting the unit via the vehicles ISO connector plugs it does not appear to work (fails) to power up disconnect the orange lead bullet connector and reconnect to the twin bullet connector socket on the red wire. Try the unit again it should power up and can be used normally. Note this phenomenon is most frequent in Volkswagen/Audi vehicles.

ISO PLUG CONNECTIONS



Block A: This plug is used for power supply connections only.

Block B: This plug is used for connecting the loudspeakers.

- If your vehicle is not fitted with an ISO connector but just bare wire, then simply connect the supplied ISO plug to bare wire connector A and B to the radio's ISO socket and connect the bare wire ends to the vehicles loudspeakers according to the wiring codes as shown below. Make sure all connections and any unused wires are insulated to prevent shorting.
- ISO Connector pin A6 (Car Light Illumination) is not used on this player.

ISO-PLUG A

ISO	Function	Colour
A4	+12 Volt memory	Orange
A5	+ 12 Volt Auto. Antenna	Orange/White
A7	+12 Volt Power	Red
A8	Earth (Ground)	Black
A6	Car light (Illumination)	---

ISO-PLUG B

ISO	Function	Colour
B1	Speaker right rear +	Yellow
B2	Speaker right rear -	Yellow with black stripe
B3	Speaker right front +	White
B4	Speaker right front -	White with black stripe
B5	Speaker left front +	Grey
B6	Speaker left front -	Grey with black stripe
B7	Speaker left rear +	Brown
B8	Speaker left rear -	Brown with black stripe

Recommended minimum Loudspeaker Power Ratings

Front and Rear Loudspeakers minimum power ratings 4 x 30 Watts RMS.

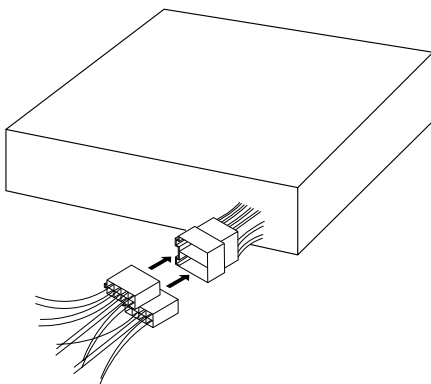
Two Speaker Wiring

If you intend to use only two speakers with this radio select either front or rear wiring in accordance with the power handling of the speakers fitted to your vehicle, when installing connect as per the instructions given on page 10 - 11.

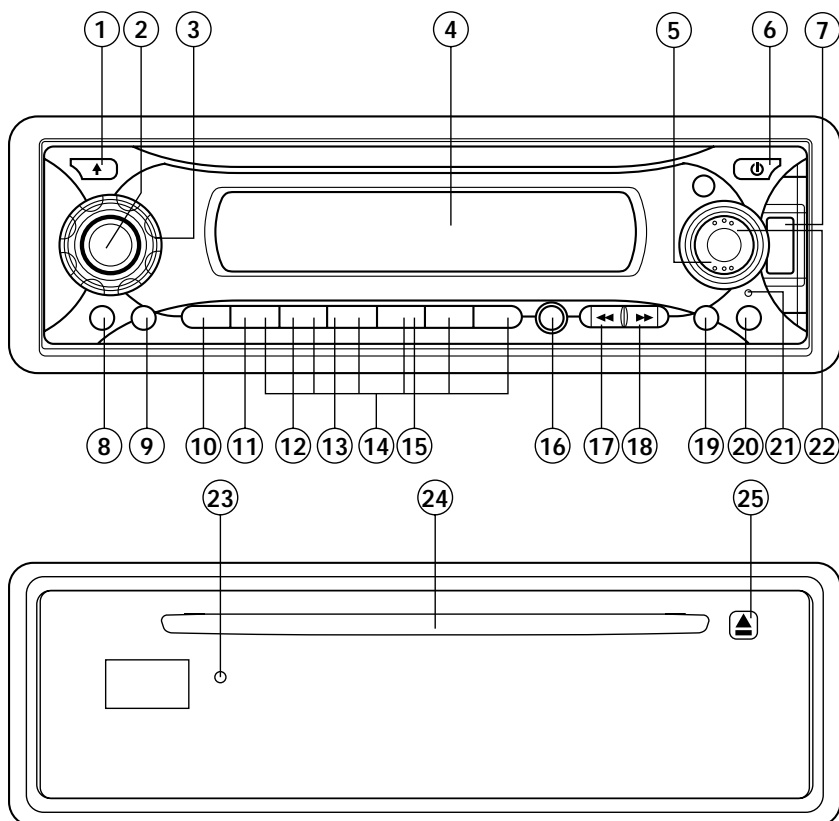
If bare wires are to be used, use the two supplied ISO plugs into the ISO socket of the car radio.

The plugs are handed and will only fit one way.

Connect the bare wires ends in accordance with the instructions given on page 10.



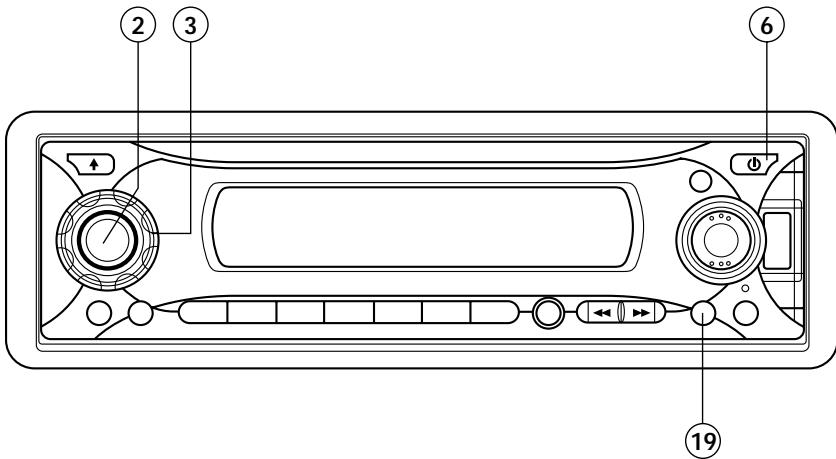
IDENTIFICATION OF CONTROLS AND FUNCTIONS



FUNCTION KEYS

- | | |
|---|--------------------------|
| 1. Open Button | 13. Disc Repeat Button |
| 2. Select Button | 14. Preset Buttons |
| 3. Volume Control Knob | 15. Disc Shuffle Button |
| 4. Display | 16. Mode Button |
| 5. PTY Button | 17. TUN/TRK Down Button |
| 6. Power Button | 18. TUN/TRK Up Button |
| 7. USB interface | 19. Band/Loudness Button |
| 8. Equalization Button | 20. TA Button |
| 9. Display Button | 21. Reset Button |
| 10. Auto Memory Store/Program Scan Button | 22. AF Button |
| 11. Disc Pause Button | 23. Flashing LED |
| 12. Disc Scan Button | 24. Disc Slot |
| | 25. Eject Button |

CONTROLS



1. Power button (POWER) (6)

Press to turn the player ON or OFF.

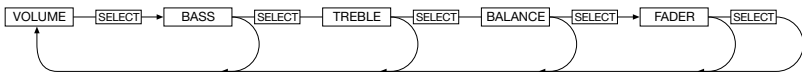
Note: To turn off press and hold for several seconds.

2. Volume Control Knob (3) / Select button (SEL) (2)

The Volume, Bass, Treble, Balance and Fader functions are electronic and are selected for adjustment by this button. The function defaults to the volume setting which can be increased/decreased by rotating the Volume Control Knob (3).

To adjust the Bass, Treble, Balance or Fader functions press the SEL button (2) repeatedly until the desired function is shown in the display. Rotate the Volume Control Knob (3) to adjust the desired function. The display will show the amount by which the function has been altered.

If no adjustments are made within 4 seconds of pressing the SEL button (2), the player will store the selected value and will automatically return to normal/Volume setting.

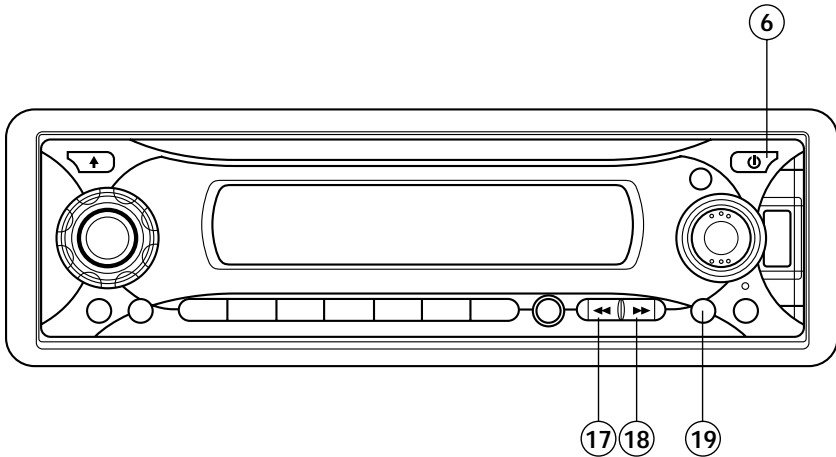


3. Loud ON/OFF (19)

Press and hold, (BND, LOU) (19) button for more than 2 seconds, until the Display shows "LOUD ON".

To turn loud off press and hold BND,LOU (19) button until the display shows "LOUD OFF".

Radio reception AUTOMATIC TUNING (SEEK)



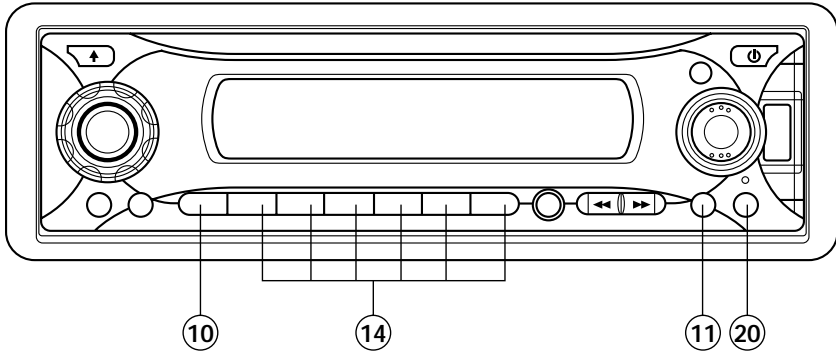
1. Press the POWER button (6) to turn on the unit.
2. Press BND/LOU (FM/MW/LW) (19) to select the desired band, FM1, FM2, FM3, MW or LW.
3. Press TUN/TRK UP (▶▶) (18) or TUN/TRK DOWN (◀◀) (17).
The unit will automatically seek a station up or down the band and stop when a station is tuned in.
When many stations are received the automatic tuning will stop frequently.

MANUAL TUNING

1. Press the POWER button (6) to turn on the unit.
2. Press BND/LOU (19) to select the desired band, FM1, FM2, FM3, MW or LW.
3. Press and hold TUN/TRK UP (▶▶) (18) or TUN/TRK DOWN (◀◀) (17) for more than 2 seconds until "Manual" is shown in this display. Then press TUN/TRK UP (▶▶) (18) or TUN/TRK DOWN (◀◀) (17) repeatedly to tune to your desired station.

Note: The Player will return to automatic tuning using if left for approximately 5 seconds.

MEMORY PRESET TUNING



Auto Station Preset (AS/PS Function)

- Select FM1, FM2 or FM3 band.
- Press and hold the AS/PS button (10) for more than 2 seconds.
- The 6 strongest available stations will be automatically saved in the memory on preset button 1 - 6 (14).

Notes:

- a. The complete band will be scanned and as each strongest station is received it will automatically be placed in the preset 1-6 memory locations.
- b. Any stations that were entered into the AS/PS memory before the AS/PS operation commenced will be erased or repositioned after AS/PS operation has been completed.
- c. If the radio has been set for TA mode (TA is shown in the display) the AS/PS will only search for the first 6 stations that are broadcasting TA/TP/RDS data. Press the TA button (20) until TA is no longer shown in the display to search for the first 6 stations, irrespective of if they are broadcasting TA/TP/RDS data.
- d. When there are less than 6 different stations in your area then the AS/PS will not memorize any stations into the remaining preset memory locations.
- e. AS/PS will not operate on MW or LW band.

Manual Preset Memory

1. Press BND/LOU button (19) to select band required FM1, FM2, FM3, MW or LW.
2. Tune to the desired radio station.
3. Press and hold the desired preset memory button (14) 1-6 until a beep is heard. The station has now been entered/memorised into the selected preset position.

To Hear a Preset Station

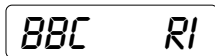
Select desired band and press the appropriate preset button (14) 1-6 into which the station has previously been stored.

RDS reception OVERVIEW OF THE RDS FUNCTION

The following functions are available with this unit using the RDS data system.

Station Name Display

Displays the station name in the display window.



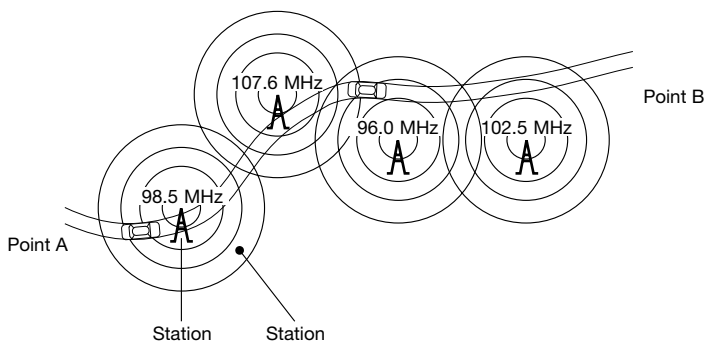
Automatic Re-tuning-AF function

Re-tunes to a stronger signal station in the same broadcasting network automatically using the PI and AF data.

The illustration below shows an example: four stations of the same broadcasting network and a driver passes through from the point A to B.

The reception frequency of the station in the network changes from 98.5 MHz through 102.5 MHz as the driver passes through each transmitter.

By using the AF function, the driver can keep listening to the programme in the same broadcasting network without retuning operation while driving from the point A to B.

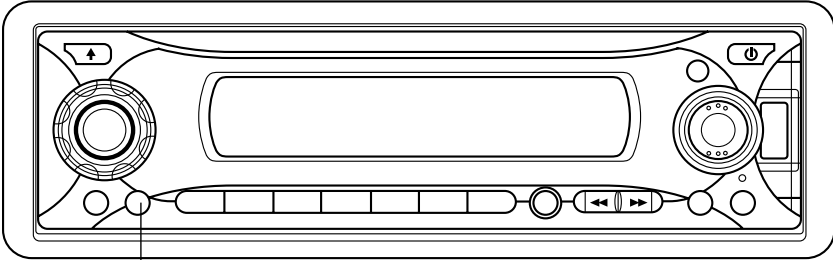


Traffic information Reception - TA function

Searches and stands by for a traffic information station using the TP and TA data.

By this function, the unit automatically monitors the station and changes its mode to the traffic selecting information reception when the broadcast starts even whilst listening to CD playback.

STATION NAME DISPLAY



Note: Station name will only show when listening to a station on the FM band.

- 1. Tune in a desired FM station using the automatic or manual tuning methods.**
If the received station is transmitting RDS data. In a few seconds, station name will be displayed.

Notes

- RDS data can be received only on the FM band. It cannot be received on the MW or LW band.
- The RDS functions of this unit cannot be used if the received FM station is not transmitting the RDS data and may not work properly in area without RDS transmission.

To change the display to frequency or programme type name

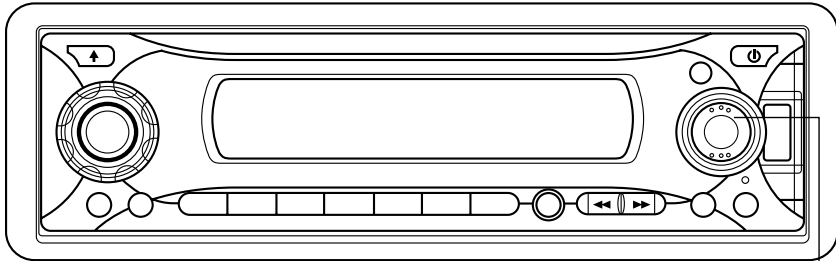
Press DSP (Display) (8)

Press DSP (8) to change the display as follows:

Station name display → Clock → Frequency display → Program type display

If the RDS station is not transmitting the PTY (program type) or CT (Clock) data, programme type or clock will not be shown in the display.

AF function AUTOMATIC RE-TUNING



Note: Auto Re-tuning will only operate on FM band.

1. Tune to a desired RDS station using the automatic or manual tuning methods.
2. AF function is switched ON/OFF by pressing the AF button (22).

When RDS is displayed, AF function is switched on. If no AF data is received, the AF symbol blinks.

How the AF function works?

In AF mode, the radio measures at regular intervals the signal strength at frequencies that are mentioned in the list of Alternative Frequencies (AF's) of the current station. If an alternative frequency is found, it switches immediately to the new frequency if the quality of the current station becomes suddenly very poor, or if its RDS data cannot be received. The quality of a station is a function of signal level as well as multipath condition. Note: In areas of severe multipath reception this may cause noise or the AF function to constantly change. Should this occur then switch off the AF function. Try using the AF function later.

Regional

Press AF button (5) longer than 2 seconds (until the radio beeps.)

Displays shows REGIONAL Mode status and allows switching the REGIONAL Mode ON/OFF. The current state of the REGIONAL Mode is indicated by a message "REG ON" or "REG OFF". Which is displayed for 4 seconds after the AF button (5) is pressed. To check whether an Alternative Frequency is a real Alternative for the current station, the radio compares PI codes. (Programme Identity)

Regional Mode is ON: The PI codes must be exactly identical.

Regional Mode is OFF: The Region identification code in the PI code is ignored.

When regional mode is OFF, the radio may switch from a National Programme to a local variant of that Programme, or from a local station in one area to a local station of an other area. When Regional Mode is ON, the radio will only switch to an alternative that broadcasts exactly the same programme. For best performance it is recommended that the Regional function remains turned off.

CT FUNCTION (CLOCK TIME)

This software incorporates a real time clock which is updated from the RDS signal.

When a station is tuned in the unit will decode the incoming clock data and after approximately 2 minutes will display the correct time when the DSP button is pressed. Press DSP once-CT displayed; DSP twice-Programme type; DSP three times-Frequency display.

After 5 seconds the display will revert to station name display.

Note: Some stations do not transmit a PTY or CT information and therefore the clock display may not be available.

INFO- function TRAFFIC INFORMATION RECEPTION

TA FUNCTION IMPORTANT NOTE

This product incorporates the latest RDS software as such the following points apply.

1. If TA is already selected and the programme selected from a preset memory does not transmit Traffic information, the TP symbol (TP) shown in the display will flash and a beep will sound every 30 seconds indicating that traffic information will not be received whilst listening to this programme/station. The Audible beep sound can be disabled by pressing the TA button (20) thus switching TA off.
2. Whilst listening to a NON TA (Traffic information) programme/station the TA function is switched ON, the unit identifies that the user requires traffic information and automatically re-tunes to the next available TA transmitting station.
3. If the station selected is not acceptable, alternative TA transmitting stations can be selected by leaving TA switched on and using Auto/Manual or PTY tuning methods.

“Please note that TP (RDS symbol for TA) will show in the display when you are tuned to a station which is capable of broadcasting Traffic information.”

Note: If the Regional function is on, a regional station with traffic announcement is received.

1. If the radio is in CD mode, it switches temporarily to Radio mode, and the display will show the Programme Service name of the received station.
2. If the volume is set to a low level, it will be raised to a preset level.
3. The TA symbol blinks during reception of a TA broadcast.

At the end of the traffic announcement, the original function is restored again. For example, CD will start again if listening to CD when the TA broadcast commenced. If the user has not changed the volume setting. It is restored to the level before the traffic announcement. If the volume level was changed, during the traffic announcement, the new level will be retained.

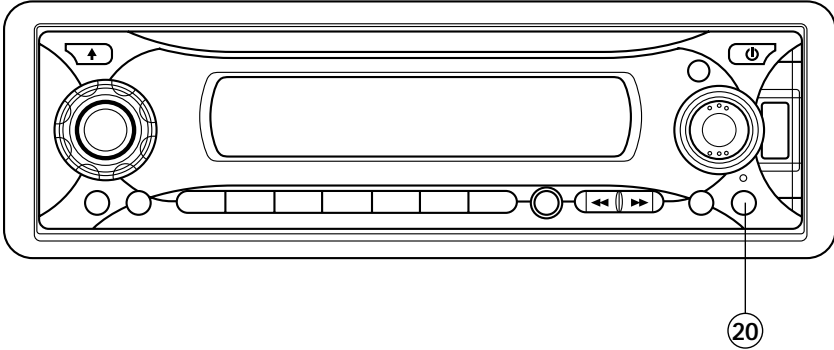
E.O.N. (Enhanced Other Network)

1. When a traffic announcement is detected via EON, the radio will switch to the linked programme transmitting the traffic announcement. The radio will remain at least 4 seconds on this programme before switching back to the original programme. AF mode is disabled during an EON traffic announcement.

Note: TA reception can be adjusted to receive local or local + long distance announcements. To select local press and hold TA button, until EON TA LO shows in the display, for local + long distance press and hold until EON TA DX shows in the display.

TRAFFIC INFORMATION RECEPTION

While Listening to CD Playback



1. Press TA button (20) while playing back a CD.
"TA" appears on the display window, while playback continues.

When a traffic information broadcast starts.

"TA" starts flashing. The CD playback stops and the traffic information will be heard.

PTY (PROGRAMME TYPE) DATA RECEPTION

1. Press PTY button (5) to switch PTY mode on.

When PTY mode is switched on and the current station does not transmit a PTY code or transmits a different PTY code, a search is started for the chosen code and the PTY icon blinks.

2. When search tuning is started while PTY is on, the radio stops only at stations that is transmitting the user selected PTY code.

The selected PTY code is stored.

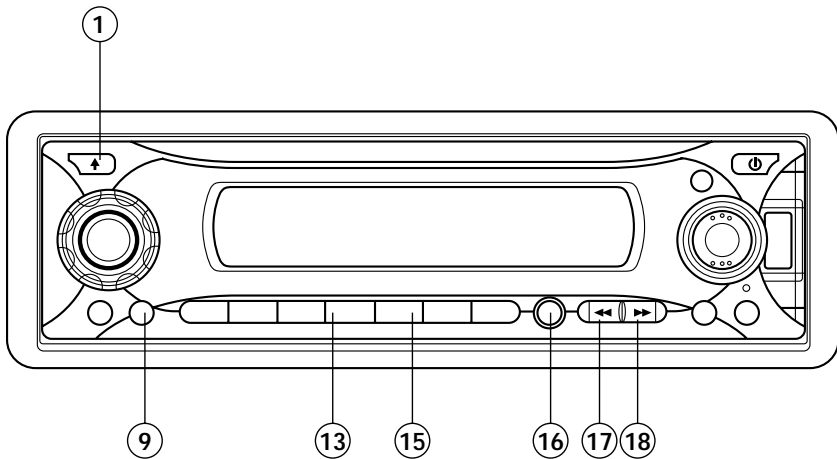
How to select the PTY code Figure 4 shows how to select a programme type. Only one programme type can be selected.

Press Button	Display will show	Press Preset Button	Press Once	Press Twice	Press Three Times
PTY	POP	1	POP M	ROCK M	
		2	EASY M	LIGHT M	
		3	CLASSICS M	OTHER M	
		4	JAZZ M	COUNTRY M	
		5	NATION M	OLDIES M	
		6	FOLK M		
	NEWS	1	NEWS	AFFAIRS	INFO
		2	SPORT	EDUCATE	DRAMA
		3	CULTURE	SCIENCE	VARIED
		4	WEATHER	FINANCE	CHILDREN
		5	SOCIAL	RELIGION	PHONE IN
		6	TRAVEL	LEISURE	DOCUMENT

Figure 4

PTY code is always enabled. The radio will always respond to a PTY message even when the PTY is not selected.

CD OPERATION



1. Playing a CD Disc

- Press OPEN button (1) and insert a disc label side upward.
- Disc playback will automatically commence.
- To Skip Up/Down tracks briefly press TUN/TRK up/down buttons (17) or (18).
- To search through a track press and hold TUN/TRK up/down buttons (17) or (18). Release the button to return to normal playback.
- Press the DSP (Display) button (9) during disc play to show disc current playtime for 5 seconds.

2. CD Shuffle (plays current disc in a random order)

- Press the SHF button (15) for more than 2 seconds. The display will show SFD and the tracks on the current disc will be played in a random order.
- Press SHF button again to return player to normal mode.

3. CD Repeat (repeat 1 track)

Press the RPT button (13) to repeat one track continuously, RPT will show in display. Press RPT button again to return the player to normal playback.

MP3 OPERATION

SAFETY FIRST: Some of the navigation function controls on this player **MUST NOT** be used whilst driving a vehicle as this entails close examination of the radio display and will distract your attention from the more important function of driving the vehicle safely. Therefore when driving we strongly recommend that the Skip Up and Down buttons are used to search through the disc.

MP3 Format discs supported:

- Variable bit rates and bit rates up to 320kbps.
- ID3 Tag Version 1.
- ISO 9660 levels 1 & 2 for playback compatibility. This standard allows the playback of the following disc formats:
 1. Up to 8 Directories maximum per disc.
 2. Up to 255 files/folders.
 3. Maximum number of characters for file names (ID3 Tags) 30.
 4. Maximum number of characters for folder names 28.
 5. Characters usable for file names A thru to Z and 0 to 9.

MP3 FORMATS NOT SUPPORTED

- All so called Drag and Drop methods of compiling discs such as “Direct CD”, “In CD”.
- Finalised / formatted CDRW discs cannot be played.

IMPORTANT: If a mixed mode (audio / Wav and MP3 data files) compilation discs are burned on a disc this player will not recognise or play the mp3 files.

PLAYING MP3 CD'S

After loading a disc the player looks at the total number of files on the disc. Several seconds later playback will commence automatically with the first track.

Press the Skip Up or Down buttons to locate and play other tracks on the disc.

Note: The Preset buttons 5 & 6 on the front panel of the player can be used to skip up/down directories.

FINDING FILES BY NAME

An alternative method of locating a track / file is to locate it by name (provided the disc has been compiled with names written for each of MP3 file). This method of searching will locate any files beginning with the letter that is inputted. Press the AMS/MP3 button twice and the display will show “*”. Now rotate the volume control until the first letter of the file is shown in the display. Next press the SEL button and then rotate the volume knob until the 2nd letter of the file is shown. Press the SEL button. In this manner keep on entering in the file name. When completed press the LOUD/ENTER/BAND button to start the search for the file. If a file matches the string entered playback of this file will commence.

Another method is to use the button on the front panel to enter the file name. Refer to KEY ASSIGNMENT chart below and enter the 1st letter of the file to be located.

Example: To locate track / file named APPLE.

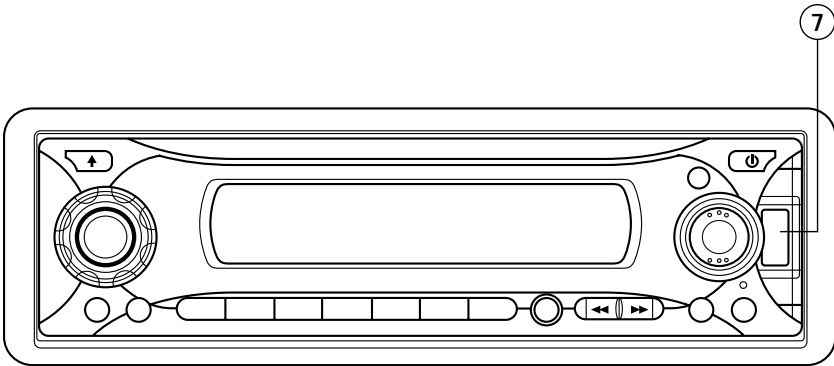
- press M1 preset button repeatedly until “A” shows in the display, then press the SEL button.
- press M6 button for “P” then press the SEL button.
- press M6 button for “P” and press SEL button.
- press M4 button repeatedly until “L” is shown in the display then press SEL button.
- press M2 button repeatedly until “E” is shown in the display.
- Finally press the LOUD/ENTER/BAND button to search for the APPLE file.
- If found the APPLE file will be played.

AMS	Mode Select
BND/LOUD or BAND/LOUD	ENTER
M1	A, B, C, 1
M2	D, E, F, 2
M3	G, H, I, 3
M4	J, K, L, 4
M5	M, N, O, 5/10 TRACK DOWN
M6	P, Q, R, 6/10 TRACK UP
MODE	S, T, U, 7
TUN/TRK DOWN	V, W, X, 8
TUN/TRK UP	Y, Z, SPACE, 9
SEL	CHARACTER SHIFT RIGHT
DSP or DISP	_, -, +, 0
AUDIO ADJUST	CHARACTER SELECT
VOLUME KNOB	(A, B.....8, 9, 0)

DISP (Display) BUTTON

Press the DSP button to show the track / file name (ID3 tag label) each time the DISP button is pressed the display will show: Song name, Artist, Album. This information will only show if a TAG exists on the files which have been previously entered when the disc was compiled on a PC. The display button will also show the Radio frequency and Clock time etc.

USB PLAY OPERATION



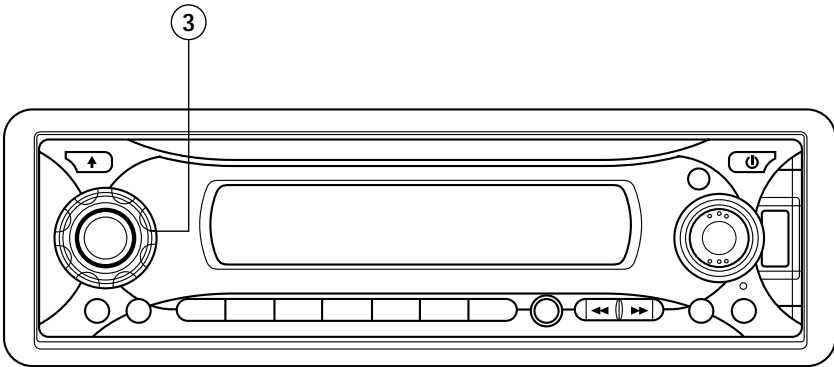
Insert a USB player into the USB interface socket (7). The USB player should then go to MASS STORAGE DEVICE mode. The player will then search the USB player for any MP3/WMA files and will start playback of these files automatically.

The operation of this mode is identical to MP3/WMA CD as described above.

USB memory stick

One 64MB USB memory stick is provided with this Goodmans GCE 7205USB USB Car Radio. Download MP3/WMA files by connecting the USB memory stick to a PC. The USB memory stick can then be used as a removable device and files can be copied to the USB memory stick by using Windows Explorer.

RECORD OPERATION



This unit provides record function. In radio, or CD-playback mode, press TA (REC) button (20) briefly to activate RECORD mode. The unit will record files to the connected USB device. The file name of the track will be displayed on the unit during recording.

AERIALS AND AERIAL FITTING

The normal standard telescopic aerial is designed to be used fully extended. If any segments are damaged or missing this will result in a deterioration of the radio reception. It is important to keep the aerial clean which will prevent corrosion and subsequent high resistance occurring within the segments which will lead to noisy or poor reception.

NOTE: Special aerial cleaning fluid is available from most garages and car radio specialists.

The ISO connector is supplied with a wire for use with an electrically powered aerial. Each time the radio cassette player is turned on +12 Volts appears on this wire. This wire must only be connected to the +12 Volt input terminal of the relay supplied with an electric aerial (refer to the instructions supplied with the aerial). When the aerial has been fitted correctly it will automatically extend when the power control of the radio cassette player is turned on, and will retract when turned off. This type of aerial is excellent against vandalism if you are prone to forgetting to retract your manual type aerial.

When fitting an aerial always try to sight the aerial as far away from the engine electric as possible, this will ensure that any ignition interference is kept to a minimum. Always make sure that the aerial is secured to a paint/underseal/rust free surface.

RADIO RECEPTION

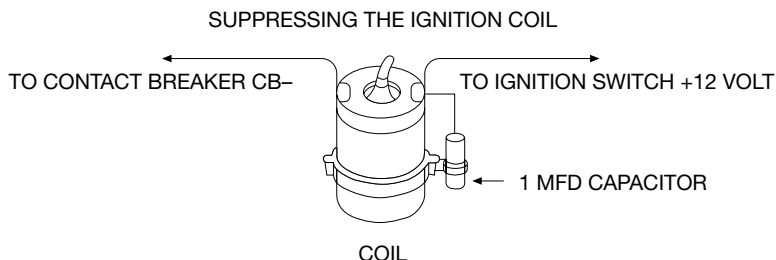
FM BAND: FM (Frequency Modulated) transmissions are far superior in sound quality than AM (Amplitude Modulated) transmissions (MW, LW).

The signal can be affected by many factors such as car ignition, tall buildings, metal objects such as cranes or gasometers, hills, trees, wet weather, hot weather etc. In general, an increasing amount of noise and interference will be picked up by the radio the further away it is from the transmitter. When driving through built up areas or along a motorway, the FM reception may be patchy, this is due to the signal being momentarily blocked or reduced by an object and then reappearing when the object has been passed, this is heard as a shushing noise and is unfortunately unavoidable.

AM BAND: AM (amplitude modulated), the receiver is capable of receiving Medium Wave (MW) and Long Wave (LW) bands. These signals may be received over very long distances because the transmitting signal will bend around the curvature of the earth. These transmissions are affected by similar factors to the FM band, but in addition to this the reception will alter as night falls. The ionised layer in the upper atmosphere changes at night and allows more distant signals to be reflected back down to the earth. Subsequently more stations will appear on the waveband and this may cause tuning difficulties or co-channel interference (where 2 or more stations occupy the same frequency on the waveband). If the interference is severe, retuning to an alternate frequency (The BBC often use more than 1 frequency) or selecting and tuning into a different waveband may be necessary.

RADIO INTERFERENCE

In the event that your player suffers from interference from your vehicles ignition or charging system, please read carefully the guidance given below. It should be noted that in the majority of cases, interference is mostly caused by a missing or defective device or the ignition HT leads are worn or are of poor quality.



The ignition circuit consists of the coil, distributor, spark plug leads, and spark plugs, all of these components pass very high voltage and unless they are screened or suppressed will cause electrical interference to the radio. This can occur in any of the following ways:

- a. Travel along the +12 Volt supply cable to the radio or
- b. As a radio frequency which is received by the car aerial and processed as a signal or
- c. By both points a and b shown above.

Before replacing or adding any suppression devices or filters, check carefully that the car aerial and screened lead are not damaged and that the radio cassette player is properly earthed and tuned to the correct frequency. As radio interference can be caused by many factors, locating the exact cause of the problem can often be very difficult, and trouble shooting is usually best left to a professional car radio installer, or to the main agent of your vehicle.

If you decide to try and cure the problem yourself, the large array of suppression kits/devices currently available from high street motor factors or your vehicles main agent may be confusing you. Each type of device is designed to filter out electrical interference at specific frequencies it is unfortunately trial and error, if one device works and another does not, therefore you may have to try several different types of filters before you have any success. Instructions on fitting the filters etc. are usually supplied with the kits.

Another source of interference is the alternator or dynamo, this can cause a whining noise relative to the engine speed. The alternator/dynamo should be fitted with a 2.2 MFD capacitor which should be connected between the +B lead (usually the thickest lead) and the car chassis or body of the alternator.

TROUBLE SHOOTING

The following indicator appears.

E1, E2, E3	Press the RESET button. If this indicator still appears after pressing the RESET button, consult the Goodmans product information helpline.
------------	--

BEFORE SET REMOVAL

1	Take out the disc.	If a disc remains in the CD player, the disc or set may be seriously damaged in transportation.
2	Turn off the power switch.	

CAUTION:

Metal parts of this unit (especially on the back) become quite hot during operation, be careful to avoid touching parts immediately after removing the unit.

TROUBLE SHOOTING

The following checks will assist in the correction of most problems which you may encounter with your unit. Should any problem persist after you have made these checks consult the Goodmans product information helpline on 0870 873 0080.

Before going through the check list first refer back to the connection and operating procedures.

Symptom	Cause	Solution
No power.	The car's ignition switch is not on.	If the power supply is connected to the car's accessory circuits, switch the ignition key to "ACC".
	The fuse is blown.	Replace the fuse with another 15A or 1A fuse.
Disc will not play.	You are trying to put in the compact disc up-side down.	Insert the compact disc with the label side facing up.
	The compact disc is extremely dirty or defective disc.	Clean the compact disc, try to play a new one.
	The temperature in the car is too high.	Cool off the inside of the car, then try again.
	Condensation.	Leave the disc player off for an hour or so, then try again.

Symptom	Cause	Solution
No sound.	Adjust the volume control.	Adjust the sound to the level you want.
	Unit is not connected properly.	Double check the connections.
	The connection cords are not connected properly.	Check the speaker cords and the other connection cords.
The operation keys do not work.	The built-in microcomputer is operating incorrectly.	Remove the compact disc, then insert it again. Press the reset button.
Sound skips.	The installation angle is greater than 30°.	Adjust the angle to less than 30°.
	The disc player is not correctly secured.	Fasten the disc player securely.
Sound skips.	The compact disc is extremely dirty or defective disc.	Clean the compact disc, try to play a different disc.
	Condensation.	Leave the disc player off for an hour or so, then try again.
The sound quality is poor.	The compact disc is defective.	Try another disc. If that disc plays properly, the first disc is defective.
	The compact disc is dirty.	Clean the disc.
The radio does not work. The radio station automatic selection does not work.	The aerial cable is not connected.	Insert the aerial cable solidly.
	The signals are too weak.	Select a station manually.

SPECIFICATIONS

GENERAL

Power Supply Requirements	: DC 12 Volts, Negative Ground
Chassis Dimensions	: 178 (W) x 160 (D) x 50 (H)
Weight	: Net 1.7 Kg. Gross 2.0 Kg.
Tone Controls	
- Bass (at 100 Hz)	: ± 10 dB
- Treble (at 10 KHz)	: ± 10 dB
Maximum Output Power	: 4 x 20 Watts RMS (4 x 40 Watts Music)
Current Drain	: 15 Ampere (max.)

CD PLAYER

Signal to Noise Ratio	: More than 55 dB
Channel Separation	: More than 45 dB
Frequency Response	: 40 Hz - 18 KHz

RADIO

FM

Frequency Coverage	: 87.5 to 108 MHz
IF	: 10.7 MHz
Sensitivity (S/N = 30 dB)	: 3 µV
Stereo Separation	: > 30 dB

MW

Frequency Coverage	: 522 to 1620 KHz
IF	: 450 KHz
Sensitivity (S/N = 20 dB)	: 32 dBu

LW

Frequency Coverage	: 144 to 288 KHz
IF	: 450 KHz
Sensitivity (S/N = 20 dB)	: 35 dBu