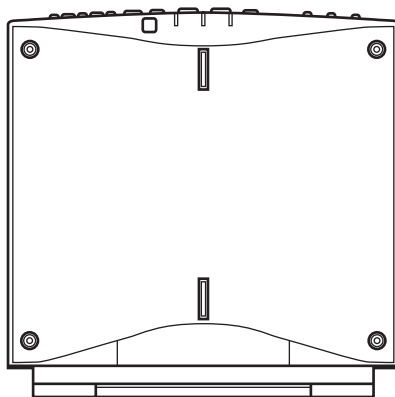
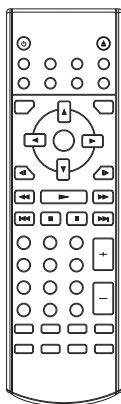


Goodmans

INSTRUCTION MANUAL



Model GCE 5007DVD
In Car
DVD Player
with Monitors



023286



Features

Compatible with PAL DVD and NTSC DVD

This player can play discs recorded in either PAL or NTSC format.

- L/R stereo analog audio outputs.

Use This Product Safely

Use the Proper Power Supply

This product is designed to operate with a 12 volt DC, negative ground battery system (normal in an English car).

When Driving

Please position the screen away from the view of the driver and does not distract their attention while driving. Failure to do this may result in the driver being prosecuted for driving without due care and attention.

Protect the Disc Mechanism

Avoid inserting any foreign objects into the slot of this player. Failure to observe this may cause malfunction due to the precise mechanism of this unit.

Use Authorized Service Centers

Do not attempt to disassemble or adjust this precision product.

When Parked

Parking in direct sunlight can produce very high temperatures inside your vehicle. Allow the interior to cool before starting playback.

CONTENTS

Safety Information	4
Disc Notes	5
Installation	6
The Player	10
Cables Supplied	13
Electrical Connection	15
Remote Control	17
Location and Function of Keys.....	17
Preparing the Remote Control.....	19
Loading/Ejecting a disc	19
Loading a disc	19
Ejecting a disc	19
Operation	20
Basic Play	20
On-Screen Display	21
Multi-audio Language	22
Menu	22
Title Menu	22
Subtitle Language	22
Multi-angle	22
Setup	23
Setup Menu	23
General Setup.....	23
Speaker Setup.....	25
Audio Setup.....	25
Preferences Setup	26
Defaults Table.....	28
Trouble Shooting	29
Specifications	31

SAFETY INFORMATION

CAUTION:

THIS PORTABLE DVD PLAYER IS A CLASS I LASER PRODUCT. HOWEVER THIS MOBILE DVD PLAYER USES A VISIBLE/INVISIBLE LASER BEAM WHICH COULD CAUSE HAZARDOUS RADIATION EXPOSURE IF DIRECTED. BE SURE TO OPERATE THE PORTABLE DVD PLAYER CORRECTLY AS INSTRUCTED. USE OF CONTROLS OR ADJUSTMENTS OR PERFORMANCE OF PROCEDURES OTHER THAN THOSE SPECIFIED HEREIN MAY RESULT IN HAZARDOUS RADIATION EXPOSURE. DO NOT OPEN COVERS AND DO NOT ATTEMPT TO REPAIR YOURSELF. REFER SERVICING TO QUALIFIED PERSONNEL.

WARNING:

- TO REDUCE THE RISK OF FIRE OR ELECTRIC SHOCK, DO NOT EXPOSE THIS EQUIPMENT TO RAIN OR MOISTURE.
- TO REDUCE THE RISK OF FIRE OR ELECTRIC SHOCK, AND INTERFERENCE, USE ONLY THE RECOMMENDED ACCESSORIES.
- THIS DEVICE IS INTENDED FOR CONTINUOUS OPERATION.

This product incorporates copyright protection technology that is protected by method claims of certain U.S. patents and other intellectual property rights owned by Macrovision Corporation and other rights owners. Use of this copyright protection technology must be authorized by

Macrovision Corporation, and is intended for home and other limited viewing uses only unless otherwise authorized by Macrovision Corporation. Reverse engineering or disassembly is prohibited.

Region Management Information

This Portable DVD Player is designed and manufactured to respond to the Region Management Information that is recorded on a DVD disc. If the Region number described on the DVD disc does not correspond to the Region number of this Portable DVD Player, this Portable DVD Player will not play the disc.

DISC NOTES

Disc formats supported by this player



DVD
12 cm disc
(Single-sided disc only)



CD
12 cm disc

Discs which cannot be played with this player

- DVD-ROM
- DVD-R/ DVD-RAM
- CD-G

Handling and Cleaning

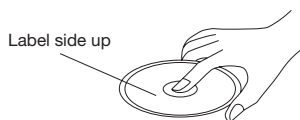
- Dirt, dust, scratches and warped discs may cause misoperation.
- Do not place stickers or make scratches on discs.
- Do not bend discs.
- A disc should always be kept in its case when not in use to prevent damage.
- Do not place discs in the following places:
 1. Direct sunlight.
 2. Dirty, dusty and damp areas.
 3. Near car heaters.
 4. On the seats or dashboard.

Disc Cleaning

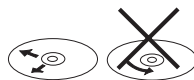
Use a dry soft cloth to wipe the surface. If the disc is quite dirty, use a soft damp cloth. Never use solvents such as benzine, thinner or conventional record cleaners as they may damage the surface of the disc.

Note:

A disc may become scratched (although not enough to make it unusable) depending on how you handle it and conditions in the usage environment. Note these scratches are not an indication of any problem with the player.



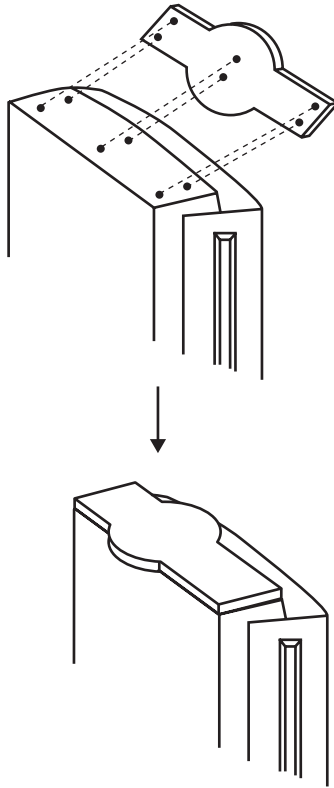
Do not touch the underside of the disc



Wipe the disc from center toward the outside edge

INSTALLATION

A base stand is supplied with this unit. Use the supplied screws to attach the base to the unit.



INSTALLATION

Separated

The bag contains three separated parts which can be combined together .

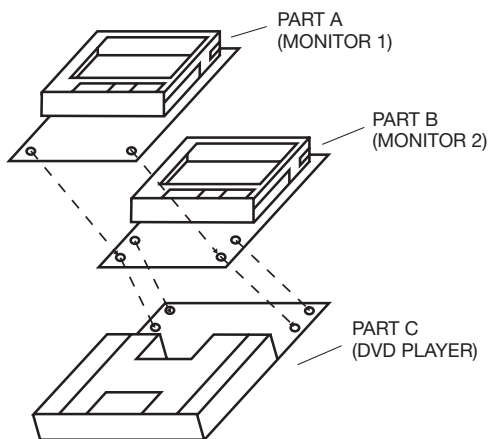


Fig A

Combined

When combined, the whole bag can be used as a carrying case.

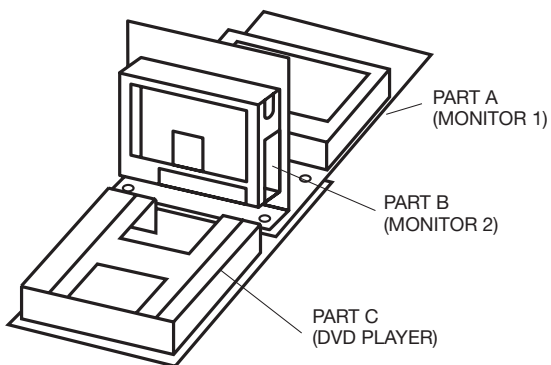


Fig B

INSTALLATION

There are two straps on the rear of the monitor. Pass the straps through the monitor bag (fig C), then attach to the headrest (fig D).

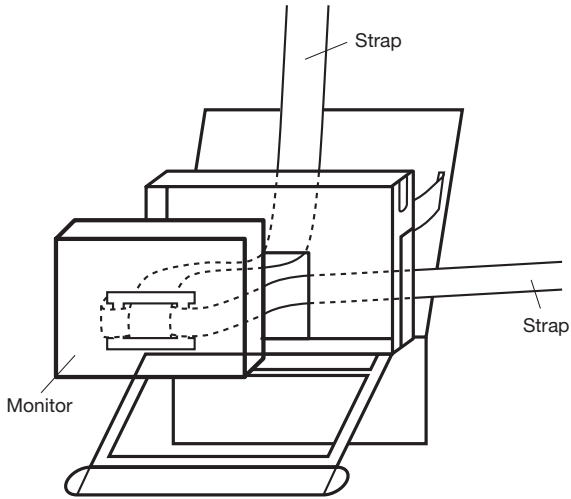


Fig C

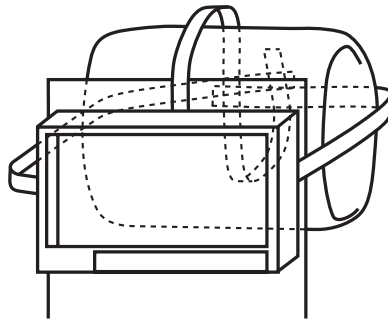


Fig D

INSTALLATION

Insert the DVD player into part C of the bag as shown in fig. E.

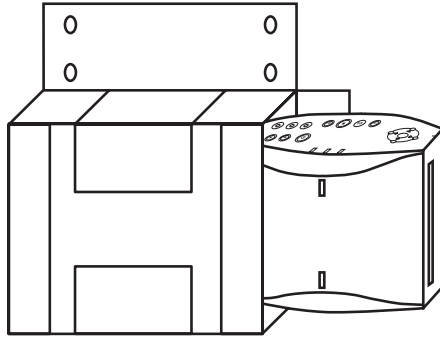
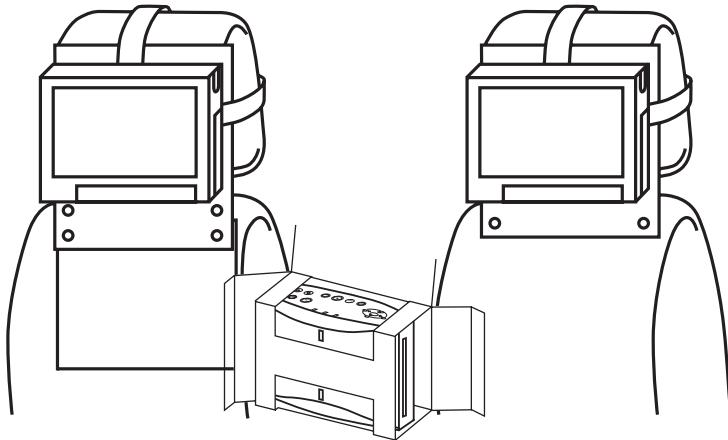


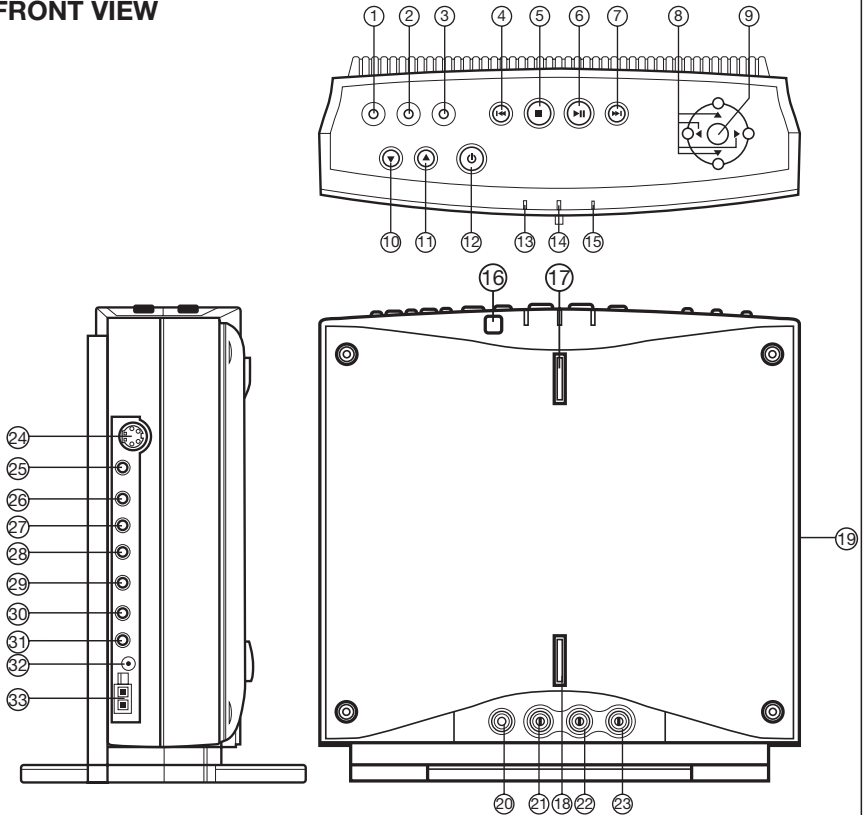
Fig E

Attach the cables between the DVD player and monitors (see pages 13-16).



THE PLAYER

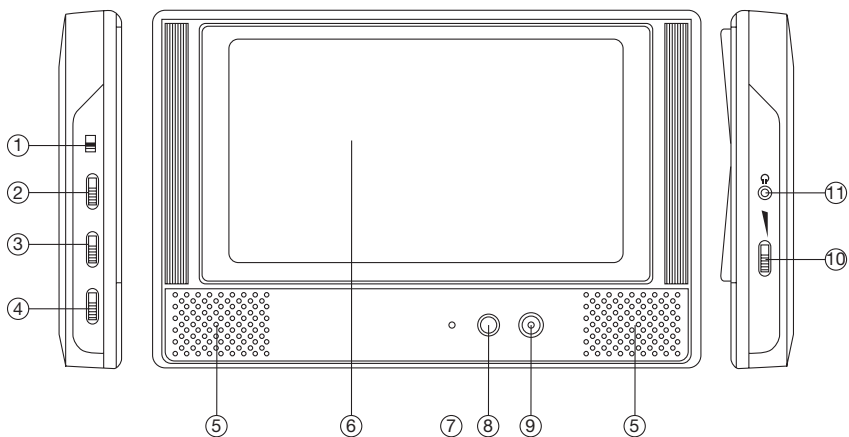
FRONT VIEW



1. AUDIO
2. SETUP
3. MODE
4. PREV(◀◀)
5. STOP (■)
6. PLAY/PAUSE(▶▶)
7. NEXT(▶▶)
8. ◀/▶, ▲/▼ cursor buttons
9. ENTER
10. VOLUME ▼
11. VOLUME ▲
12. ⏻ POWER
13. Indicator Light for AV1
14. Indicator Light for DVD
15. Indicator Light for AV2
16. Remote Sensor
17. EJECT

18. COVER OPEN
19. Disc Slot
20. Earphone socket
21. VIDEO INPUT 1 socket
22. AUDIO L INPUT 1 socket
23. AUDIO R INPUT 1 socket
24. S-VIDEO socket
25. DIGITAL AUDIO socket
26. VIDEO 1 OUTPUT socket
27. AUDIO OUTPUT L/R socket
28. VIDEO 2 OUTPUT socket
29. REMOTE Socket
30. VIDEO INPUT 2
31. AUDIO INPUT L/R 2
32. DC 12V OUT Socket
33. DC 12V IN Socket

LOCATION AND FUNCTION OF KEYS



1. 16:9/4:3 selector
2. Colour Control Knob
3. CONTRAST Control Knob
4. BRIGHTNESS Control Knob
5. Speakers
6. 6.2 inch color TFT LCD

7. Power Indicator Light
8. IR (Remote Sensor)
9. POWER
10. Volume Control Knob (adjusting the volume level of the earphone)
11. Ω Socket for Earphone

1. 16:9/4:3 SELECTOR

Slide the 4:3/16:9 switch (1) on the side of the monitor to select appropriate TV aspect ratio (16:9 or 4:3).

2. COLOUR

Rotate the COLOUR Control Knob (2) to increase or decrease the colour of the screen display.

3. CONTRAST

Rotate the CONTRAST Control Knob (3) to increase or decrease the contrast level of the screen display.

4. BRIGHTNESS

Rotate the BRIGHTNESS Control Knob (4) to increase or decrease the screen brightness.

5. SPEAKERS

There are two speakers (5) on the front of the monitor.

6. TFT LIQUID CRYSTAL DISPLAY

7. POWER INDICATOR LIGHT

When the system is on, the indicator light (7) will be illuminated.

8. REMOTE SENSOR

When the remote plug from the monitor is connected to the DVD player, the IR sensor on the monitor will forward any IR sensor commands received to the DVD player, therefore allowing the remote control from the DVD player to be pointed at the screen instead of being pointed at the DVD player.

9. ⏻ (Power)

Press button (9) to turn on/off the unit.

10. VOLUME CONTROL KNOB

Rotate the knob (10) to change the volume.

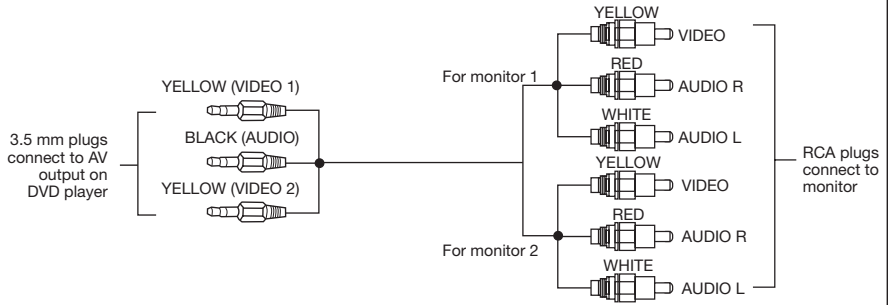
11. SOCKET FOR EARPHONE

Insert earphones to the earphone socket, the sound to the speakers will be cut.

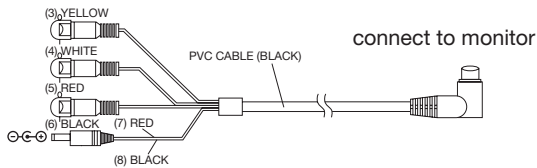
CABLES SUPPLIED

Before connecting the cables please identify each cable using the guide below. Please see next page for connections.

Audio/Video(AV) Cable



Monitor Power Cable



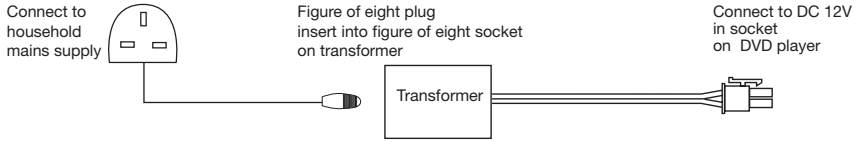
Scart Adaptor Cable

This cable can be used to connect the DVD player to a TV with a scart socket. DVDs can then be viewed on the TV.



CABLES SUPPLIED

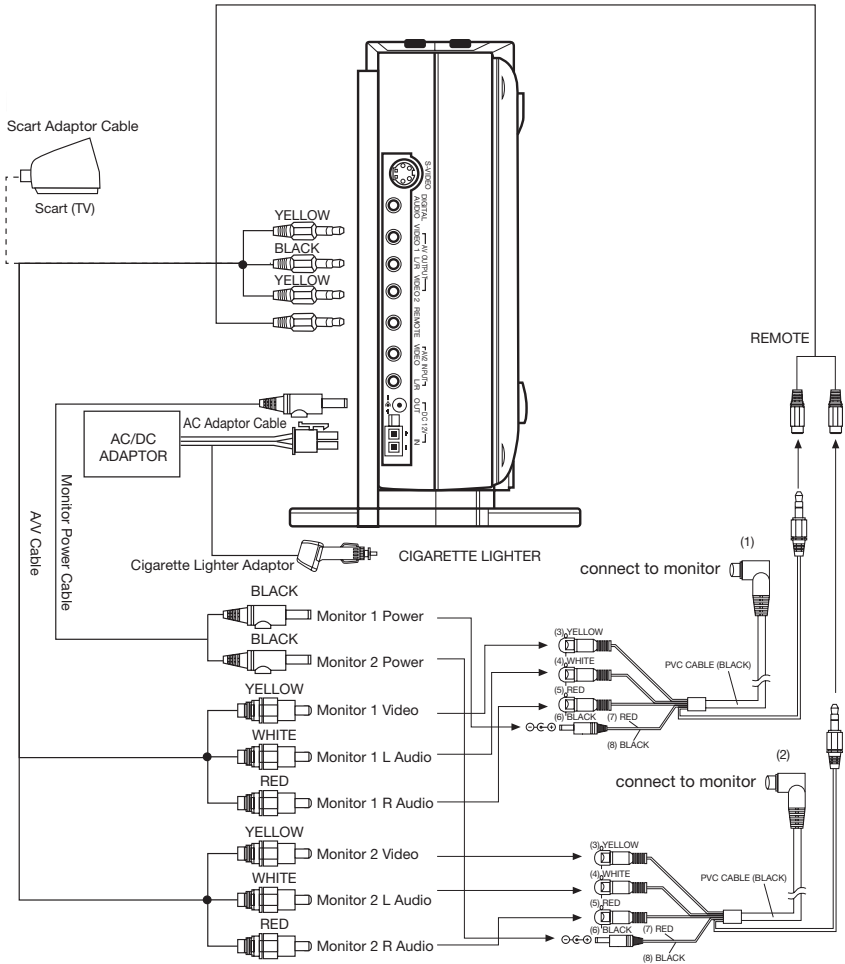
AC Adaptor Cable



Cigarette Lighter Adaptor



ELECTRICAL CONNECTION



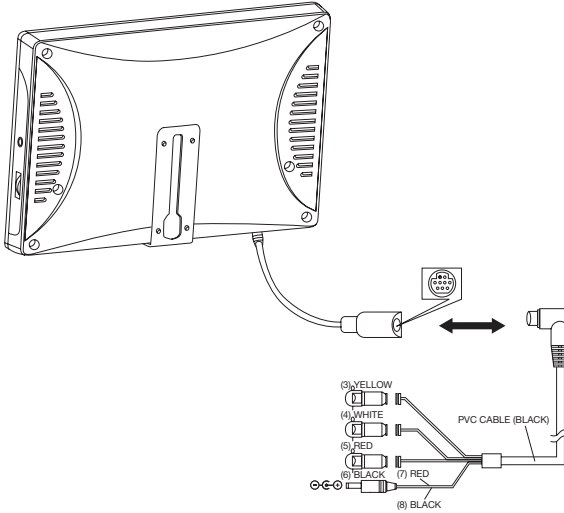
Note: The AC/DC adapter and the cigarette lighter adapter cannot be connected at the same time.

Note: Only connect the SCART adapter when the monitors are not connected.

Note: When using the S-VIDEO output, only the DVD can be viewed. AV1 input and AV2 input cannot be viewed using the S-VIDEO output.

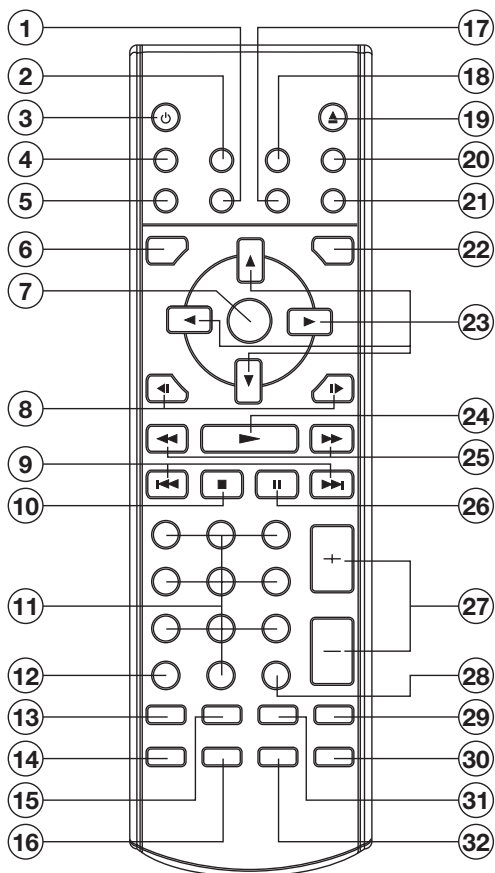
ELECTRICAL CONNECTION

Connect power cable to monitor.



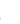





















REMOTE CONTROL

LOCATION AND FUNCTION OF KEYS



REMOTE CONTROL

1. SETUP Display the SETUP menu.
2. SUBTITLE Change SUBTITLE language on multi-subtitle language DVD disc.
3.  POWER Press POWER to turn the unit ON or OFF.
4. MUTE Press to mute the sound.
5. MODE Change between DVD mode, AV1 input mode and AV2 input mode.
6. TITLE Display the TITLE menu of a DVD disc.
7. ENTER Confirm selection.
8.  /  Slow motion forward/ reverse playback.
9.  /  Press  to skip to the next track & press  to skip back to the previous track.
10.  Press to stop playback.
11. 0-9 Numerical buttons
12. CLEAR Press to clear a number entered in error.
13. ZOOM Increase or decrease the amount of ZOOM.
14. SHUFFLE Play tracks in random order.
15. RESUME Resume play from the point playback was stopped.
16. PROGRAM Play tracks in the order you programmed.
17. PAL/NTSC Switch between PAL mode and NTSC mode.
18. ANGLE Change the viewing angle on multi-angle DVD disc.
19. EJECT Press to eject the disc.
20. DISPLAY Display disc information during playback.
21. AUDIO Change the AUDIO language on multi-audio language DVD disc.
Change the sound mode of CD discs.
22. MENU Display the ROOT menu of a DVD disc.
23.  / ,  /  When viewing a menu,  / ,  /  buttons serve as cursor buttons to select item left/right, up/down.
24.  Commence Playback.
25.  /  Press  to search forward rapidly &  to search reverse rapidly.
26.  Press to pause playback.
27. VOLUME+/- Press VOLUME+/- button to increase or decrease the volume level.
28. 10+ Used to select numbers higher than 10.
29. PBC Change between PBC ON and PBC OFF.
30. A-B A-B repeat allows a passage to be repeated.
31. GOTO Disc search button, used with numeric buttons.
32. REPEAT Change the Repeat mode of discs.

REMOTE CONTROL

Preparing the Remote Control

Inserting the Batteries

1. Open the battery compartment cover.
2. Insert the 2 new AAA batteries. Make sure that the positive and negative terminals of the batteries are oriented indicated.
3. Close the cover

Using the Remote Control

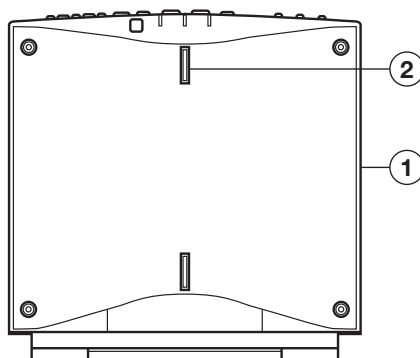
Face the remote control towards the player front face **IR** mark (21) (remote control signal receiver).

Operation angle: About ± 30 degree in each the direction of the front of the remote sensor.

LOADING / EJECTING A DISC

LOADING A DISC

1. When using in-car, turn the ignition to the ON position. When using mains power, insert plug into mains outlet.
2. Press the **POWER** button on the top of the unit.
3. Insert the disc with printed side facing towards the front into the disc slot (1).
4. The player will start playback automatically.



EJECTING A DISC

Press **EJECT** button (2) to eject the disc.

OPERATION

BASIC PLAY

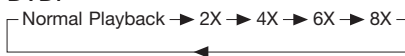
STOP PLAYBACK

- Briefly press the **■ (STOP)** button to stop playback, when the **▶ (PLAY)** button is pressed, playback will resume from the point stopped.
- Press **■ (STOP)** button twice to stop playback. When the **▶ (PLAY)** button is pressed, playback will resume from the beginning.

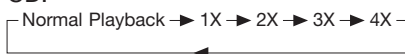
RAPID FORWARD/RAPID REVERSE

Press **▶▶ & ◀◀** button during play. Each time the button is pressed, the speed of rapid forward/reverse changes according to the disc as follow:

DVD:



CD:



TRACK SKIPPING

Press **▶▶ / ◀◀** buttons on the remote control or on the front panel during playback. Press **▶▶** to skip to next track, and **◀◀** to go back to previous track.

SLOW MOTION PLAY

Press **▶| / ◀|** during play. Each time the button is pressed, the speed of slow forward/reverse changes according to the disc as follow.

DVD:



PAUSE (still picture)

Press **||** on the remote control or **▶||** on the front panel during playback will stop play temporary. To return to normal playback, press **▶** on the remote control or **▶||** on the front panel.

MUTE

Press to mute the sound, but the disc continues playing. When you unmute the sound (press **MUTE** again), sound will resume.

REPEAT

FOR DVD:

Press **REPEAT** button to select repeat mode as follow:



FOR CD:

Press the **REPEAT** button to select repeat mode as follow:



1. Select REP-ALL mode to continuously repeat all chapter/track on the current disc.
2. Select REPEAT OFF to cancel repeat and resume normal playback.

A-B

A-B repeat allows a passage to be repeated continuously. Press **A-B** button at the start of the required passage, then press **A-B** button again at the end of the passage. To resume normal playback, press **A-B** button again. Each time the button is pressed, the screen will display as follows:

A TO B SET A -> A TO B SET B -> A TO B CANCELLED

OPERATION

Disc Search (GOTO)

FOR DVD

Press **GOTO** button twice, the screen will display the following:

```
TITLE 01/01 TIME --:--:--
00:00:25
```

Use the numeric buttons and ENTER button.

FOR CD (WITH PBC OFF):

Press **GOTO** button once, the screen will display the following:

```
GO TO --:--
00:00:25
```

Use numeric buttons to input the time to goto directly then press the enter button.

ZOOM

Press **ZOOM** button to toggle between 1.5 scale, 2.0 scale and 3.0 scale.

During Zoom mode, press **▲** / **▼**, **◀** / **▶** buttons to pan up, down, left or right.

SHUFFLE

Press **SHUFFLE** button, track selection will be made in random order. The display screen will show "SHUFFLE ON" on the right-top corner. Press **SHUFFLE** button again, "SHUFFLE OFF" appears and normal playback will resume.

PROGRAM (AUDIO CD only)

In stop mode, press **PROGRAM** button, the screen will display "PROGRAM P00:00". Use the numerical keys to enter the tracks into memory. For example: press numerical button 4, "PROGRAM P01:04" appears. Upto 99 tracks can be programmed into memory. Press **▶** (play) to begin playback.

MODE SELECTION

Press **MODE** button on the front panel on the remote control to select

among DVD, AV1 and AV2 mode. The corresponding indicator will illuminate on the front panel.

Volume Level Adjustment

Press **▲** / **▼** on the front panel or **VOLUME +/-** on the remote control to increase or decrease the volume level.

Turning the player on/off

Press the **⏻** (**POWER**) button on the front panel or on the remote control to turn the player on or off.

ON-SCREEN DISPLAY

Press the **DISPLAY** button during playback to display the contents of the current disc on the screen.

Example:

DVD:

(1) Press **DISPLAY** once:

```
TITLE 01/03 CHAPTER 002/025
00:02:25
```

Title Number, Total Title Number, Chapter Number, Total Chapter Number of this Title of the disc currently being played will be shown on the fluorescent display, along with the elapsed time.

(2) Press **DISPLAY** a second time: The time remaining for the title will be displayed.

```
TITLE REMAIN
01:46:58
```

(3) Press **DISPLAY** a third time: The elapsed time of the chapter will be shown.

```
CHAPTER ELAPSED
00:00:24
```

(4) Press **DISPLAY** a fourth time: The remaining time left of the chapter will be displayed.

OPERATION

CHAPTER REMAIN

00:01:39

(5) Press **DISPLAY** a fifth time:
The ON SCREEN DISPLAY will be removed.

CD:

(1) Press **DISPLAY** once:
The elapsed time of the track is displayed.

SINGLE ELAPSED
00:00:25

TOTAL TRACK:14
TRACK:-01

(2) Press **DISPLAY** a second time:
The remaining time of the track will be displayed.

SINGLE REMAIN
00:03:15

TOTAL TRACK:14
TRACK:-01

(3) Press **DISPLAY** a third time:
The total elapsed time will be displayed.

TOTAL ELAPSED
00:00:25

TOTAL TRACK:14
TRACK:-01

(4) Press **DISPLAY** a fourth time:
The total remaining time will be displayed.

TOTAL REMAIN
00:40:35

TOTAL TRACK:14
TRACK:-01


(5) Press **DISPLAY** a fifth time:
The OSD will be removed.

MULTI-AUDIO LANGUAGE FUNCTION

For DVD:

Press **AUDIO** button on the remote control or on the front panel during playback. Each time the button is pressed, the audio soundtrack language changes.

Notes:

- The number of language is dependent on the disc.
- Some discs may contain one language soundtrack.
- When no alternative language soundtracks are recorded,  will be displayed at top left corner of the screen when the AUDIO button is pressed.

For CD:

Press **AUDIO** during playback to switch the sound between monaural and stereo sound.

► MONO LEFT ► MONO RIGHT ► STEREO ◄

MENU (For DVD Only)

Press **MENU** button while the disc is playing and the root menu will be displayed.

Navigate with the remote control navigation keys and make a selection using the **ENTER** key.

TITLE MENU (FOR DVD ONLY)

If multiple titles have been recorded on the DVD, this menu allows selections of the title to be played.


1. Press **TITLE** during playback.
The title menu is displayed.
2. Use the cursor buttons to select the title and confirm by **ENTER** key.

MULTI- SUBTITLE LANGUAGE (FOR DVD ONLY)

Press **SUBTITLE** during playback.

Each time the button is pressed, the subtitle language changes in sequential order.

Notes:


- The language number is different according to the disc.
- Some discs only contain one subtitle language.
- When no different subtitle languages are recorded,  will be displayed at screen left top corner.

MULTI-ANGLE (FOR DVD ONLY)

Press **ANGLE** during playback.

Each time the button is pressed, the angle changes in sequential order.

Notes:

- The angle number is different according to the disc.
- The function only works for discs having scenes recorded at different angles.
- When no different angles are recorded,  will be displayed at screen left top corner.

SETUP

--- GENERAL SETUP ---

TV DISPLAY	
PIC MODE	AUTO
ANGLE MARK	HI-RES
OSD LANG	N-FLICKER
CAPTIONS	
SCR SAVER	
MAIN PAGE	

PIC MODE (DEFAULT: AUTO)

Select AUTO, the player PICTURE mode will depend on DVD disc. Select HI-RES format for best image resolution.

Select N-FLICKER format on image or picture with noise or distortion.

--- GENERAL SETUP ---

TV DISPLAY	
PIC MODE	
ANGLE MARK	
OSD LANG	ENGLISH
CAPTIONS	FRENCH
SCR SAVER	GERMAN
	SPANISH
MAIN PAGE	

OSD LANG (DEFAULT: ENGLISH)

Select the OSD (On Screen Display) language by using the ▲ / ▼ buttons.

--- GENERAL SETUP ---

TV DISPLAY	
PIC MODE	
ANGLE MARK	ON
OSD LANG	OFF
CAPTIONS	
SCR SAVER	
MAIN PAGE	

ANGLE MARK (DEFAULT: ON)

The angle mark will be shown if there are multiple angles recorded on the DVD for a particular scene. If this option is set to ON the angle mark will appear. If it is set to OFF, the angle mark will not appear. (Please note: In this case the angle button will still work.)

--- GENERAL SETUP ---

TV DISPLAY	
PIC MODE	
ANGLE MARK	
OSD LANG	
CAPTIONS	ON
SCR SAVER	OFF
MAIN PAGE	

CAPTIONS (DEFAULT: ON)

Set this option to ON if a DVD with captions is being viewed and the captions are required. If the captions are not required, set this option to OFF.

SETUP

--- GENERAL SETUP ---

TV DISPLAY	
PIC MODE	
ANGLE MARK	
OSD LANG	
CAPTIONS	
SCR SAVER	ON
	OFF
MAIN PAGE	

SCR SAVER (DEFAULT: ON)

This player has a screen saver which, if this option is set to ON, will appear if no button is pressed for a period of time. To deactivate this screen saver set the option to OFF.

SPEAKER SETUP

--- SPEAKER SETUP ---

DOWNMIX	LT/RT
	STEREO
MAIN PAGE	

DOWNMIX (DEFAULT: STEREO)

This is to convert the audio output from DOLBY AC3 5.1 DOWNMIX to 2 channel mode. Select the preferred SPEAKER connection by using the cursor buttons.

- Select the LT/RT to activate the Dolby surround compatible output.
- Select the STEREO to activate simple stereo mode.

AUDIO SETUP

--- AUDIO SETUP ---

AUDIO OUT	ANALOG
OP MODE	SPDIF/RAW
DYNAMIC	SPDIF/PCM
LPCM OUTPUT	
MAIN PAGE	

AUDIO OUT (DEFAULT: SPDIF/RAW)

This option is used when connecting this player to an external audio amplifier using the digital audio output. Please check the amplifiers instructions to find which audio format to use.

- Select ANALOG mode to activate analog audio output.
- Select SPDIF/RAW mode to activate raw digital audio output.
- Select SPDIF/PCM mode to activate PCM digital audio output.

--- AUDIO SETUP ---

AUDIO OUT	
OP MODE	LINE OUT
DYNAMIC	RF REMOD
LPCM OUTPUT	
MAIN PAGE	

OP MODE (DEFAULT: LINE OUT)

- LINE OUT: Line out mode, with digital dialog normalization.
 - RF REMOD: RF remodulation mode, with heavy compression and digital dialog normalization.
- It is recommended to select LINE OUT mode.

SETUP

--- AUDIO SETUP ---

AUDIO OUT		FULL
OP MODE		6/8
DYNAMIC		4/8
LPCM OUTPUT		2/8
		OFF
MAIN PAGE		

Dynamic Range Control (DEFAULT: OFF)

Dynamic Range Control is used to suppress loud sounds and enhance quiet sound for using the player at night. There are 8 steps between full compression and no compression.

--- AUDIO SETUP ---

AUDIO OUT	
OP MODE	
DYNAMIC	
LPCM OUTPUT	LPCM 48K
	LPCM 96K
MAIN PAGE	

LPCM OUTPUT (DEFAULT: LPCM 96K)

Select the LPCM (Line Pause Code Modulation) OUTPUT between LPCM 48K and LPCM 96K.

The difference between LPCM 48K and LPCM 96K lies in the sampling frequency. The higher the sampling frequency is, the better the output audio quality is.

It is recommended to select LPCM 96K.

PREFERENCES SETUP

--- PREFERENCES SETUP ---

TV TYPE	AUTO
AUDIO	NTSC
SUBTITLE	PAL
DISC MENU	
PARENTAL	
PASSWORD	
DEFAULTS	
SMART NAV	
MAIN PAGE	

TV TYPE (DEFAULT: AUTO)

This player can play discs recorded in either PAL or NTSC format.

Select NTSC format, when the unit is connected to NTSC TV.

Select PAL format, when the unit is connected to PAL TV.

Select AUTO format, TV output format from the player will be set according to the DVD disc format.

--- PREFERENCES SETUP ---

TV TYPE	
AUDIO	ENGLISH
SUBTITLE	FRENCH
DISC MENU	SPANISH
PARENTAL	CHINESE
PASSWORD	JAPANESE
DEFAULTS	GERMAN
SMART NAV	
MAIN PAGE	

AUDIO (DEFAULT: ENGLISH)

Select the default AUDIO language to be used when viewing DVD. If the selected language is not recorded on the disk, the default language on the DVD will be heard.

SETUP

-- PREFERENCES SETUP --

TV TYPE	
AUDIO	ENGLISH
SUBTITLE	FRENCH
DISC MENU	SPANISH
PARENTAL	CHINESE
PASSWORD	JAPANESE
DEFAULTS	GERMAN
SMART NAV	OFF
MAIN PAGE	

SUBTITLE language setup (DEFAULT: OFF)

Select the default SUBTITLE language to be used when viewing DVD.

-- PREFERENCES SETUP --

TV TYPE	1 G
AUDIO	2
SUBTITLE	3 PG
DISC MENU	4 PG 13
PARENTAL	5
PASSWORD	6 PG-R
DEFAULTS	7 NC-17
SMART NAV	8 ADULT
MAIN PAGE	NO_PARENTAL

PARENTAL (DEFAULT: NO_PARENTAL)

Some DVDs are recorded with a parental rating. Use PARENTAL option to select the maximum rated film that can be viewed without entering a PIN number. NOTE: This setting varies between DVDs. If no rating is recorded on DVD, the player will play the disc ignoring what is set for this option.

-- PREFERENCES SETUP --

TV TYPE	
AUDIO	
SUBTITLE	
DISC MENU	ENGLISH
PARENTAL	FRENCH
PASSWORD	SPANISH
DEFAULTS	CHINESE
SMART NAV	JAPANESE
MAIN PAGE	

DISC MENU language setup (DEFAULT: ENGLISH)

Select the default DISC MENU language to be used when viewing DVDs. If the selected language is not available, the default language for the disc will be used.

-- PREFERENCES SETUP --

TV TYPE	
AUDIO	
SUBTITLE	
DISC MENU	
PARENTAL	
PASSWORD	CHANGE
DEFAULTS	
SMART NAV	
MAIN PAGE	

PASSWORD

Select CHANGE and press ENTER button. Type the old password (The initial code is 3308) and enter in a new 4 digit password to be used, then retype again to confirm.

SETUP

-- PREFERENCES SETUP --

TV TYPE
AUDIO
SUBTITLE
DISC MENU
PARENTAL
PASSWORD
DEFAULTS
SMART NAV
MAIN PAGE

RESET

DEFAULTS

Select reset to restore initial factory settings.

-- PREFERENCES SETUP --

TV TYPE
AUDIO
SUBTITLE
DISC MENU
PARENTAL
PASSWORD
DEFAULTS
SMART NAV
MAIN PAGE

NO MENU
WITH MENU

SMART NAV (DEFAULT: WITH MENU)

Select WITH MENU to display the folder list and track list.

DEFAULTS TABLE

General Setup	TV Display	Normal/LB
	PIC Mode	AUTO
	Angle Mark	ON
	OSD Language	English
	Captions	ON
	SCR Saver	ON
Speaker Setup	Downmix	Stereo
Audio Setup	Audio Out	SPDIF/RAW
	OP Mode	Line Out
	Dynamic	FULL
	LPCM Output	LPCM 96K
Preferences	TV Type	AUTO
	Audio	English
	Subtitle	English
	DISC Menu	English
	Parental	NO_Parental
	Password	3308
	Smart NAV	With Menu

TROUBLE SHOOTING

Please use this TROUBLE SHOOTING guide if the player appears to be faulty.

Under no circumstances should you try to repair the player yourself, as this will invalidate the warranty. Only qualified service personnel should remove the cover or service this player.

NO POWER

- Check if the on/off button on the front of the player is set to on.
- Check if AC or DC power plug to the mains adaptor is properly connected.
- Check if there is power at the AC or DC (cigarette lighter socket).

NO PICTURE

- Check if the monitor or TV is switched on.
- Select the correct AV input on the monitor or TV.
- Check the video connection.

DISTORTED PICTURE

- Check the disc for fingerprints and clean with soft cloth, wiping from centre to edge.
- Sometimes a small amount of picture distortion may appear. This is not a malfunction.

COMPLETELY DISTORTED PICTURE

- The disc format is not set according to the TV used (PAL/NTSC).

NO COLOR IN PICTURE

- The disc format is not set according to the TV used (PAL/NTSC).

DISC DOES NOT PLAY

- Ensure the disc is inserted with its label facing towards the front of the player.
- Clean the disc.
- Check if the disc is defective by trying another disc.

NO SOUND

- Check audio connections.
- If using a HIFI amplifier, try another sound source.

DISTORTED SOUND FROM HIFI AMPLIFIER

- Check to make sure that no audio connections are made to the amplifier phono input.

UNIT DOES NOT RETURN TO START-UP SCREEN WHEN DISC IS REMOVED

- Press POWER to turn off the unit, then press it again to turn on the unit.

THE PLAYER DOES NOT RESPOND TO THE REMOTE CONTROL

- Aim the remote control directly at the sensor on the front of the player.
- Avoid all obstacles which may interfere with the signal path.
- Inspect or replace the remote control batteries.

NO AUDIO AT DIGITAL OUTPUT

- Check the digital connections
- Check the Digital Audio menu to make sure that the digital output is correctly set.
- Check if the audio format of the selected audio language matches your receiver's capabilities.

BUTTONS DO NOT WORK

- Turn the player off and on with the power on/off button on the front of the player.

TROUBLE SHOOTING - MONITOR

Before going through the checklist, check wiring connection.

NO POWER

- Press the power button on the front of the monitor to turn the monitor on.
- Check if the wires of DC power plug are properly connected.
- Check if there is power at the power supply outlet.

THE PICTURE IS OVER DARK, OVER BRIGHT OR HAS NO Color:

- Rotate the Colour, CONTRAST, BRIGHTNESS knob to increase or decrease the level of the corresponding item.

NO SOUND

- Check if the audio connections are properly connected.
- Check if the volume is minimum, and rotate the speaker volume control knob to increase the volume level.

BUTTONS DO NOT WORK

- Turn the unit off and on with the power button on the front of the unit.

SPECIFICATIONS

Supply voltage ground	: 12V DC (11V-15V), test voltage 14.4V, negative
Current consumption	: Less than 2A
Signal system	: Compositive video 1.0Vp-p 75 Ω
Discs played	: (1) DVD-VIDEO disc 5"(12 cm) single-sided, single-layer 5"(12 cm) single-sided, double-layer (2) Compact disc (CD-DA/CD-R/CD-RW)
Audio output level	: 10k Ω (2 ch 2.0 Vrms)
Audio signal output Characteristics	: (1) Frequency response: 20 Hz-20 kHz (2) S/N ratio: 80 dB (JIS) (3) Wow and Flutter: Below measurable limits

Note:

Specifications and design are subject to modification, without notice, due to improvements in technology.

This product incorporates copyright protection technology that is protected by method claims of certain U.S. patents and other intellectual property rights owned by Macrovision Corporation and other rights owners. Use of this copyright protection technology must be authorized by Macrovision Corporation, and is intended for home and other limited viewing uses only unless otherwise authorized by Macrovision Corporation. Reverse engineering or disassembly is prohibited.

