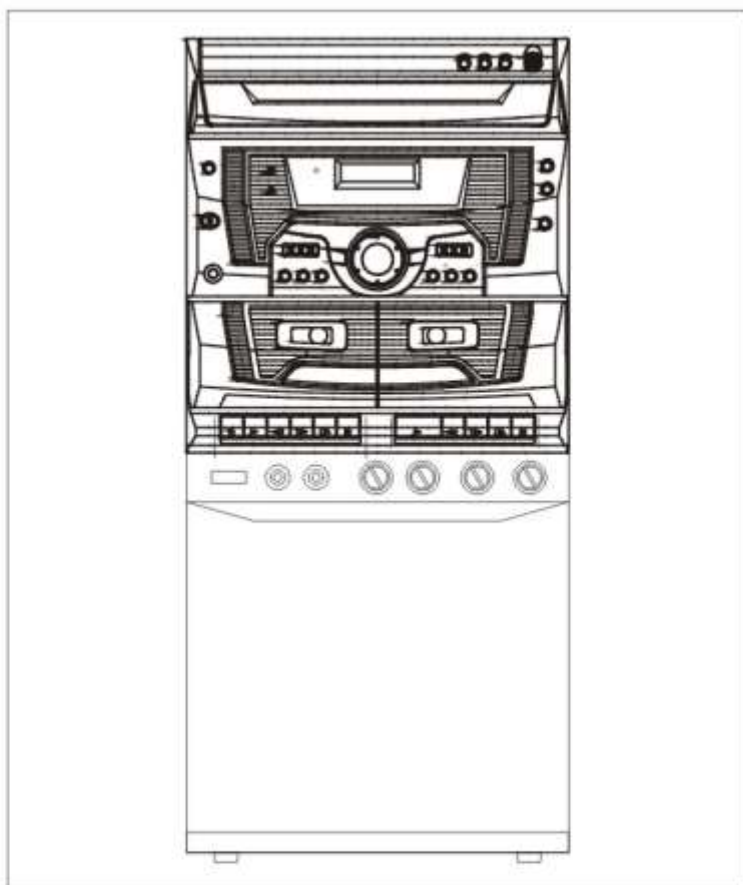


# Goodmans

XB21/25CDG

*Karaoke System*

CDG TV GRAPHICS SYSTEM  
CASSETTE - VIDEO READY



## CONTENTS

This product includes the following accessories

1 x Microphone

1 x Scart to scart cable

Before operating this unit, please read this Owners Manual carefully

GOODMANS Product Information Helpline : (02392) 391100

# IMPORTANT SAFEGUARDS

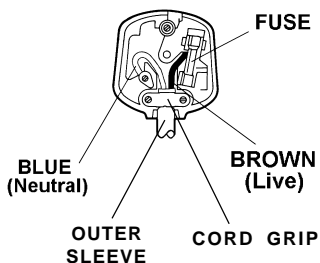
**WARNING :** To prevent fire or shock hazard do not expose this unit to rain or moisture.

**CAUTION :** DANGEROUS VOLTAGES EXIST INSIDE THIS UNIT, DO NOT REMOVE COVER (OR BACK), NO USER SERVICEABLE PARTS INSIDE, REFER SERVICING TO QUALIFIED SERVICE PERSONNEL, DISCONNECT FROM MAINS SUPPLY WHEN NOT IN USE.

## PRE FITTED MAINS PLUGS

For your convenience a mains plug with a fuse has been fitted to this appliance. For your safety please observe the following information.

1. Should the fuse fail in the plug remove the plug from the wall socket and replace the fuse with a 3 Amp ASTA approved to BS1362 fuse.
2. Never use the plug without the fuse cover fitted. Replacement fuse covers are available from your dealer or most electrical retail outlets.
3. If the mains plug is cut off from the cable, rewire the replacement plug in accordance with the instruction given in this manual.
4. **CAUTION:** Under no circumstances should the discarded plug be inserted into the mains socket. To prevent a shock hazard remove the fuse and carefully dispose of the discarded plug. Do not leave the plug lying around where children might see it.

<b>MAINS PLUG WIRING DETAILS</b>	
	<p>The wires in this mains lead are coloured in accordance with the following wiring codes:</p> <p>Blue ..... Neutral</p> <p>Brown ..... Live</p> <p>The wires in this mains lead must be connected to the terminals in the plugs as follows:</p> <p>Blue Wire ..... N or Black</p> <p>Brown Wire ..... L or Red</p> <p>Only a 3 Amp fuse should be fitted in the plug or a 5 Amp fuse at the distribution board.</p>

**WARNING :** UNDER NO CIRCUMSTANCES MUST THE LIVE OR NEUTRAL WIRES BE CONNECTED TO THE EARTH TERMINAL IN A 3-PIN MAINS PLUG.

**CAUTION :** WHEN OPERATING THIS UNIT ON 230V MAINS SUPPLY, PLEASE NOTE THAT WHEN THE POWER SWITCH IS IN THE OFF MODE, THIS DOES NOT DISCONNECT THE UNIT FROM THE MAINS SUPPLY HOWEVER, PLEASE BE ASSURED THAT IT IS PERFECTLY SAFE TO LEAVE THE UNIT CONNECTED TO THE MAINS SUPPLY.



This symbol means that this unit is double insulated. An earth connection is not required.

### CAUTION

**CLASS 1 LASER PRODUCT**  
Use of Controls or adjustments or performance of procedures other than those specified herein may result in hazardous radiation exposure.

### LASER SAFETY

This unit employs a laser, only qualified service personnel should attempt repair.



**DANGER: INVISIBLE LASER RADIATION WHEN OPEN AND INTERLOCK FAILED OR DEFEATED. AVOID DIRECT EXPOSURE TO BEAM.**  
**CAUTION: HAZARDOUS LASER RADIATION WHEN OPEN AND INTERLOCK DEFEATED.**

# MAINTENANCE AND CARE

## SOME DO'S AND DON'TS ON THE SAFE USE OF EQUIPMENT

This equipment has been designed and manufactured to meet European safety standards but like any electrical equipment, care must be taken if you are to obtain the best results and safety is to be assured.

- DO read the operating instructions before you attempt to use the equipment.
- DO ensure that all electrical connections (including the mains plug, extension leads and interconnections between pieces of equipment) are properly made in accordance with the manufacturer's instructions. Switch off and withdraw the mains plug when making or changing connections.
- DO consult your dealer if you are ever in doubt of the installation, operation, or safety of your equipment.
- DO be careful with glass panels or doors on equipment.
- DON'T continue to operate the equipment if you are in any doubt about it working normally, or if it is damaged in any way - switch off, withdraw the mains plug and consult your dealer.
- DON'T remove any fixed cover as this may expose dangerous voltages.
- DON'T leave equipment switched on when it is unattended unless it is specifically stated that it is designed for unattended operation or has a standby mode. Switch off using the switch on the equipment and make sure that your family knows how to do this. Special arrangements may need to be made for infirm or handicapped people.
- DON'T listen to headphones at high volume, as such use can permanently damage your hearing.
- DON'T obstruct the ventilation of the equipment, for example with curtains or soft furnishings. Overheating will cause damage and shorten the life of the equipment.
- DON'T allow electrical equipment to be exposed to rain or moisture.

Above all -

- Never let anyone, especially children, push anything into holes, slots or any other opening in the case-this could result in a fatal electric shock.
- Never guess or take chances with electrical equipment of any kind.
- It is better to be safe than sorry!

## CLEANING THE UNIT

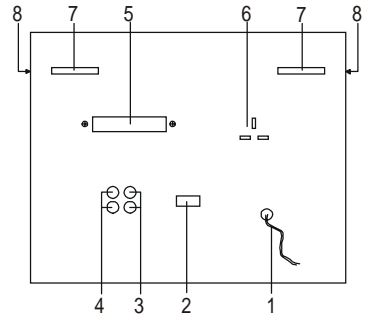
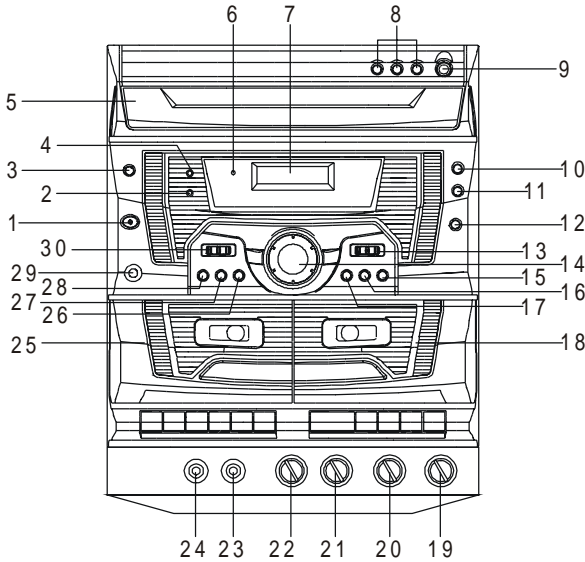
### WARNING

AS WITH ALL MAINS POWERED UNITS, ALWAYS DISCONNECT THE MAINS PLUG FROM ITS SOCKET, BEFORE ATTEMPTING TO CLEAN THE UNIT, ONLY USE A SOFT CLOTH MOISTENED WITH WARM SOAPY WATER, DO NOT USE HARSH ABRASIVES OR CHEMICALS TO CLEAN WITH AS THIS WILL DAMAGE THE UNIT GRAPHJCS OR FINISHING.

## TABLE OF CONTENTS

Location of controls .....	4
Introduction .....	5
Installation .....	5
Audio In and Aux Out .....	5
Sound Control .....	6
Headphones .....	6
Using the microphone .....	6
Handling compact discs .....	6
Loading discs .....	8
Playing CD or CD+G discs .....	8
Connecting the CD+G system .....	8
Connecting to the TV .....	9
Important Information .....	9
To stop a CD partway through .....	9
Track Skip .....	9
DISC SKIP .....	10
Repeat Disc Play .....	10
Programmed Disc Play .....	10
Listening To Tape .....	11
Playing Tapes .....	11
Continuous Playback .....	11
Recording .....	12
Cassette Care .....	13
Head Cleaning .....	13
Prevention Against Accidental Erasure .....	13
Maintenance And Care .....	14
Important Notes .....	15
Trouble Shooting .....	16
Specifications .....	17

# LOCATION OF CONTROLS



## FRONT PANEL

1. Power Button
2. DBBS Indicator
3. Disc Skip Button
4. Mute Indicator
5. 3 CD Changer
6. Standby/on Indicator
7. LCD Display
8. Disc1,2,3 Selector
9. CD Door Open/Close Button
10. Mute Button
11. DBBS Button
12. Hi-Speed Dubbing Button
13. Auto Vocal ON/OFF Switch
14. Volume Control
15. CD Play/Pause Button
16. CD Stop Button
17. Repeat Button
18. Cassette Deck B
19. Mix Music Vocal Control
20. Echo Control

21. MIC 2 Volume Control
22. MIC 1 Volume Control
23. MIC 2 Input Socket
24. MIC 1 Input Socket
25. Cassette Deck A
26. Program Button
27. CD Skip Down Button
28. CD Skip Up Button
29. Headphone Socket
30. Function Selector(AUX-TAPE-CD)

## BACK PANEL

1. AC Power Cord
2. Mains Power Switch
3. AUX-OUT Socket
4. AUX-IN Socket
5. Scart Socket
6. BS Plug Storage Slot
7. MIC Hooks
8. Carrying Handles

## INTRODUCTION

The XB 21/25 operates on a power supply of 230V 50Hz AC.

The XB 21/25 contains the following facilities.

- Digital audio CD and Graphic player.
- A twin cassette player with high speed dubbing, one touch record and sequential playback capability.
- 2 microphone input sockets(1 mic is supplied)
- PA ( Public Address) facility.
- Talk or sing along to music (demo disc supplied).
- Separate variable microphone volume and system volume controls.
- Microphone ECHO control, mic mixing gacility, DBBS and switchable auto vocal cut control.
- The AUX IN - AUX OUT are stereo source but are played in mono through the
- Single speaker located on the XB21/25.

*Note :* Whilst the AUXILIARY input sockets may be used with a variety of external units already described in the manual. The use with a bass guitar is NOT recommended, if used damage may occur to the in built speaker.

## INSTALLATION

Carefully remove the unit from its packaging and place it on a firm flat surface. Avoid installation near heaters or in area subject to direct sunlight. Ensure good air circulation. Protect the unit from dust, moisture and water. Avoid strong magnetic field, eg near TVs or speakers.

Insert the mains plug into a 230V 50Hz

AC mains supply socket.

**Ensure that the POWER SWITCH at the rear of the unit is "ON".**

*Note:* Save the carton and packing material, they will be useful if you ever have to transport the unit.

## AUX-IN AND AUX-OUT

### SCART SOCKET AND CABLE

This unit is supplied with a scart cable.

Connect this scart cable to your XB21/25 and TV to see the lyrics of the CDG disc on your TV.

### AUXILIARY AUDIO INPUT(AUX-IN)

There is a pair of RCA sockets at the rear of the unit marked AUDIO IN / OUT L/R.

Connect the audio out of your TV to the AUDIO L/R in socket. You can hear the audio of the TV programme on the XB21/25.

## AUXILIARY AUDIO OUT

There is a pair of RCA sockets at the rear of the unit marked AUDIO OUT L/R. This allows the audio signal generated by the XB21/25 to be connected to a separate audio amplifier for further amplification. Output level 1 volt max.

## SOUND CONTROL

### MUTE

- Press the MUTE Button to switch off the sound, the MUTE indicator will light up.
- Press MUTE again to restore the sound to the previous level. MUTE indicator will go off.

### BASS BOOST(DBBS)

To enhance Bass effect, press the Bass Boost Button.

## HEADPHONES

Headphones should have a 3.5 mm diameter stereo plug with an impedance of 8-32 ohms. When headphones are connected, the speakers are automatically disconnected.

## COPYRIGHT NOTICE WARNING

Most records, compact discs, audio and video cassettes, radio and television broadcasts contain material which is the subject of copyright. It is unlawful to record such material in any form whatsoever, whether on disc or tape, without the permission of the copyright owner concerned. Any person who makes a recording of such material without the consent of the copyright owner infringes copyright and may be liable, to pay substantial damages to the copyright owner, and in some cases to criminal prosecution.

## USING THE MICROPHONE

The microphone may be used in conjunction with all other sections of the XB21/25.

### PUBLIC ADDRESS

- Select AUX function to prevent other noise pickup.
- Insert microphone into either of the microphone input sockets.
- Adjust MIC 1 or MIC 2 volume level and master volume control as required.
- To add ambience to your voice adjust the ECHO control as required.

*Note: Prevent howling/whistle occurring ensure that the XB21/25 is facing away from the person using the microphone.*

## SINGING TO MUSIC

The microphone can operate together with the TAPE, AUX, CD functions.

- Select the desired function and operate that function according to the instructions given.
- Insert the supplied microphone into either MIC input socket.
- Move the microphone ON/OFF switch to the ON position and operate the microphone according to the instructions given in the PA section.
- Use the auto vocal switch to cut the vocals from the music being played.

**Note:** If TAPE function is selected, make sure that the PLAY button is pressed otherwise microphone will not be heard.

Special KARAOKE cassette may be purchased from many hi-fi retail outlets or record shops. This type of karaoke tape contains popular music/instrumentals recorded on one side of the tape and predominantly vocals on the other side of the tape. With these it is possible to sing along (lyric are supplied with the cassettes) to the XB21/25 speaker can be altered to suit your own requirements by adjusting the MIC MIX control to music or vocals.

## HANDLING COMPACT DISCS

To remove a disc from its storage case, press down on the centre of the case and lift the disc out, holding it carefully by the edges.



Fingerprints and dust should be carefully wiped off the disc's recorded surface with soft cloth. Unlike conventional records, compact discs have no grooves to collect dust and microscopic debris so gently wiping with a soft cloth should remove most particles. Wipe in a straight line from the inside to the outside of the disc. Small dust particles and light stains will have absolutely no effect on reproduction quality.

Never use chemicals such as record sprays, antistatic sprays, benzene, or thinners to clean compact discs. These chemicals can damage the disc's surface. Discs should be returned to their cases after use. This avoids serious scratches that could cause the Laser pickup to skip.

Do not expose discs to direct sunlight, high humidity, or high temperatures for extended periods. Long exposure to high temperatures can warp the disc.



## LOADING DISCS

### LOADING AND UNLOADING CD OR CD+G

- Set the FUNCTION Selector to the CD position.
- Press the CD Open/Close Button to open the disc compartment.
- Once the CD door has opened, remove a disc from its case and place it carefully in one of the indentations in the compartment with the label side facing up. Smaller, 3" discs, may also be used with this CD player.
- To load additional CD's press the Disc Skip button to rotate the CD tray, upto 3 discs can be placed in the tray at any one time. Smaller 3 inch discs can be used in this unit.
- To close the disc compartment press the CD Open/Close Button.
- The unit will go through a cycle to find the first CD in the tray, this may take upto 15 seconds.
- The disc compartment may be opened at any time by pressing the CD Open/Close Button.

### CAUTION

Do not put anything except a compact disc into the compartment. Foreign objects can damage the mechanism.

Do not force the compartment by hand during the opening and closing operations.

Keep the disc compartment closed when not in use to prevent dirt and dust from entering the mechanism.

## PLAYING CD OR CD+G

- Press the CD Open/Close Button to open the disc compartment, and load a CD.
- Close the disc compartment, the unit will search for the first tray to contain a CD and the display will show the total playing time of the CD.
- Press the CD Skip Button to select the CD of your choice.
- Press the Play/Pause Button, disc play will begin from the start of the first track. A particular track can be select by pressing the Skip up or down Buttons. If this is done before pressing the Play/Pause Button, disc play will start with the selected track when the Play/Pause Button is pressed.
- At the end of the disc, the unit will search for the next disc if installed.

*Notes: If the disc is deeply scratched, or too dirty, disc play may not start.*

### CONNECTING UP THE CD+G SYSTEM

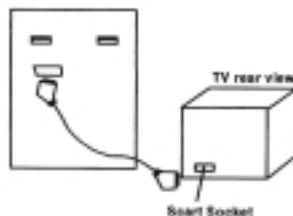
The CD+G (CD music + Graphics) player will allow standard audio CD and CDG disc to be played through the system. When special Karaoke CDG discs are used, such as the one provided, words of the song will appear on you TV screen.

## CONNECTING TO THE TV

Connect one end of the supplied scart cable to your TV and the other end to the scart jack at the rear of the XB21/25. Make sure you select AV channel on your TV.

*Note : When a CD Graphic disc is loaded, the words of the song will appear on TV screen when it is being played.*

Connect scart lead to TV and XB21/25 and select AV on your TV.



## IMPORTANT INFORMATION

This compact disc player has built-in error compensation circuits to correct for minor defects in a disc. There are limits, however, to the amount of correction available. In some cases, the CD player may skip some tracks on a disc during disc play. This problem may be caused by defects (such as scratches) in the disc being played, which are too large for the error compensation circuits to handle. If you encounter this problem, check the CD player operation as follows, before having the unit serviced.

Play a new disc. If the CD player operates normally, the skipping problem is probably due to a defective disc.

## TO STOP A CD PART WAY THROUGH

- Press the Stop Button. Disc play will stop, the Play indicator will go off, and the display will show the total number of tracks and the total playing time of the CD.
- To temporarily stop disc play (pause mode), press the Play/Pause Button. Disc play will pause at the current play position.
- To resume disc play, press the Play/Pause Button again. The Play indicator will be displayed.

## TRACK SKIP

### TO SKIP TO THE NEXT TRACK ON A DISC

- For example, to skip ahead to the beginning of track 5 while track 4 is playing.
- Press the Skip Up Button once. Disc play will resume at the beginning of track 5.

The CD player will skip ahead to the next track each time the Skip Up Button is pressed. Repeatedly pressing the Forward Skip Up Button makes the CD player skip ahead through the disc track by track. Once the beginning of the last track is reached the CD player will not advance any further.

### TO SKIP BACK TO THE PREVIOUS TRACK ON A DISC

- For example, to skip back to the beginning of track 3 while track 4 is playing.
- Press the Skip Down Button twice. Disc play will resume at the beginning of track 3.

The CD player will skip back one track each time the Skip Down Button is pressed. If this Button is pressed once in the middle of a track, the CD player will skip back to the beginning of that track. To make it skip back to the previous track press the Skip Down Button twice.

Repeatedly pressing the Skip Down Button makes the CD player skip back through the disc track by track. Once the beginning of the first track is reached, the CD player will not go back any further.

*Notes: The Skip Up/Down Buttons can be used to select a desired track to play from before disc play starts. In this case the number of the selected track will be displayed until the Play/Pause Button is pressed.*

## DISC SKIP

- To skip to the next disc simply press the Disc Skip Button the unit will cycle through position 1 - 2 - 3 - 1 - 2 ..... etc.
- Direct access to disc 1, 2 or 3 can be operated by pressing DISC1 , DISC 2 or DISC 3 at the top right corner of the unit.

## REPEAT DISC PLAY

If the Repeat Button is pressed during normal or programmed disc play the following repeat functions are displayed in sequence in the CD Display.

REPEATALLDISC	Repeats All the Tracks on All the Discs.
REPEAT1DISC	Repeats all the tracks on the Current disc.
REPEAT1	Repeats the current track on the Current disc.

To cancel a repeat mode, keep pressing the REPEAT Button until the REPEAT Indicator is extinguished.

## PROGRAMMED DISC PLAY

It is not possible to enter programs during disc play. Press the Stop Button first, then follow the instructions below.

### ENTERING A PROGRAMME

1. Select the disc that the first track is on using the Disc Skip Button.(For example to select Disc 2)
2. Press the Programme Button, the CD Display will display the word Program edit and 01 d2:--
3. Select the desired track using the Track skip buttons until the desired track is reached (For example to select Track 4), the display will show Program edit and 01 d2:04.
4. Press the Program Button once again, the selected disc and track number is then stored in memory. The CD Display will change to Program edit and 02 d2:--
5. Repeat steps 2 - 4 to enter additional tracks. You can store upto 32 programs in memory.

*Notes: If the Play/Pause Button is pressed before the Program Button is pressed to store a track, the track will not be programmed, and the disc will start playing from the first selected track.*

*Any track can be programmed to play more than once.  
If you press the Stop Button during PROGRAM mode, the entire program  
will be erased from memory.*

## **LISTENING TO PROGRAMMED TRACKS**

Program your selection of tracks by following the procedure shown earlier.

Press the Play/Pause Button.

Disc play will start at the beginning of the first programmed track.

## **TO CLEAR THE PROGRAMME MEMORY**

If the disc is playing, press the Stop Button.

Press the Stop Button again. All the programs will then be erased from memory.

The program memory will also be cleared if the Function Selector is changed to another function, or if the power is switched off.

## **LISTENING TO TAPE**

### **INSERTION AND REMOVAL OF CASSETTES**

- Press the Stop/Eject Button to open the Cassette Door.
- Slip your cassette tape into the cassette door with the exposed section of tape at the bottom (full spool on the left) and the playback side facing you.
- Push to close the Cassette Door securely before starting.
- When finished, press the Stop/Eject Key to open the Cassette Door, and retrieve your cassette tape.

## **PLAYING TAPES**

You can choose either Tape A or Tape B for playback.

- Selector the Tape Function.
- Insert your cassette tape.
- Press the Play Key to start the tape.
- Use the Pause Key whenever you want to suspend playback.
- Press the Stop/Eject Key when finished.
- Press Fast Forward or Rewind Keys to rapidly wind cassette.

## **CONTINUOUS PLAYBACK**

- Insert two cassette tapes.
- Press the Play Key of deck B.
- Press the Pause Key followed by the Play Key of deck A.
- Deck B will play while Deck A waits.

- Adjust the Volume Control to the appropriate level.
- When Tape B reaches the end and stops, Tape A starts playing back automatically.
- When Tape A reaches the end, it will automatically stop.

## RECORDING

### RECORDING FROM CD

- Select the CD FUNCTION , and insert your disc.
- Press the Record Key and Play Key at the same time to start recording.
- Press the CD Play/Pause Button to start the disc.
- Press the Stop/Eject key when disc/recording is finished.

### TAPE-TO-TAPERECORDING(DUBBING)

#### NORMAL SPEED DUBBING

- Insert a fully rewound pre-recorded cassette into Tape Deck B.
- Insert a fully rewound blank cassette tape into Tape Deck A.
- Select the TAPEFUNCTION .
- Press the Pause Key and then the Play and Record Keys of Tape Deck A.
- Press the Play Key of Tape Deck B. The contents of the tape in Deck B will now be copied onto the tape in Deck A.
- Adjust the Volume Control to the desired level for monitoring purposes. The recording level will be unaffected by changes in volume.
- To stop recording, press both of Stop/Eject Keys.

#### HIGH SPEED DUBBING

- **Set the High Speed Key to ON position.**
- Follow the steps described above for Normal Speed Dubbing. Monitoring is not possible.

*Notes: If the length of the tape in Deck B is shorter than that in Deck A, the Play Key of Deck B will be released automatically at the end of the tape. Tape A will continue to record until the tape reaches its end, or its Stop/Eject Key is pressed.*

*If the length of the tape in Deck A is shorter than that in Deck B. The Record and Play Keys of Deck A will be released automatically at the end of tape. Tape B will continue to Play until the tape reaches its end, or its Stop/Eject Key is pressed.*

## CASSETTE CARE

Two common causes of trouble experienced when using cassettes are:--

- (a) Tape jamming -- Leading to uneven speed in playback, and
- (b) Tape tangling -- Where the tape itself around vital parts of the mechanism.

To reduce the likelihood of these problems occurring, the following precautions should be observed.

Check that there are no loose layers of tape visible through the cassette centre window (see Fig.1). Take up any loose layers, using a pencil or hexagonal barrelled ballpoint pen, before inserting the cassette into the machine (see Fig.2).



Fig.1

If the cassette feels "tight" while performing operation shown in Fig.2, the tape may be jamming due to "ridges" formed in the winding of the tape (visible through the centre window). These may be removed, in most cases, by fast winding of the cassette from one end to the other and back again.



Fig.2

Use only well-known brands of tape.

Avoid use of C-120 cassettes.

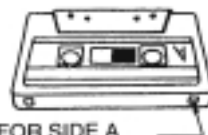
Furthermore, do not expose cassettes to direct sunlight, dust or oil, and do not touch the tape surfaces.

## HEAD CLEANING

The tape heads, pinch roller and capstan require periodic cleaning. This removes particles of the metal oxide coating that wear off the tape accumulate on these and impair performance. Switch off the power, press the Stop/Eject Button to open the cassette door, and press the Play Button. Use a proprietary tape head cleaner.

## PREVENTION AGAINST ACCIDENTAL ERASURE

To prevent a recording on a cassette tape being erased accidentally, break off the tab on the rear of the tape, as in the diagram. Now recording on this side no longer possible. You can render this protection ineffective by covering the hole with a piece of adhesive tape.



TAB FOR SIDE A  
Remove Tab

## MAINTENANCE AND CARE

Electronic products of this kind should never be subjected to extreme temperatures or high humidity. For instance, this set should not be placed in bathing areas or around stoves and radiators.

If necessary, clean the unit with a piece of cloth dampened with water only (BE sure the AC Power Cord is disconnected from the mains). Never use a polish or a strong detergent as this will damage the finish of the cabinet.

This equipment has been designed and manufactured to meet the highest international standards, but, like any electrical apparatus which is operated at mains voltage, care must be taken if you are to obtain the best results and safety is to be assured. This is particularly important with audio equipment.

- DO... Read the operating instruction before you attempt to use the equipment.
- DO... Ensure that all electrical (including the mains plug, extension leads and interconnections between pieces of equipment) are properly made and in accordance with the manufacturer's instructions. Check that the mains fuse rating is correct.
- DO... Always consult your dealer if you are ever in doubt about the installation, operation or safety of your equipment. He is the best person to advise you.
- DON'T... Obstruct the necessary all-round ventilation - especially DON'T stand the set close to curtains or on soft furnishing such as carpets. Overheating can cause unnecessary damage and shorten the life of the set.

Remember that to obtain the best performance and lasting satisfaction from your Equipment, have it regularly maintained by a reliable service organization. Ensure that it is correctly used by all the family.

### **ABOVE ALL...**

Never let children push anything into holes or slots in the case - this could result in an electric shock;

Never guess or **take** chances with electrical equipment of any kind - it is better to be safe than sorry!

## IMPORTANT NOTES

Hearing is very important to you and to us so please take care when operating this equipment. It is strongly recommended that you follow the listed guidelines in order to prevent possible damage or loss of hearing.

### ESTABLISH A SAFE SOUND LEVEL

Over time your hearing will adapt to continuous loud sounds and will give the impression that the volume has in fact been reduced. What seems normal to you may in fact be harmful. To guard against this **BEFORE YOUR HEARING ADAPTS** set the volume at a low lever.

Slowly increase the lever until you can hear comfortably and clearly and without distortion.

Damage to your hearing is accumulative and is irreversible.

Any ringing or discomfort in the ears indicates that the volume is too loud.

Remember listening for prolonged period of time at high volume levers will harm your hearing.

**Once you have established a comfortable listening lever, DO NOT INCREASE THE SOUND LEVEL FURTHER.**

The following list of typical sound levels may assist you in recognising just how loud you have set the volume level.

#### DECIBEL

Lever (dB)	Example
30dB	Quiet library, soft whisper.
40	Living room, fridge, freezer, bedroom away from traffic.
50	Normal conversation, quiet office, light traffic.
60	Electric sewing machine.
70	Vacuum cleaner, hair dryer, noisy restaurant.

#### THE FOLLOWING NOISE CAN BE HARMFUL UNDER CONSTANT EXPOSURE

80dB	Average city traffic, alarm clock buzzer at 2 feet, food mixer.
90dB	Motorcycle, heavy goods vehicle, petrol lawn mower.
100	Pneumatic drill, chain saw, garbage truck, discotheque / night-club
120	Rock band concert, thunderclap, fast train passing by.

#### PERMANENT LOSS OF HEARING

40	THRESHOLD OF PAIN
180	Gunshot 2 feet away, jet plane taking off. Rocket Launching pad.



## TROUBLE SHOOTING

SYMPTOM	REMEDY
<b>TAPE</b>	
1. No Audio from tape.	Tape function has not been selected, Volume has not been set.
2. Poor Voice sound from tape.	Tape heads are dirty, clean heads with a proprietary tape head cleaner.
3. No Audio from microphones.	Ensure microphone switch is ON and adjust mic volume.
4. Poor voice recording from microphone.	Position microphone closer to your mouth or speaker louder. Increase mic volume level.
5. Howlback whistling when using the Microphone.	Stand to the side or behind the main unit when using the microphone, reduce mic volume control and / or reduce the master volume control.
<b>CD</b>	
Will not play disc	Check that disc is clean and free from finger prints/scatches. Try another disc. Disc has been loaded upside down.
<b>CDG</b>	
No picture on TV screen.	<p>Check cable/plug connection as detailed in this manual. See connecting Up. The CD+G System.</p> <p>Ensure CDG disc has been used and that the disc is playing (audio should be heard through the speakers).</p> <p>Normal audio CD does not contain graphics. Check that A/V channel has been selected on the TV.</p> <p>If the VCR is being used to view the graphics on the TV check that the Aux/AV channel has been selected on the VCR and TV.</p>

**Notes:** The auto vocal cut circuitry will only operate on special karaoke tapes. Vocal cut will not operate on ordinary pre-recorded tape.

# SPECIFICATIONS

## Power Supply

AC : 230V ~ 50Hz

## CD Section System

Frequency response : 20Hz ~ 20KHz (+/- 3dB)  
S/N ratio : 65dB  
Wow and Flutter : immeasurable  
D/A converter : 1 bit DAC with 8 times oversampling digital filter  
Number of Program : 32 Steps Random Access Programme

## CDG Section System

System : PAL I  
RF output level : 1 volt

## TAPE Section

Tape Speed : 4.75 cm/sec.  
Track System : 4 Track, 2 Channel Stereo  
Recording System : AC Bias  
Erasing System : Magnetic Erasing  
Output Power : 5W RMS 4 Ohm 10% THD (XB-21)  
: 20W RMS 8 Ohm 10% THD (XB-25)

### Notes:

- (1) Only compact disc's marked with the disc logo.



are guaranteed to work on this player. Home recorded discs (CDR) recorded on home PC's may not play or operate correctly. This player cannot play CD-RW, DVD's including PHOTO CDs, data sections in the CD-Extras, DVD-ROMs etc.

- (2) Should the player lock up during playing of a disc or certain CD function key does not operate during playback. Switch off the power and wait for a moment then switch the power on again. If the problem continues replace the disc.