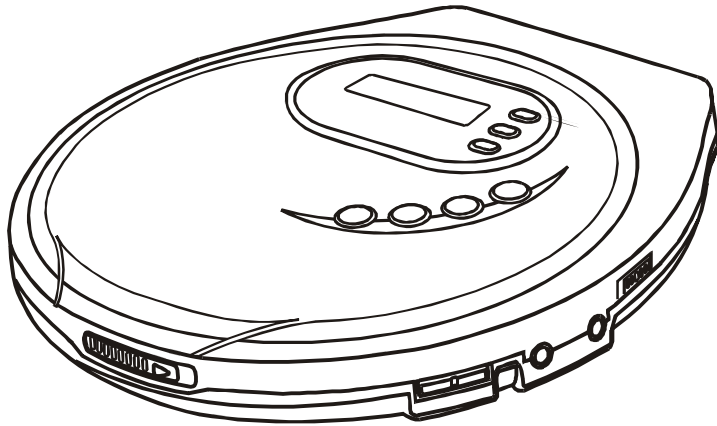


Goodmans

Compact Disc Player

CDMP3 520

Instruction Manual



Performance Note

Whilst this unit has been designed to provide the best possible anti shock protection when on the move, it cannot provide completely uninterrupted playback whilst running or Jogging.

SPECIFICATIONS

Programme Play.....	Up to 64 tracks
Line output.....	0.6V RMS
Earphone output.....	18mW
Power requirement.....	DC 4.5V external and battery 3V ("AA" Cell x 2) (IEC R6. JIS SUM-3 or Ni-MH rechargeable battery)
Dimension.....	130(W) x 28(H) x 140(D) mm
Weight.....	180g not including battery (Main Unit)

For improvement purposed, specification and design are subject to change without notice.

Goodmans Product Information Helpline 02392-391100

IMPORTANT NOTES

Your hearing is very important to you and to us so please take care when operating this equipment. It is strongly recommended that you follow the listed guidelines in order to prevent possible damage or loss of hearing:

ESTABLISH A SAFE SOUND LEVEL

- Over time your hearing will adapt to continuous loud sounds and will give the impression that the volume has in fact been reduced. What seems normal to you may in fact be harmful. To guard against this BEFORE YOUR HEARING ADAPTS set the volume at a low level.
- Slowly increase the level until you can hear comfortably and clearly and without distortion.
- Damage to your hearing is accumulative and is irreversible.
- Any ringing or discomfort in the ears indicates that the volume is too loud.

Once you have established a comfortable listening level, **DO NOT INCREASE THE SOUND LEVEL FURTHER.**

The following list of typical sound levels may assist you in recognizing just how loud you have set the volume level.

DECIBEL

Level dB	Example
30dB	Quiet Library, soft whispers
40	Living room, fridge freezer bedroom away from traffic.
50	Normal conversation, quiet office, light traffic.
60	Electric sewing machine.
70	Vacuum cleaner, hair dryer, noisy restaurant.

THE FOLLOWING NOISES CAN BE HARMFUL UNDER CONSTANT EXPOSURE

80dB	Average city traffic, alarm clock buzzer at 2 feet, food mixer.
90	Motorcycle, heavy goods vehicle, petrol lawn mower.
100	Pneumatic drill, chain saw, garbage truck, discotec / night - club.
120	Rock band concert, thunderclap.

PERMANENT LOSS OF HEARING

140	THRESHOLD OF PAIN Gunshot 2 feet away.
180	Rocket Launching pad.

IMPORTANT NOTES

1. This product does not contain a separate Power On / Off switch. After inserting a disc and installing batteries / AC adaptor, simply press the Play button to switch on and play a disc.
2. In order to maximise battery life and provide optimum playing time this product incorporates an Auto Power Off function. The power to the player will automatically switch off approximately 60 Seconds after a disc has finished playing or when the CD lid is opened.
3. The ESP function is automatically engaged. When playback starts for more information. Please refer to section 3 of these instructions.

TABLE OF CONTENTS

Location of Controls.....	1
Power Sources Batteries/AC adaptor.....	2
Digital anti-shock/ Rechargeable Batteries operation.....	3
Earphone and Hi-Fi Connection.....	4

Player Operation (see reverse of this sheet)

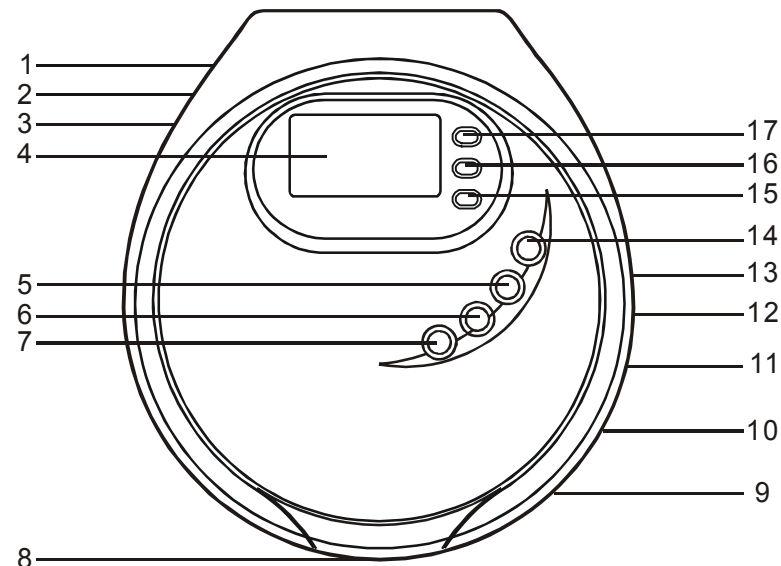
Basic Disc Play.....	5
LCD Display Information.....	6
Repeat/Play Modes.....	7
Intro Scan and Programmed Track Play	8
Random Play.....	9
Skip and Search Functions.....	10
Mp3 disc operation.....	11
Player Maintenance.....	12
MP3-CD PLAYBACK.....	13
Disc Cleaning and Troubleshooting Guide.....	14

WARNING

To prevent fire or shock hazard, do not expose the unit to rain or moisture.

To avoid electrical shock, do not open the cabinet. Refer servicing to qualified personnel only.

1. LOCATION OF CONTROLS



- | | |
|-----------------------------|--------------------------|
| 1. DC 4.5V Input Socket | 10. VOLUME Control Knob |
| 2. Recharge LED | 11. Earphone Socket |
| 3. Recharge Switch | 12. LINE OUT Socket |
| 4. LCD Display Window | 13. Hold Switch |
| 5. Stop ■ Button | 14. Play/Pause ►► Button |
| 6. Skip Search ►► Button | 15. PROG. Button |
| 7. Skip Search ◀◀ Button | 16. MODE Button |
| 8. CD Door Open Switch | 17. ESP/ALBUM Button |
| 9. DBBS - Bass Boost Switch | |

2. POWER SOURCES NORMAL BATTERIES/AC ADAPTOR

Battery Power Operation

1. Open the battery compartment cover and insert two 'AA' alkaline batteries inside the battery compartment. Follow the polarity as indicated on the bottom of the cabinet.
2. Close the battery compartment cover.

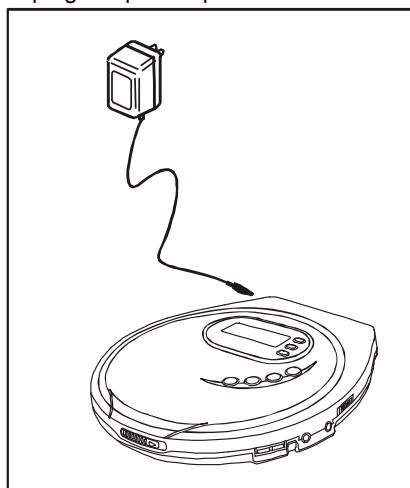
Battery Type	Average Playing Time (Continuous Play)	
	MP3 Play Mode	CD Play Mode
Alkaline MN 1500, LR 6 or Equivalent	20 Hours	20 Hours
Ni-MH rechargeable (min. specification recommended 1.2V-1200mA)	2 Hours	3 Hours

Note: Zinc/Carbon, or Zinc/Chloride type batteries are not recommended for this unit as their use will result in extremely short playing times. Wherever possible and for economy it is recommended that the mains adaptor supplied with this unit is used.

AC Operation

1. Insert the DC plug, at the end of the AC adaptor cord into the DC input jack, at the side of the unit.
2. Plug the AC adaptor (included) into a 230V AC power outlet socket.

Note If the AC plug of this unit does not fit in your AC outlet, a plug adaptor should be used. Consult your local dealer on the type of plug adaptor required.



WARNING
ENSURE THAT THE BATTERY RECHARGE SWITCH IS OFF, WHEN USING THE AC ADAPTOR WITH NON RECHARGEABLE BATTERIES INSTALLED.

3. DIGITAL ANTI SHOCK / RECHARGEABLE BATTERY OPERATION

This player incorporates the latest digital anti shock circuit, which prevents interruption of the sound output if the unit is subjected to shock or vibration during disc playback. The anti shock system will automatically start when a disc is player, **ESP** is shown in the display during start up. If the anti shock function is not required then it can be switched off by pressing the ESP button.



To turn this function off press the ESP button (CD DISC only).

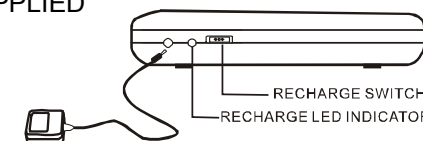
Notes:

1. When using the ANTI SHOCK function the battery power consumption increases because the disc rotates faster than normal and the dynamic memory is active.
2. Whilst the ANTI SHOCK function provides for continuous sound output when the unit is subjected to shock or vibration. It will not correct errors arising from the use of defective scratched or dirty discs.
3. When powering the player solely from batteries, only use the ANTI SHOCK function where necessary to preserve their life.

Rechargeable Battery Operation

This unit can fully recharge the specified rechargeable battery, in approximately 15 hours. The rechargeable batteries (NOT supplied) should be recharged before they are used from the first time because they are low in power or if they have not been used for a long period (over 60 days)

1. Open the battery compartment cover and insert two of the recommended rechargeable batteries, matching polarity. (1.2V 1200mA)
ALL BATTERIES MUST BE OF RECHARGEABLE NICKEL-CADMIUM OR NI-MH, OTHERWISE THE BATTERIES MAY EXPLODE OR LEAK.
2. Plug in the AC adaptor and set the Recharge switch to ON position to start charging. During charging the RED LED charge indicator will illuminate. USE ONLY THE AC ADAPTOR SUPPLIED WITH THE SET FOR CHARGING.



3. After 15 hours. Please unplug the AC adaptor and switch the Recharge switch to the OFF position.
DO NOT CHARGE CONTINUOUSLY FOR 24 HOURS OR MORE. DOING SO CAN CAUSE THE PERFORMANCE OF THE RECHARGEABLE BATTERIES TO DETERIORATE.
IMPORTANT: IF NI-CD BATTERIES ARE USED THE RECHARGE TIME WILL BE AROUND 7-8 HOURS.

Note: You may play DISC'S whilst charging the batteries.

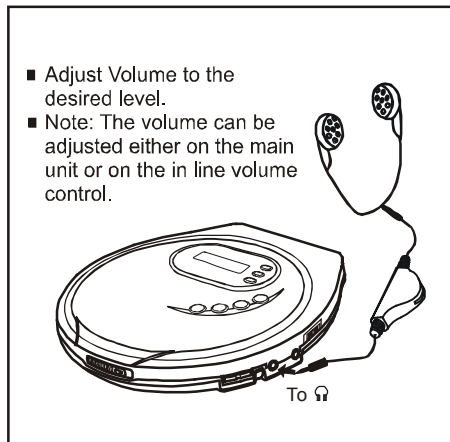
4. If the operating time decreases drastically even when the rechargeable nickel-cadmium batteries are properly recharged, purchase a new set of rechargeable nickel-cadmium batteries.
5. When charging for the first time or after a long time, playing time may be reduced. In this case, charge and discharge the batteries several times

4. EARPHONE AND HI-FI CONNECTION

Listening with the earphone

Connect the plug of the stereo Earphone (supplied) into the PHONES socket.

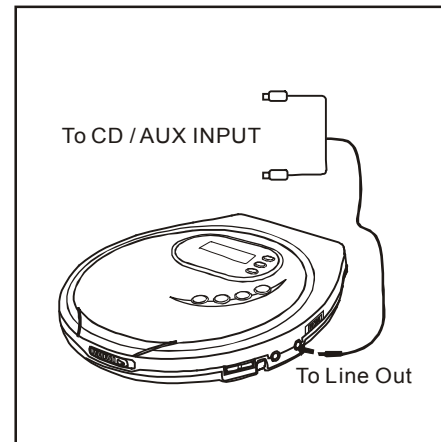
Caution: Avoid excessive volume levels and listening to sound for a long period of time when using earphone.



Connecting to component audio systems

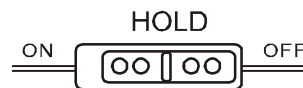
Connect the stereo connection cable (not included) into the LINE OUT (BLACK) socket of the unit and the CD/AUX inputs of an audio system.

Note: Always switch the power off before making any connections between the player and another unit.

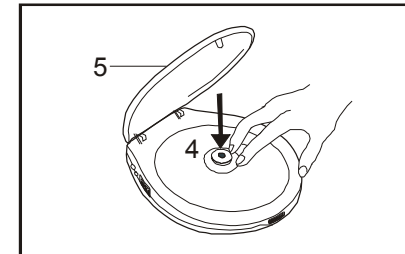
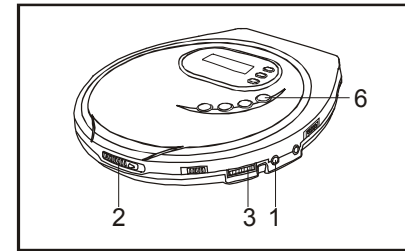


LOCKING THE CONTROL

You can lock the controls on your CD player to prevent accidental button presses. Slide HOLD switch to the "ON" position, if a button is pressed when the hold function is active "HOLD" will be shown in the display.

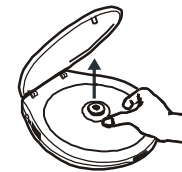


5. BASIC DISC PLAY



Remove the disc


Hold the edge and gently press the centre pivot as illustrated, then pick up the disc.



CAUTION:

Wait for the disc to stop rotating before sliding the OPEN switch.

NOTE:

Only compact disc marked with the  Logo are guaranteed to work on this player. Home recorded disc's (CDR/CDRW) recorded on home PC's may not play or operate correctly. This unit can play 3" (8cm) single CD's without an adaptor. Do not use a CD single adaptor for these discs.

Ensure the hold switch is off.

1. Connect the earphones to the PHONES socket.
2. Slide the OPEN switch to open the CD compartment lid.
3. Adjust the VOLUME to minimum.
4. Insert the disc with the label side facing up. Push down in the centre until disc is locked in place.
5. Close the lid securely until a click is heard.
6. Press the PLAY button to start playing.

To Emphasize the bass sound

Set the BASS BOOST (DBBS) switch to the ON position.



Note:

The bass boost performance will be dependant on the VOLUME control setting.

Turning Power on and off

This unit has no ON/OFF switch.
 To turn on: Press ►|| PLAY/PAUSE (playback Starts)

To turn off: Press ■ STOP button once to standby mode.
 Press STOP ■ button twice, to turn off the power immediately.

Auto power - off function

When the unit is stopped (standby mode) for approximately 1 minute, the power is automatically turned off.

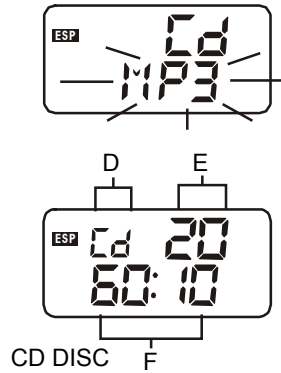
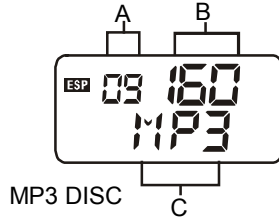
6. LCD DISPLAY INFORMATION

When the ►|| is pressed at initial start up

The display will briefly show **ESP** and **CD MP3** then proceed to start playback.

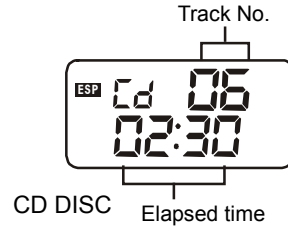
To review the total number of ALBUM and tracks on the disc and total disc times, press the ■ STOP button once.

- A: TOTAL ALBUMS
- B: TOTAL TRACK
- C: SHOWS MP3
- D: SHOWS CD
- E: TOTAL TRACK
- F: TOTAL DISC TIME



During PLAY mode

The track number and the elapsed playing time are displayed.



During PAUSE mode


The track playback is paused, the elapsed time flashes.



Note:

When the lid is opened during play mode "OPEN" shows in the display indicating the door is open.

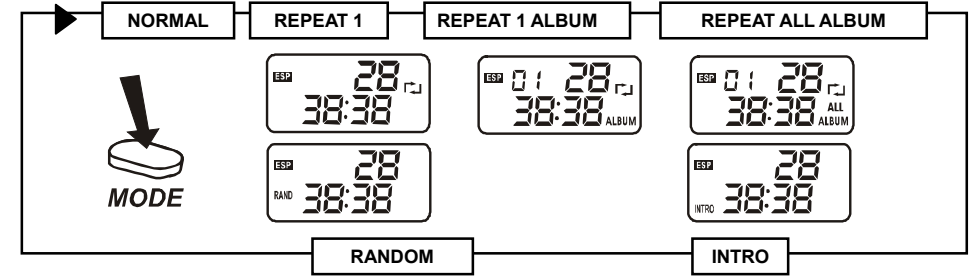
Note:

A flashing  indication appears on the display when the batteries need to be changed or recharged.



7. REPEAT/PLAY MODES

Every time the CD MODE button is pressed. The corresponding mode appears in the display window.



Shows in the LCD display. The current track on the disc will be repeated.



Shows in the LCD display. All tracks on the disc will be repeated.



*MP3 Disc only

Shows in the LCD display. All tracks of the album on the disc will be repeated.



*MP3 Disc only

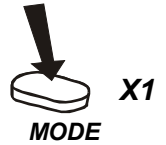
Shows in the LCD display. All tracks on the disc will be repeated.

NORMAL PLAYBACK

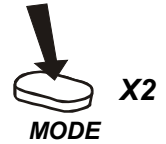
Play the whole disc.



During playback or stop



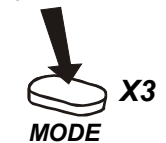
During playback or stop



During playback or stop



During playback or stop



Press once to play



8. INTRO SCAN AND PROGRAMMED TRACK PLAY

INTRO

Play the first 10 seconds of each track on the disc.



When in the STOP mode press the MODE button three times and then press the PLAY/PAUSE button to start INTRO playback.

During disc playback press the MODE button three times and then press the back skip button to start INTRO playback. Alternatively INTRO will start at the end of the current playing track.

NOTE: To select the INTRO function in MP3 disc, press the MODE button four times.

PROGRAMME

This allows selected tracks on the disc to be played in any desired order.

To set the programme play

Programmes can only be set in the STOP mode.

1. Press the PROGRAM button when the unit is in the stop mode.

The track number and indicator appear in the display.

2. Press or to select the desired track.
3. Press the PROG button to enter the track into memory.
4. Repeat step 2 and 3 to programme up to 64 tracks memory.
5. Press to start the programmed play.
6. To erase the program, press the STOP button twice.



Track no. of the first Desired selection



The second selection



To set the Programme play in Mp3

Programmes can be set in the STOP mode.

1. Press the PROGRAM button when the unit is in the stop mode.

The indicator and ALBUM number flashes in the display.



8. INTRO SCAN AND PROGRAMMED TRACK PLAY

(Continued)

2. Press or to select the desired ALBUM number.
3. Press the PROGRAM button to enter the ALBUM number into the memory.
4. Press or to select the desired track.
5. Press the PROGRAM button to enter the track into the memory.
6. Repeat step 2 to 5 to program up to 64 tracks.
7. Press to start the programmed play.
8. To erase the program, press the STOP button twice.



9. RANDOM PLAY

RAND

Enables all the tracks on a disc to be played in a Random (Shuffle) sequence.

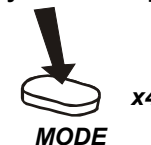
For example : If "RAND" is selected while playing track 8, the random function will commence once track 8 has ended.

When all tracks on a disc have been played the player will automatically stop and power down in approx. 60 seconds to preserve battery life.



CD DISC

During playback or stop

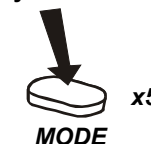


Press MODE button again to return to the NORMAL play mode.



MP3 DISC

During playback or stop



If there is MP3 Disc in player, the random function will be playback all tracks of the current album and than automatically go to next album.

10. SKIP AND SEARCH FUNCTIONS

Locating a Particular track

To skip back to the beginning of the current or a previous track	Press ⏮ lightly and repeatedly.
To skip to the beginning of following tracks	Press ⏭ lightly and repeatedly.

Locating a Particular Point in a track

To search back at a high speed	Keep ⏮ depressed
To search forward at a high speed	Keep ⏭ depressed

Low level audio will be heard during the search process to assist in locating correct point in the track.

NOTE: Audio is muted when searching in MP3 mode.

DISC Navigation in MP3

* ALBUM number can be set in the STOP mode or normal play mode.
Press the ESP button to select the desired ALBUM number.
Each press of the ESP button will advance the album by one.

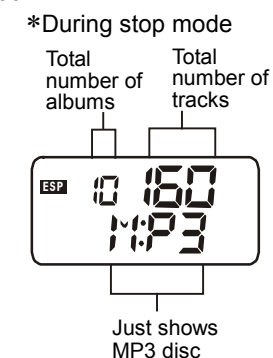
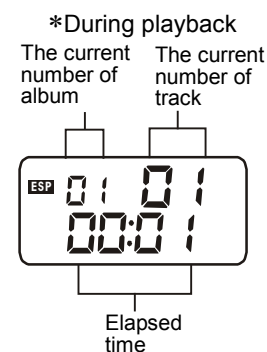
11. MP3 DISC OPERATION

Playing MP3 DISC

1. Place an MP3 CD(Pre or home recorded) into the player and ensure it is locked in place on the center spindle.
2. Press the **▶||** button to start playback. Allow around 15 seconds for the disc to be read and playback to start. Playback will start from Album 1 track 1.
3. Press **■** button to stop playback.

MP3 Support (MPEG 1, layer 1/ 2/ 3)

1. Sampling frequency : 32KHz, 44.1KHz, 48KHz
2. MPEG rate : supported 32 ~ 384 Kbps
3. MP3 playback : ISO9660 format compatible
4. Maximum file support : Album (Directory) 99.
File (Track) 300



12. PLAYER MAINTENANCE

Cleaning the Cabinet

Wipe with a soft cloth. If the cabinet is very dirty, dampen the cloth with a weak solution of neutral detergent and water, and then wipe clean.

Cleaning the Lens

A dirty lens will cause sound skipping and, if the lens is very dirty, the CD may not work. Open the disc cover and clean the lens as follows:

Dust or Dry Particles

Using a camera lens brush/blower, blow on the lens a couple of times, then wipe it lightly with the brush to remove dust. Then blow on the lens once more.

Finger prints

If the lens cannot be cleaned by using a brush / blower, use a dry cotton swab starting in the middle and working to the outside edge.



13. MP3-CD PLAYBACK

To play MP3-CDs

IMPORTANT INFORMATION

- Use mp3 as the file extension when creating audio files onto CDR-R/Ws. Do not use any other extensions such as doc, txt, pdf, etc., when creating audio files into MP3 format.
 - Do not use the .mp3 extension for text or other non-audio data files. This may result in serious malfunction of the set and harmful noise interference.
 - Single session means only one session created on the CDR-R/W.
 - **File Directory:** this is the set's display abbreviation for "album or folder". On a PC display, an album is shown as **Folder** in Window Explorer.
 - **Do not attempt to combine CD audio and MP3 tracks within a CDR-R/W, the unit will only be able to playback CD audio tracks from a CD with mixed formats.**
- 1 Place a MP3 CDR-R/W with the label side up and push the CD center lightly to set it in position.
 - 2 Press the PLAY/PAUSE" button to start playback "welcome MP3" number of directions and the number of tracks show on the display. Please note reading an MP3 CD will take 10 to 30 seconds depending on quantity of files to be read.
 - 3 Press STOP button to stop playback.
Playback stops and the display shows the total number of tracks and total number of directories/folders.

Selecting and searching a track/album

The following table shows the different functions available when playing Audio CD or MP3 CDs.

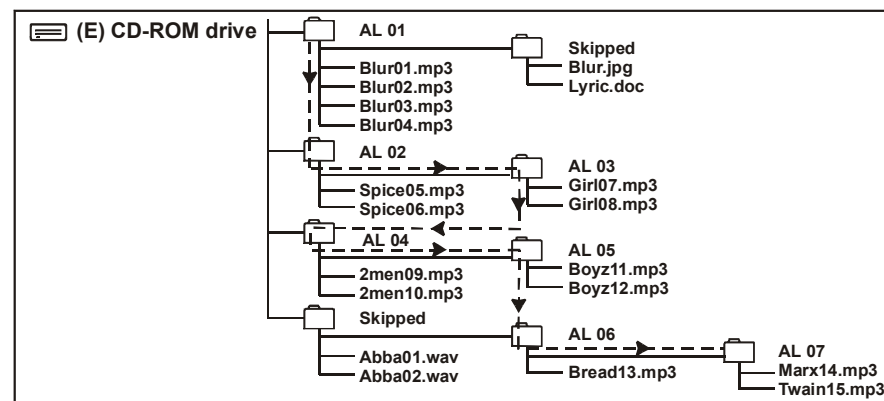
- **Single file** is displayed when playing an MP3 CD with only a root directory which contains no additional albums (folders).
- **With albums** means a MP3 CD with more than one album (folders), and is shown by directory and a number on the display, as AL 09, AL10, etc.

Function	CD audio	MP3	MP3 (with multiple Files)
Track select	✓	✓	✓
Music search	✓	✓	✓
Fast track select		✓	✓
Fast album select			✓

13. MP3-CD PLAYBACK (Continued)

Single session / Multi session

- The following chart is an example of a **Windows Explorer** display for a single session MP3 CDR-R/W disc. Check the added Notes to help you understand the MP3 CD unit display, the playback sequence of albums and tracks on single session MP3 CDs.
- Multi-session - Computer user does not need to finalize the CDR-R/W disc when the music is down-loaded from the internet. The music can be downloaded in different times until the whole disc is fully loaded and can play out in the unit.



Notes: --> Arrow pathway show the sequence of MP3 album and track playback.

AL01-AL07 This CD ROM example has a total number of 7 MP3 albums (folders). Blur01.mp3-Twain15.mp3 This CD ROM example has a total number of 15 tracks, where '01' is the first track and '15' is the last track.

Skipped indicates an album which contains non-audio files such as: jpg, wav., doc. etc. These cannot be detected nor played on the MP3-CD player, When an album contains mixed format files, the non-MP3 files will be skipped.

MP3 Properties

MPEG rate :32 ~ 384Kbps
 Sampling Frequency :8-48KHz
 MPEG 1/2/2.5 :Layer 2/3
 MP3 playback :ISO9660 format compatible
 Maximum file support :Album (Directory) 99, File (Track) 300

* Support for "Multi session and Packet write."
 Soft wares section of your computer will have this confirmation.

14. DISC CLEANING AND TROUBLESHOOTING GUIDE

Cleaning the disc

When a disc becomes dirty, clean it with a cleaning cloth. Wipe the disc from the centre out.



Note

Do not use solvents such as benzine petrol, thinner, commercially available cleaners or anti-static spray intended for analogue discs. Should you experience difficulties in the use of this player please refer to the following chart before contacting your dealer or the place of purchase.

Troubleshooting Guide	
Problem	Points to Check
Player fails to function	<ul style="list-style-type: none"> CDRW disc used - not supported on this model Disc may be inserted upside down Disc not mounted correctly Dirty or defective disc Dirty pick up lens Player lid not closed Moisture/Condensation, allow player to warm up to room temperature for 60 minutes AC power to adaptor switched off Weak batteries Auto power off has occurred, press play button to restore power
No sound from Earphones	<ul style="list-style-type: none"> Earphone plug is not firmly inserted into the Green Phones socket. Earphone have been inserted into the Black line output socket.
No sound when played through an external amplifier	<ul style="list-style-type: none"> Connection is incorrect Power to external amplifier not switched on
Intermittent sound	<ul style="list-style-type: none"> Dirty or defective disc Dirty pick up lens Player is subject to excessive vibration or shock Low battery power Poor Earphone connection