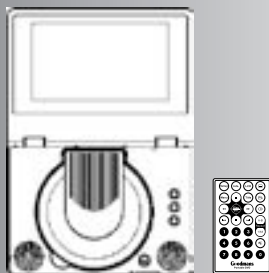


Goodmans



GDVD67W4LCDAC

Portable DVD Player
With Remote Control

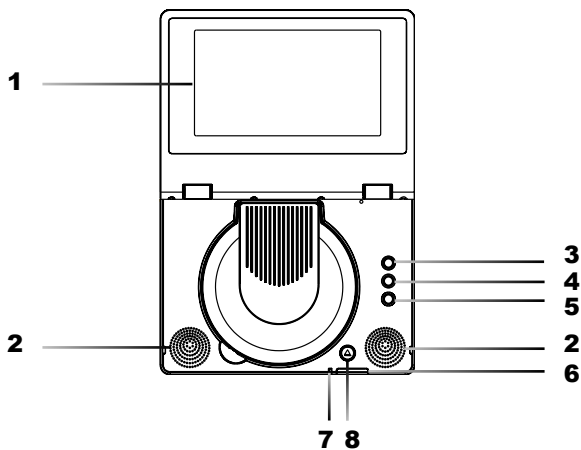
Quick Guide

Package Contents

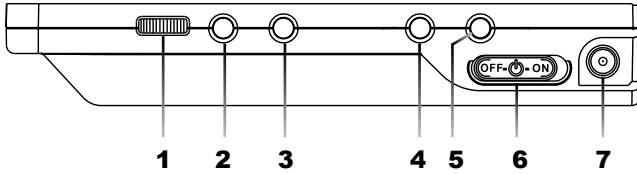
1. Portable DVD player x 1
2. RCA Audio cable x 1
3. RCA Video cable x 1
4. 12-Volt cigar adaptor plug x 1
5. Earphone x 1
6. Carry bag x 1
7. Remote Control x 1
8. Power adaptor x 1

Getting to Know Your Portable DVD Player

Front view

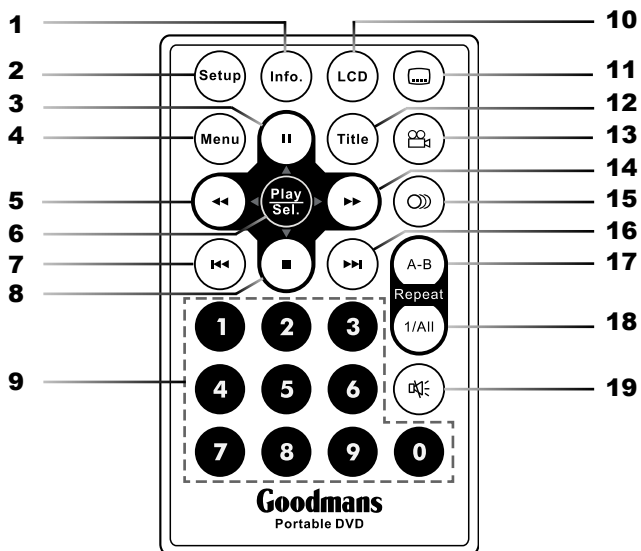


1. LCD screen
2. SPEAKERS
3. PLAY button
4. PAUSE button
5. STOP button
6. Remote sensor
7. Power indicator
8. OPEN button

Right side

- | | | | |
|----|--|----|----------------------------|
| 1. | Volume control | 5. | Video output socket |
| 2. | Headphones socket | 6. | POWER switch |
| 3. | Coaxial output socket (Digital Audio) | 7. | DC IN Socket |
| 4. | Audio output socket | | |

Remote Control



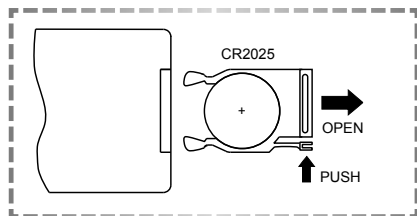
- | | | | |
|-----|--------------------------|-----|----------------------------|
| 1. | INFO. button | 11. | SUBTITLE button |
| 2. | SETUP button | 12. | TITLE button |
| 3. | PAUSE/UP button | 13. | ANGLE button |
| 4. | MENU button | 14. | F.FWD/RIGHT button |
| 5. | F.BWD/LEFT button | 15. | AUDIO button |
| 6. | PLAY/SEL. button | 16. | NEXT button |
| 7. | PREVIOUS button | 17. | A-B REPEAT button |
| 8. | STOP/DOWN button | 18. | 1/ALL REPEAT button |
| 9. | NUMERICAL buttons | 19. | MUTE button |
| 10. | LCD button | | |

Battery installation for the remote control

Insert the battery and match the (+) and (-) on battery to the marks inside the battery compartment.

First-time use:

Remember to remove the insulating Mylon piece from the battery.



Service life of battery

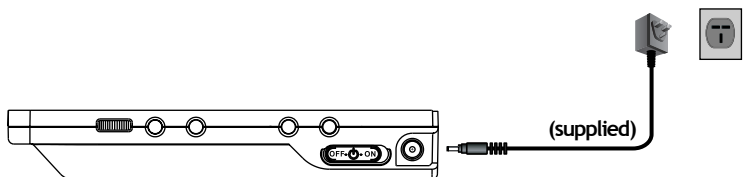
1. If the remote control unit fails to work even when it is operated near the player, replace the battery.
2. Use a 3V lithium battery.(CR2025)

Power Supply

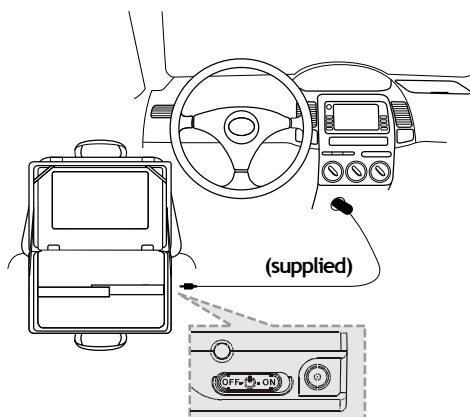
Connecting the portable DVD player to Power.

Connect the supplied AC power adaptor or 12 volt cigar adaptor plug to the DC IN socket on the player, the other end to the wall outlet or the cigar lighter socket.

(a) By AC power adaptor



(b) By cigar adaptor plug

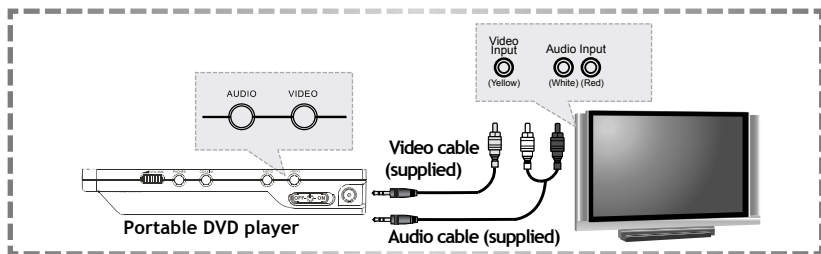


Connection

Connecting to a TV

Note:

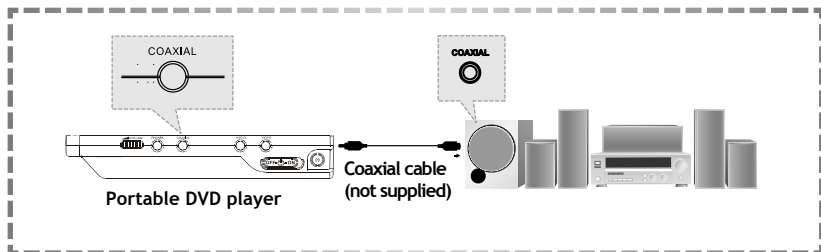
1. Before connecting, make sure to turn the power off to your TV and portable DVD player.



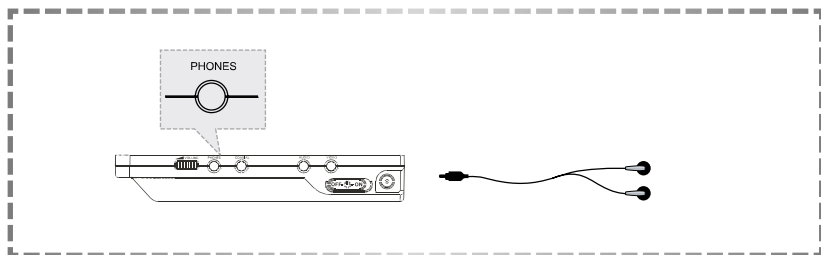
Connecting to external equipment

Note:

1. Before connecting, make sure to turn the power off to portable DVD player and external equipment.



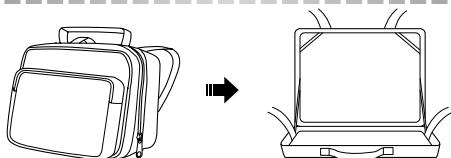
Connecting earphones



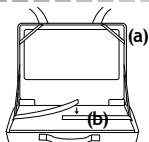
How to Use In a Vehicle

For using the portable DVD player in a vehicle, please read the following instructions:

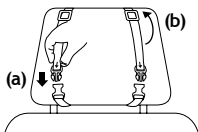
STEP 1. Unzip and open the carry bag.



STEP 2. Pack your DVD player into the carry bag. (a) Adjust the elastic straps and tighten it securely. (b) Fasten the straps with the velcro.



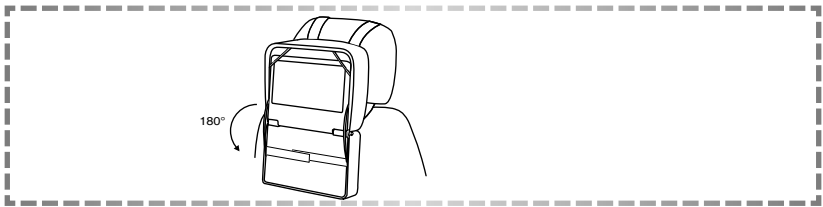
STEP 3. Attach the bag to the headrest part by two steps. (a) Snap the buckles together. (b) Adjust the straps with the stoppers.



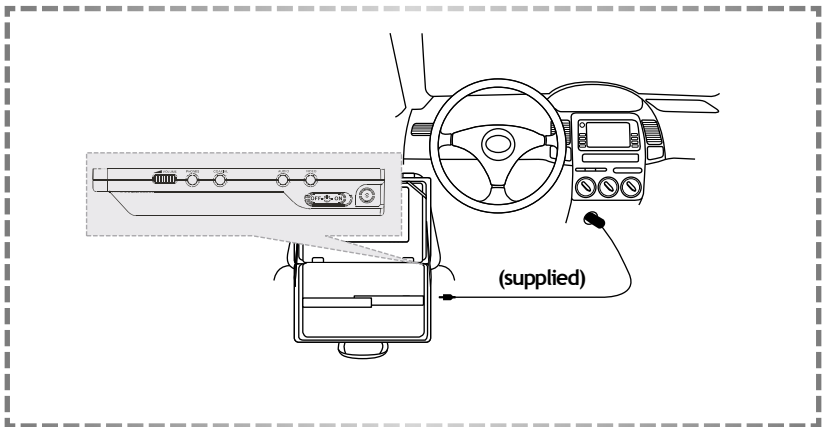
STEP 4.

Flatten this unit.

Note: To place a disc, bend the base of the player upward at a 90° angle.

**STEP 5.**

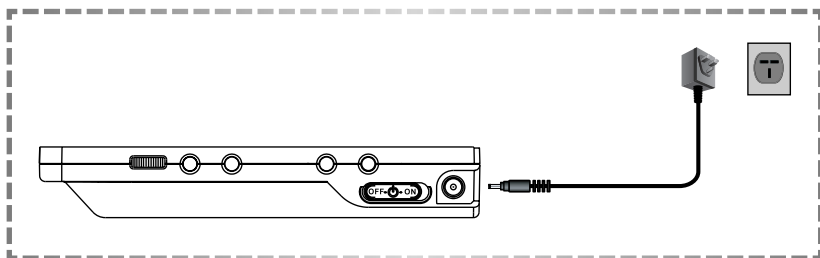
Connect the cigar adaptor plug to the power socket on the portable DVD player, the other end to the cigar lighter socket.



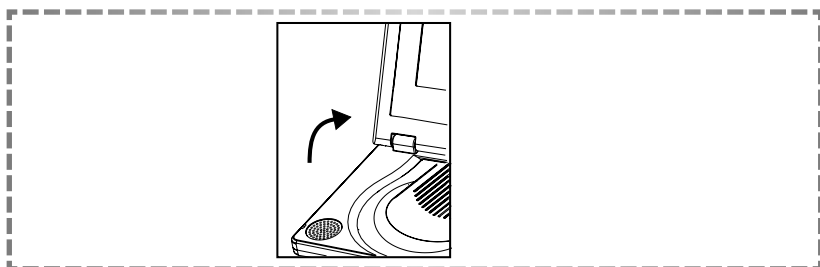
Playing a Disc

STEP 1. Connect it to Power.

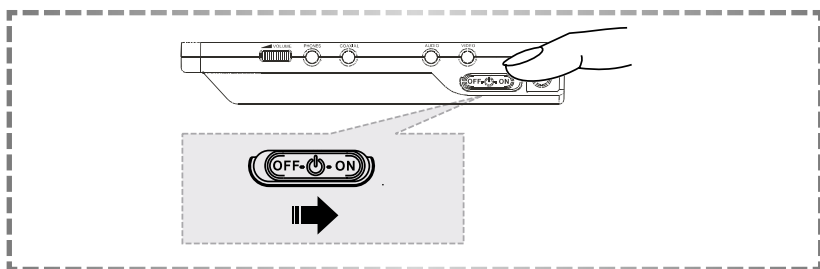
- (a) Connect the supplied AC power adaptor to a wall outlet mains socket
- (b) Connect to supplied 12 Volt cigar adaptor plug in a car



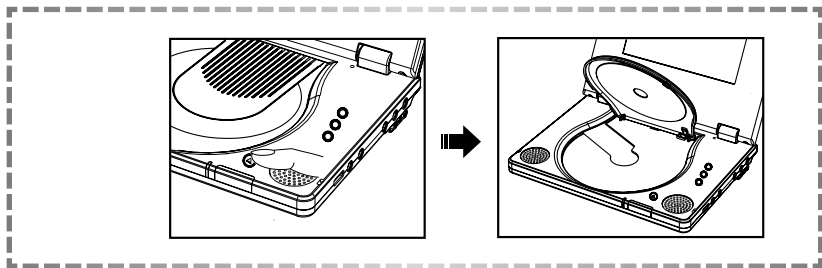
STEP 2. Open the display panel.



STEP 3. Slide POWER switch to the ON position to turn on the portable DVD player.



STEP 4. Press OPEN button to open the DVD Door.



STEP 5. Gently hold the edge of the disc, then place it in the centre and push gently until the disc is securely located with the printed side up.

STEP 6. Close the DVD Door.

STEP 7. Press PLAY/SEL. to play the disc.