

Need extra information or help setting up?

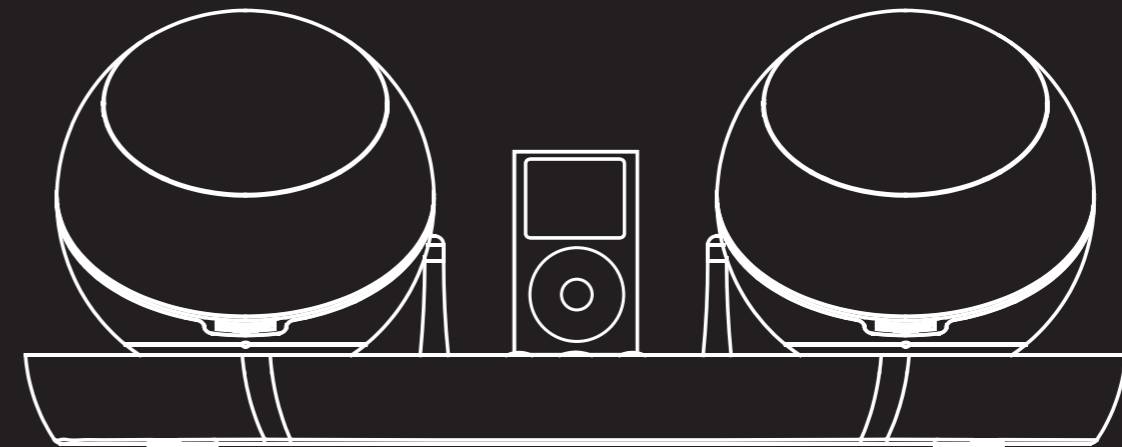
You may find the information you are looking for on our website.

www.goodmans.co.uk

Goodmans

GSPK28WIP

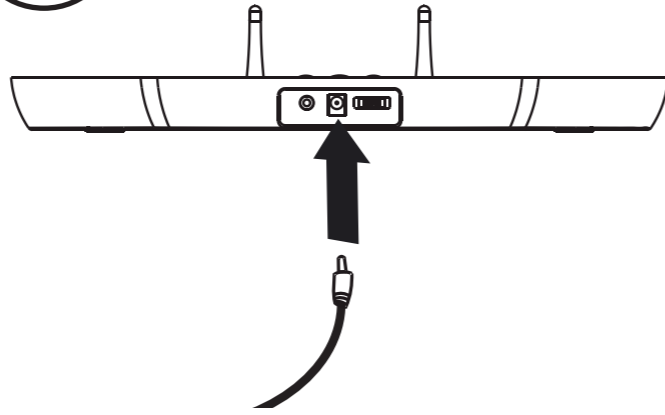
Wireless Speaker System with iPod Dock



Start here

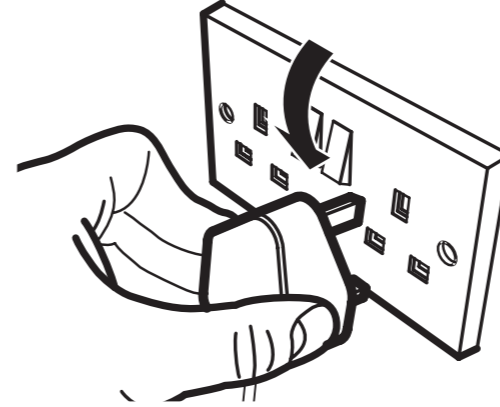
You will be setup in 8 easy steps

1



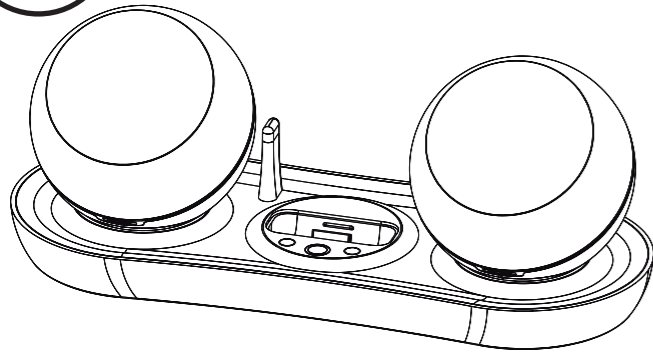
Connect the power adaptor lead to the **DC INPUT** socket on the rear of the Speaker System.

2



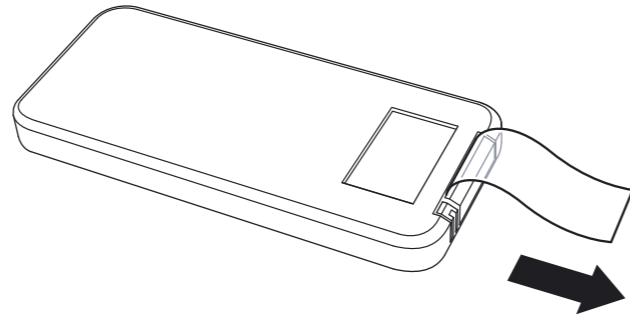
Insert the power adaptor in to the wall socket and switch the socket On.

3



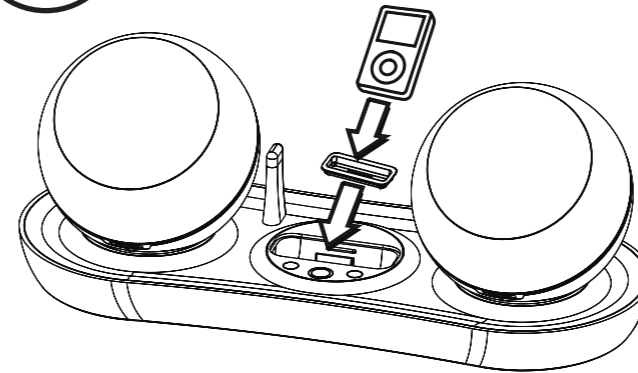
Place the Wireless Speaker Pods onto the Speaker System to charge them up. **It will take 2-3 hours to fully charge them.**

4



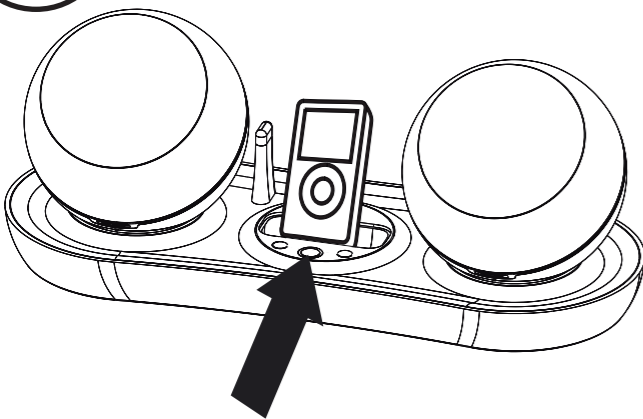
Remove the safety tab from the remote control.

5



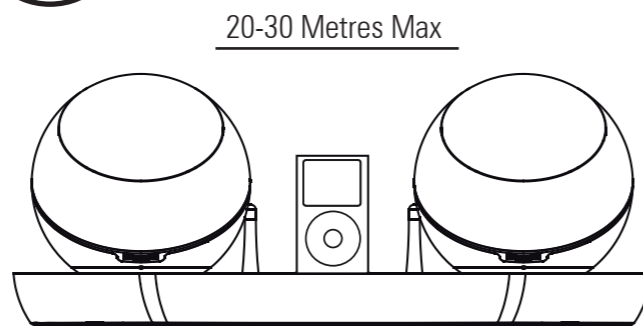
Place your iPod into the dock on the Speaker System using the adaptors supplied.

6



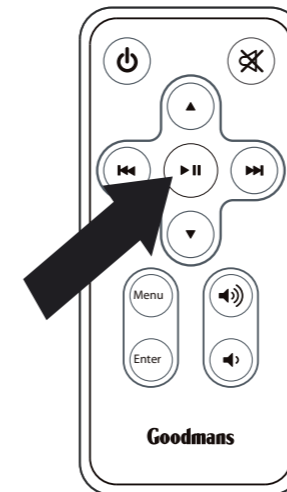
Press the **STANDBY** button to turn on the Speaker System.

7



Position your Wireless Speaker Pods.

8



Point the remote control at the front of the Speaker System and press **PLAY** to listen to your iPod tracks.

You are now ready to use your new Speaker System. To learn about your Speaker System look in the main user guide.