

Goodmans

MICRO1104HDAB DAB MICRO SYSTEM



INSTRUCTION MANUAL

Before operating this unit,
please read this Owners manual carefully.

INTRODUCTION

This instruction manual is important to you. Please read it. In a short time it shows exactly how to connect, operate, and adjust this unit for best performance.

It can save you money. It shows simple things to do and check before you call for help and save the cost of unnecessary service or call out charge.

INTRODUCTION	1
IMPORTANT SAFEGUARDS	2
WARNINGS AND CAUTIONS	3
LOCATION OF CONTROLS	4
CONNECTING THE UNIT AND SPEAKERS	5
CONNECTIONS AND DISPLAY INFORMATION	5
REMOTE CONTROL	6
POWER SOURCE	7
BASIC FUNCTIONS	7
- The clock setting	7
- Turning on the power	7
- Selecting the source	7
- Volume control	7
- Selecting the sound modes	7-8
USING THE CD	8
- Playing the entire disc normal play	8
- Basic disc operations	8
- Programming the track playing order	8-9
DAB - DIGITAL AUDIO BROADCASTS	9-12
CLOCK / TIMER OPERATION	12
- Using the timer	12
- Using the sleep timer	12-13
GENERAL INFORMATION	13
- Maintenance	13
- Trouble Shooting guide	13
SPECIFICATIONS	14

Pack contents :

- 1 x main unit
- 1 x remote control
- 2 x loudspeakers
- 1 x owner manual
- 1 x antenna wire

Please retain all packaging material for future transportation of the unit or in the unlikely event that the unit needs to be returned for service.

IMPORTANT SAFEGUARDS

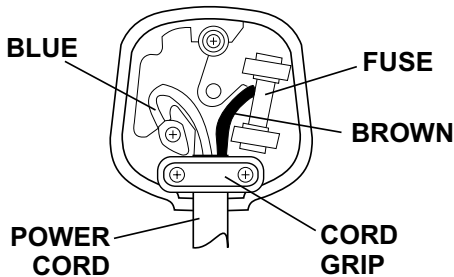
PRE FITTED MAINS PLUGS

For your convenience a mains plug has been fitted to this appliance. For your safety please observe the following information.

1. Should the fuse in the plug fail remove the plug from the wall socket and replace the fuse with a 3 Amp ASTA approved to BS 1362 fuse.
2. Never use the plug without the fuse cover fitted. Replacement fuse covers are available from your dealer or most electrical retail outlets.
3. If the mains plug is cut off the cable, rewire the replacement plug in accordance with instruction give in this manual.
4. **CAUTION:** Under no circumstances should the discarded plug be inserted into the mains socket. To prevent a shock hazard carefully dispose of the discarded plug. Do not leave the plug lying around where children might see it.

WARNING: To prevent fire or shock hazard do not expose this unit to rain or moisture.

CAUTION: DANGEROUS VOLTAGES EXIST INSIDE THIS UNIT. DO NOT REMOVE COVER (OR BACK). NO USER SERVICEABLE PARTS INSIDE REFER SERVICING TO QUALIFIED SERVICE PERSONNEL. DISCONNECT FROM MAINS SUPPLY WHEN NOT IN USE.



These wires in this mains lead are coloured in accordance with the following wiring codes:

Blue.....Neutral
Brown.....Live

These wires in this mains lead must be connected to the terminals in the plug as follows:

Blue Wire.....N or Black
Brown Wire.....L or Red

Only a 3 Amp fuse should be fitted in the plug or a 5 Amp fuse at the distribution board.

WARNING: UNDER NO CIRCUMSTANCES MUST THE LIVE OR NEUTRAL WIRES BE CONNECTED TO THE EARTH TERMINAL IN A 3- PIN MAINS PLUG.



This symbol means that this unit is double insulated. An earth connection is not required.

WARNINGS AND CAUTIONS

CAUTION:

- 1.To reduce the risk of electrical shocks, fire, etc.
 - 2.Do not remove screws, covers or cabinet.
 - 3.Do not expose this appliance to rain or moisture.
- Do not block the ventilation opening or holes.
(If the ventilation openings or holes are blocked by a newspaper or cloth, etc., the heat may not be able to get out.)
 - Do not place any naked flame sources, such as lighted candles, on the apparatus.
 - When discarding batteries, environmental problems must be considered and local rules or laws governing the disposal of these batteries must be followed strictly.
 - Do not use this apparatus in a bathroom or places with water. Also do not place any containers filled with water or liquids (such as cosmetics or medicines, flower vases, potted plants, cups, etc.) on top of this apparatus.
 - The mains plug is used as the disconnect device and it shall remain readily operable. To be completely disconnect the power input, the mains plug of apparatus shall be disconnected from the mains as the disconnect devices is the mains plug.
 - When there is no display, the apparatus is completely disconnected from the mains.
 - The apparatus shall not be exposed to dripping or Splashing and that no objects filled with liquids, such as Vases, shall be placed the apparatus.
 - The mains plug is used as the disconnect device, the disconnect device shall remain readily operable.
 - Always remember to remove the plug from the mains socket before disconnecting the power lead from the back of the unit.
 - The marking plate is located at bottom enclosure.



Noted : See marking on Bottom / Rear Cabinet

IMPORTANT FOR LASER PRODUCTS

1. CLASSIFICATION LABEL,
PLACED ON REAR OF THE UNIT.

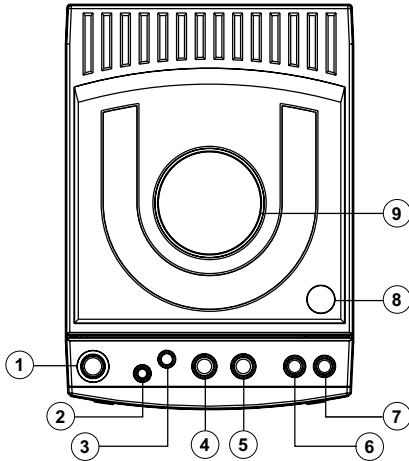


2. WARNING LABEL, PLACED ON REAR OF THE UNIT.

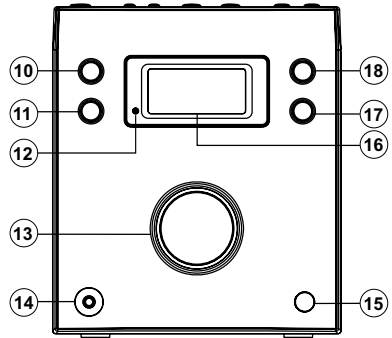
<p>WARNING : <i>To reduce the risk of fire or electric shock, do not expose this appliance to rain or moisture.</i></p> <p>CAUTION : <i>Use of controls or adjustments or performance of procedures other than those specified may result in hazardous radiation exposure.</i></p>
<p style="text-align: center;">CAUTION</p> <p style="text-align: center;">RISK OF ELECTRIC SHOCK DO NOT OPEN</p> <p style="text-align: center;">To reduce the risk of electric shock, do not remove cover (or back). No user serviceable parts inside. Refer servicing to qualified service personnel.</p>
<p> <i>The lightning flash with arrowhead symbol, with in an equilateral triangle, is intended to alert user to the presence of uninsulated " dangerous voltage " within the products enclosure that may be of sufficient magnitude to constitute a risk of electric shock to persons.</i></p> <p> <i>The exclamation point within an equilateral triangle is intended to alert the user to the pesence of important operating and maintenance (servicing) instruction in the literature accompanying the appliance.</i></p>
<p>CAUTION INVISIBLE LASER RADIATION WHEN OPEN AND INTERLOCK FAILED OR DEFEATED AVOID DIRECT EXPOSURE TO LASER BEAM.</p>

3. **CAUTION:** Do not open the unit. There are no user serviceable parts inside the unit; Leave all servicing to qualified service personnel.

LOCATION OF CONTROLS

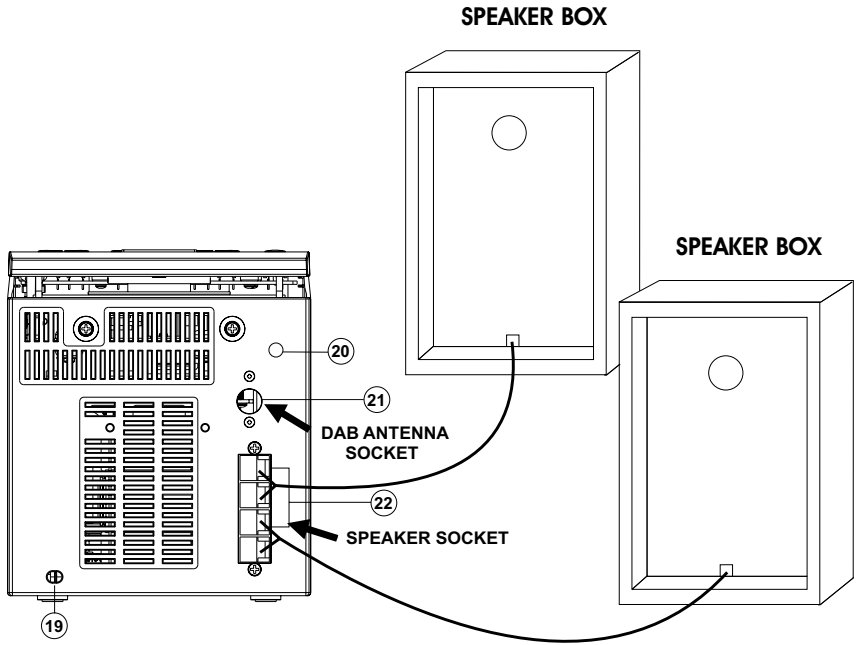


1. **STANDBY / ON Button**
To toggle the system between Power on and Stand-by status.
2. **SKIP/PRESET DOWN ◀◀ button**
CD: skip to the previous track.
DAB: Select a preset station.
3. **SKIP/PRESET UP ▶▶ button**
CD: skip to the next track.
DAB: Select a preset station.
4. **SCAN/STOP ■ button**
CD: To stop CD playback. In CD stop mode, clear the programme memories during "Programme" function.
DAB: Starts auto scanning.
5. **SELECT/PLAY/PAUSE ▶|| button**
CD: To start or pause CD playback.
DAB: Select the desired station.
6. **SCROLL/SEARCH DOWN button**
CD: To search backward or skip to the previous track in CD mode.
DAB: Station selection and navigating services.
7. **SCROLL/SEARCH UP button**
CD: To search forward or skip to the next track in CD mode.
DAB: Station selection and navigating services.
8. **OPEN/CLOSE button**
To open or close the disc tray
9. **CD DOOR**



10. **SOURCE button**
Switches unit between DAB, CD or AUX mode.
11. **REPEAT button**
CD: Cycles Repeat 1 track → Repeat all track → Repeat off .
12. **POWER/STANDBY LED indicator**
13. **VOLUME UP + / - control**
Increase the volume.
Decrease the volume.
14. **HEADPHONE SOCKET**
To listen to the unit with headphones (not included)
Note :
When headphones are connected the sound to the speakers is automatically muted.
15. **IR SENSOR**
To receive signals from the remote control.
16. **DISPLAY**
17. **DISPLAY/REMAIN button**
CD: To select remain time or total time.
DAB: Cycles the information displayed:
Scrolling DLS; Programme Type; Service Type;
Time & date; Channel & Frequency; Bitrate
Mode; Signal Error Rate;
18. **CLOCK/SLEEP button**
To press once will display/close the clock information. When unit at the power on status press and hold the key beyond 2 second will enter into view sleep time mode about 7 seconds; and press the key again will set the sleep time "120 mins → 110 mins → 100 mins → 90 mins → 80 mins → 70 mins → 60 mins → 50 mins → 40 mins → 30 mins → 20 mins → 10 mins → sleep off→ 120 mins cyclically.

CONNECTING THE UNIT AND SPEAKERS



- 19. AC POWER cord
- 20. AUX in
- 21. DAB antenna socket
- 22. SPEAKER socket

Notes:
 For optimal sound performance, it is recommended to use the supplied speakers.
 Do not connect more than one speaker to +/- speaker terminal.

CONNECTIONS

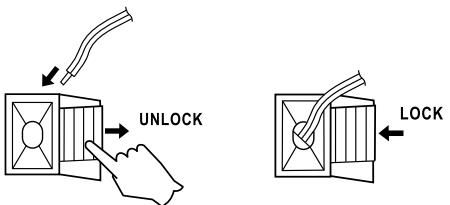
CONNECT THE DAB ANTENNA

Connect the supplied **DAB** antenna to the **DAB ANT** input on back of the system. Adjust the position of the **DAB** antenna for best reception and ensure the screw connection is fully tightened.

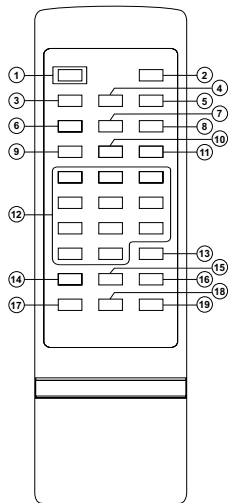
SPEAKERS CONNECTION

- Connect the right speaker to terminal marked “R”, with the red wire to + and the black wire to -.
- Connect the left speaker to terminal marked “L”, with the red wire to + and the black wire to -.
- Clip the stripped portion of the speaker wire as shown.

DISPLAY INFORMATION



REMOTE CONTROL



1. STANDBY / ON

To toggle the system between Power on and Stand-by status.

2. SOURCE

Switches CD, DAB or AUX as input source.

3. RANDOM/MENU

CD: Starts random play when in CD mode, and enter menu structure in DAB mode.

DAB: Enter menu structure.

4. SCAN/STOP

DAB: To press the key once will execute local scanning. To press and hold the key beyond 2 seconds will execute the full band III scanning.

CD: Stop playback.

CD: Press the key once will cleared the stored PROGRAM in stop mode.

5. SELECT/PLAY/PAUSE

DAB: Select the desired station or items, or display the signal strength when in DAB mode.

CD: To press the key PLAY/PAUSE in CD mode

6. REPEAT

CD: Select "Repeat 1 track → Repeat all track → Repeat off".

7. SCROLL SEARCH -

CD: To search backward.

DAB: Scroll down the items of menu or browse backward the station. During the unit setting the clock or timer, the key is used to change the setting value.

8. SCROLL SEARCH +

CD: To search forward.

DAB: Scroll up the items of menu or browse forward the station. During the unit setting the clock or timer, the key is used to change the setting value.

9. PROGRAM

CD: When in stop mode, enter memory registration mode and setting program.

DAB: to register the station to the memory with the preset number.

Set clock/timer.

10. SKIP/PRESET -

CD: skip to the previous track.

DAB: Select a preset station

11. SKIP/PRESET +

CD: skip to next track.

DAB: Select a preset station.

12. DIGIT (0-9,10+)

CD: Select the number directed accessing the track.

DAB: Select a preset station.

13. DISPLAY / REMAIN

CD: Select the CD remain time display at CD normal play.

DAB: Cyclically change the information displayed: (Scrolling DLS; Program Type; Service Type; Time and date; Channel & Frequency; Bit rate Mode; Signal Error Rate.)

14. EQ / X-BASS

Cyclically change the EQ effect: (Flat → Rock → Pop → Classic → Jazz → Flat); Toggle the BASS effect between On and Off.

15. TIMER

Press the key short will enable/disable the timer.

Press and hold about 2 seconds will enter time setting mode.

16. CLOCK / SLEEP

To press once will display/close the clock information. When unit at the power on status press and hold the key beyond 2 second will enter into view sleep time mode about 7 seconds; and press the key again will set the sleep time "120 mins → 110 mins → 100 mins → 90 mins → 80 mins → 70 mins → 60 mins → 50 mins → 40 mins → 30 mins → 20 mins → 10 mins → sleep off → 120 mins" cyclically.

17. MUTE

To slice the sound.

18. VOLUME -

To decrease the volume.

19. VOLUME +

To increase the volume.

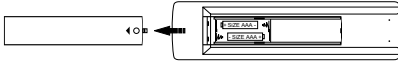
POWER SOURCE

AC POWER SUPPLY

After all other connections have been made. Connect the AC power cord of the system to the wall outlet. The system will be in standby mode.

INSERTING BATTERIES INTO THE REMOTE CONTROL

Insert batteries (type R-03 or UM-4 AAA) into the remote control as shown in the battery compartment.



CAUTION:

- Replace batteries if the remote control fails to work.
- Remove batteries if they are exhausted or not to be used for a long time.
- Batteries contain chemical substances, so they should be disposed of properly.

BASIC FUNCTIONS

THE CLOCK SETTING

Before operating the unit any further, first set the unit's clock.

When you plug in the power cord, "0:00" starts flashing on the display.

You can set the clock when the unit is in standby mode.

1. When the unit is in standby mode, press and hold **CLOCK/SLEEP** until "Clock Setting" appears on the display with "On" flashing.



2. Press **SCROLL/SEARCH DOWN** or **SCROLL/SEARCH UP** to select either 24 or 12 Hour mode, then press **CLOCK/SLEEP** to confirm.



3. Press **SCROLL/SEARCH DOWN** or **SCROLL/SEARCH UP** to adjust the hour, then press **CLOCK/SLEEP** to confirm.

- When you press and hold **SCROLL/SEARCH DOWN** or **SCROLL/SEARCH UP**, the hour indicator changes continuously.
- The minute indicator starts flashing.



4. Press **SCROLL/SEARCH DOWN** or **SCROLL/SEARCH UP** to adjust the minute, then press **CLOCK/SLEEP** to confirm.

- When you press and hold **SCROLL/SEARCH DOWN** or **SCROLL/SEARCH UP**, the minute indicator changes continuously.
- The built-in clock starts work.



Note:

When you unplug the AC power cord or if a power failure occurs, the clock is reset to "0:00" right away. If this happens, set the clock again.

To show the clock when the unit is turned on
Press **CLOCK/SLEEP**

- Each time you press the button, the display changes the clock indication and the normal indication alternately.

TURNING ON THE POWER

To turn on the unit, press **STANDBY/ON**. The STANDBY lamp on the unit goes off.

- When you press the **SOURCE** button, the unit automatically turns on.

To turn off the unit (standby), press **STANDBY/ON** again. The STANDBY lamp on the unit lights red.

- "0:00" flashes on the display until you set the built-in clock. After setting the clock, the clock time will appear steadily on the display while the unit is on standby.

To switch off the power supply completely, unplug the AC power cord from the AC outlet.

SELECTING THE SOURCE

To select the source, press the **SOURCE** button.

VOLUME CONTROL

You can adjust the volume level only while the unit is turned on.

The volume level can be adjusted between "VOL MIN" (VOL 1) and "VOL MAX" (VOL 32).

To increase the volume, rotate **VOLUME** in clockwise on the unit or press **VOLUME ▲** on the remote control.

To decrease the volume, rotate **VOLUME** in anti-clockwise on the unit or press **VOLUME ▼** on the remote control.

To turn off the sound temporarily

Press **MUTE**.

The volume level turn down and "Muted" starts flashing on the display.

Playback will continue without sound and "Muted" will be flashed.

To restore the sound, press **MUTE** again.

Note:

- Adjusting the volume level also cancels the muting.

SELECTING THE SOUND MODES

You can select one of the 4 sound modes.

- This function also affects the sound from headphones or speaker boxes.

To select the sound modes, press **EQ-BASS** repeatedly.

- Each time you press the button, the sound mode changes as follow:

