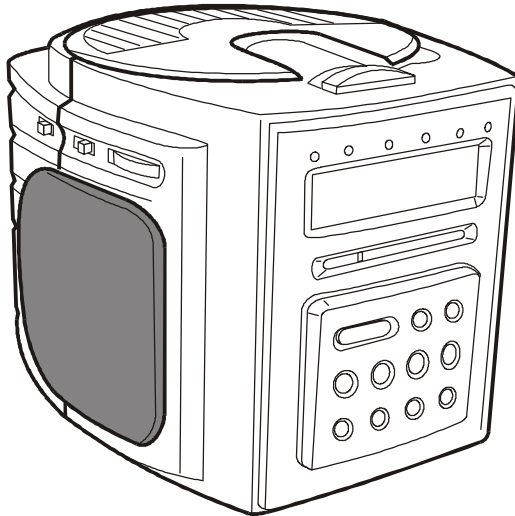


Goodmans

CD Clock Radio GCDR1940/GCDR1940S

Instruction Manual



SPECIFICATIONS

Programme Play	Up to 20 memories
Power requirement	AC 230V
.....	9V Battery Back Up For Clock (not supplied)
Dimension	159(W) x 150(H) x 196(D)mm
Weight	1.48kg not including battery

For improvement purposes, specification and design are subject to change without notice.

Goodmans product Information Helpline 0870 873 0080

TABLE OF CONTENTS

Important safeguards	2
Power Sources	3
Player Maintenance	3
Disc cleaning, power failure.....	4

Player operation

Location of controls	5
Setting the clock	6
Listening to the radio.....	6
CD playing	6
Basic operation	6
Programmed disc play	7
Wake up to alarm (Radio, Buzzer or CD)	7
To set the alarm to wake to Buzzer	8
To set the alarm to wake to Radio or CD	8
To shut the alarm off	8
Snooze	8
To activate the sleep function	8
Dimmer control	8
Product specification	9

WARNING

To prevent fire or shock hazard, do not expose the unit to rain or moisture.

To avoid electrical shock, do not open the cabinet. Refer servicing to qualified personnel only.

SAFETY PRECAUTIONS

1. As the laser beam used in this compact disc player is harmful to the eyes, do not attempt to disassemble the casing.
2. Stop operations immediately if any liquid or solid object should fall into the cabinet. Unplug the unit and have it checked by qualified personnel.
3. Do not touch the lens or poke at it. If you do you may damage the lens and the player may not operate properly.
4. Do not put anything in the safety slot. If you do, the laser diode will be ON when the lid is still opened.
5. This unit employs a laser. The use of controls or adjustments or performance of procedures other than those specified herein may result in exposure to hazardous radiation.

IMPORTANT SAFEGUARDS

For your convenience a mains plug with a fuse has been fitted to this appliance. For your safety please observe the following information.

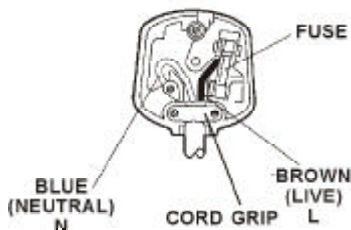
1. Should the fuse fail in the plug remove the plug from the wall socket and replace the fuse with a 3 Amp ASTA approved to BS1362 fuse.
2. Never use the plug without the fuse cover fitted. Replacement fuse covers are available from your dealer or most electrical retail outlets.
3. If the mains plug is cut off from the cable, rewire the replacement plug in accordance with the instruction given in this manual.
4. **CAUTION** : Under no circumstances should the discarded plug be inserted into the mains socket. To prevent a shock hazard carefully dispose of the discarded plug. Do not leave the plug lying around where children might see it.

WARNING : To prevent fire or shock hazard do not expose this unit to rain or moisture.

CAUTION : DANGEROUS VOLTAGES EXIST INSIDE THE UNIT. DO NOT REMOVE COVER (OR BACK). NO USER SERVICEABLE PARTS INSIDE. REFER SERVICING TO QUALIFIED SERVICE PERSONNEL. DISCONNECT FROM MAINS SUPPLY WHEN NOT IN USE.

MAINS PLUG WIRING DETAILS

accordance with following wiring codes:



The wires in this mains leads are coloured in accordance with the following wiring codes :

Blue : Neutral

Brown : Live

The wires in this mains lead must be connected to the terminals in the plugs as follow :

Blue Wire : N or Black

Brown Wire : L or Red

Only a 3 Amp fuse should be fitted in the plug or a 5 Amp fuse at the distribution board.

WARNING: UNDER NO CIRCUMSTANCES MUST THE LIVE OR NEUTRAL WIRES BE CONNECTED TO THE EARTH TERMINAL IN A 3-PIN MAINS PLUG.



This symbol means that this unit is double insulated. An earth connection is not required.

CAUTION

CLASS 1 LASER PRODUCT

Use of Controls or adjustments or performance of procedures other than those specified herein may result in hazardous radiation exposure.

CLEANING

Always disconnect the unit from power supply before attempting to clean it.

Use soft cloth moistened with soapy water, wipe gently.

Do not use solvents or abrasive materials.

LASER SAFETY

This unit employs a laser. Only qualified service personnel should attempt repair.



DANGER: INVISIBLE LASER RADIATION WHEN OPEN AND INTERLOCK FAILED OR DEFEATED. AVOID DIRECT EXPOSURE TO BEAM.

CAUTION: HAZARDOUS LASER RADIATION WHEN OPEN AND INTERLOCK DEFEATED.

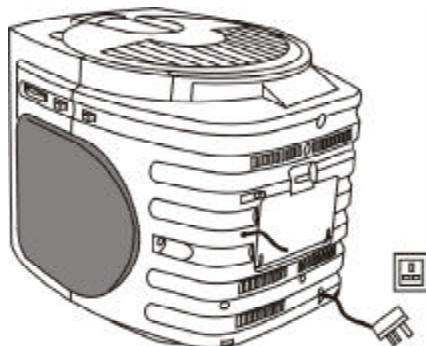
Goodmans product Information Helpline 0870 873 0080

POWER SOURCES

Power connection

1. Plug the AC 230V Power Cord into an AC household outlet.
2. If you want battery back up, connect the MN1604 Alkacine 9V battery (not included) to the battery terminals of the Battery compartment.
3. The batteries will maintain time function during a power cut, but not display it.
4. Normal display and function will resume when power is restored, replace the batteries annually.

Note: No battery is needed for normal operation.



PLAYER MAINTENANCE

Cleaning the Cabinet

IMPORTANT: Disconnect from Main Supply before cleaning.

Wipe with a soft cloth. If the cabinet is very dirty, dampen the cloth with a weak solution of neutral detergent and water, and then wipe clean.

Cleaning the Lens

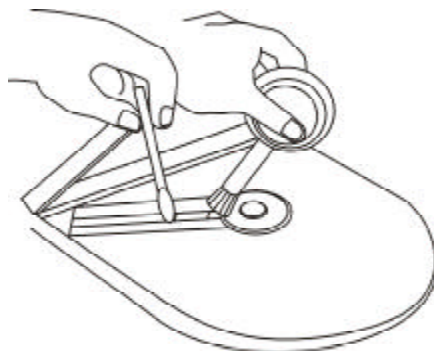
A dirty lens will cause sound skipping and, if the lens is very dirty, the CD may not work. Open the disc cover and clean the lens as follow:

Dust Dry Particles

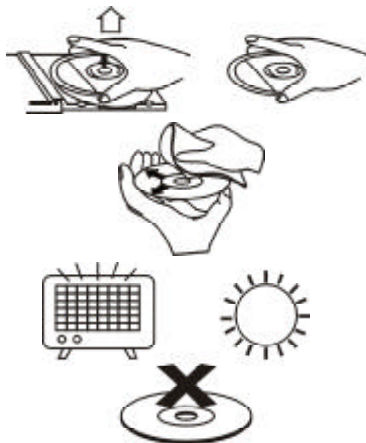
Using a camera lens brush/blower, blow on the lens couple times, then wipe it lightly with the brush to remove dust. Then, blow on the lens once more.

Finger prints

If the lens cannot be cleaned by using a brush/blower, use a dry cotton swab.



DISC CLEANING, POWER FAILURE



Power failure

When AC power is interrupted, both time and alarm settings will be lost (unless 1 X MN1604 battery (not supplied) is installed) after power is restored. The digital display will blink to show power was interrupted. You must reset time and alarm times.

Battery back up

To keep alarm time and time of day settings in memory during a brief power failure or accidental AC cord unplugged, install 1 x MN1604 battery (not supplied) into the Battery Compartment rear of the unit.

Cleaning the Disc

1. To handle a disc use only one of the two manners.

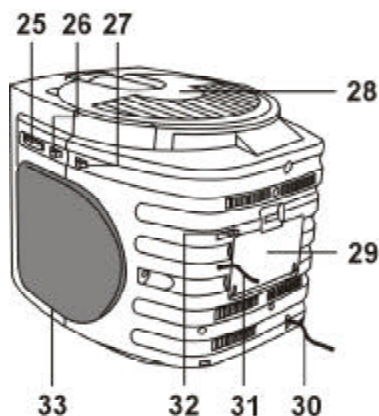
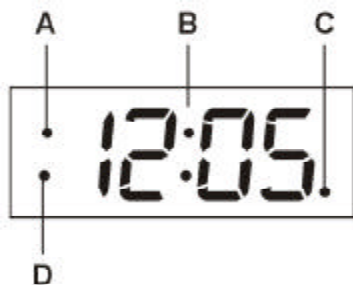
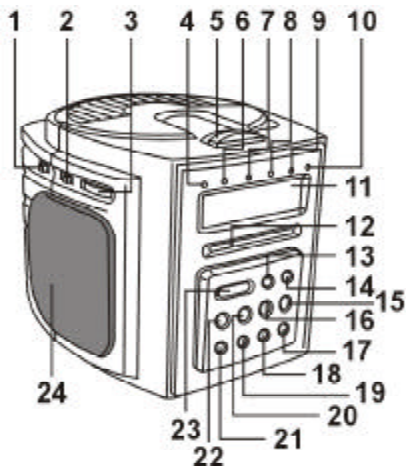
Note: Do not touch the rainbow-coloured side.

2. To wipe a disc, use only a soft cloth. Do not use benzene or thinner which will damage the disc. The disc should always be wiped in a straight line from the centre to the edge. It should never be wiped in a circular motion.
3. Never place the disc on other equipment or near any heat source. Avoid positions where the disc would be subjected to direct sunlight for long periods.

Maintenance and care

1. Electronic products should never be subjected to extreme temperatures nor high humidity to ensure good performance and a long life-time. The clock radio should not be placed in bathing areas, or around stoves and radiators, etc. Always leave sufficient space around the unit for ventilation.
2. If necessary, only clean the cabinet of the unit with a soft dampened piece of cloth, (be sure the AC power cord is unplugged from the outlet). Never use a polish or a strong detergent for cleaning since this can damage the finish of the cabinet.



LOCATION OF CONTROLS



Function of controls

1. ALARM 1 SET / ON / OFF switch
2. ALARM 2 SET / ON / OFF switch
3. VOLUME control
4. CD indicator
5. SNOOZE button
6. FM STEREO indicator
7. SLEEP indicator
8. REPEAT indicator
9. PROGRAM indicator
10. RANDOM indicator
11. Display
 - A. Tuner indicator
 - B. Clock Display
 - C. ALARM 2 indicator
 - D. ALARM 1 indicator
12. Dial Scale
13. SLEEP button
14. CLOCK ADJ button
15. SKIP / SEARCH / TIME SET HOUR (▶▶▶) button
16. SKIP / SEARCH / TIME SET MINUTE (◀◀◀) button
17. PROGRAM button
18. CD DISPLAY button
19. RANDOM button
20. STOP (■) button
21. REPEAT button
22. PLAY / PAUSE (▶▶) button
23. POWER / ALARM OFF button
24. Left Speaker
25. TUNING control
26. FUNCTION (AM / FM / FM ST. / CD) switch
27. BUZZER / MUSIC switch
28. CD Door
29. Battery Compartment
30. AC Cord
31. FM Antenna wire
32. DIMMER switch
33. Right speaker

SETTING THE CLOCK

- Connect the AC power cord to a wall outlet.
 - Figures will appear and begin to flicker on the time display.
1. While holding down CLOCK ADJ button, press HOUR () to set the hour.
 2. While holding down CLOCK ADJ button, press MIN () to set the minute.

LISTENING TO THE RADIO


1. Press the POWER button to turn the unit on; the STANDBY / ON indicator will light in the display.
2. Slide the FUNCTION switch to FM or AM position.
3. Turn into a station.
4. Adjust the VOLUME control as desired.

Antennas







FM: Extend the external FM antenna wire.

AM: Turn the unit for better AM reception.

CD PLAYING

1. Open the disc compartment.
2. Place a disc firmly in the centre until it clicks into position with the label side facing up and close the disc compartment.
3. Press the POWER button to turn the unit on; slide the FUNCTION switch to CD.
 - total number of tracks in the disc is shown on the display.
4. Press PLAY / PAUSE () button.
 - playback starts from the first track.

BASIC OPERATION

To stop	Press STOP () button
To pause	Press PLAY / PAUSE () button. To resume, press it again.
To search for the beginning of a track	Press  or  button.
To locate a desired passage	Keep  or  pressed. Release the button at the started of desired passage.

Notes:

To display the CD operation, press CD DISPLAY button, CD operation is displayed for few seconds.

REPEAT mode

Press the REPEAT button before or during play. A single track or all tracks can be repeated.

Each press switches the repeat mode.



RANDOM play

1. Press RANDOM button to select random mode, RANDOM LED indicator will light up.
2. To cancel the random mode, press the RANDOM button again.

PROGRAMMED DISC PLAY

You can choose up to 20 tracks in any desired order for programmed play.

1. Set the FUNCTION switch to CD.
 2. Press the PROGRAM button.
 3. Press the ◀◀◀ or ▶▶▶SKIP / SEARCH button to select the track number.
 4. Press the PROGRAM button when the desired track number is displayed.
 5. Repeat step 3 and 4 to program more tracks.
 6. Press the PLAY / PAUSE (▶▶||) button to start programmed play.
- Disc play will start at the beginning of the first programmed track.

To check the program

- Press the PROGRAM button during stop mode. The track numbers are displayed in programmed order.

To erase the program

- Press the PROGRAM button and the STOP (■) button at the same time during stop mode. Opening the disc compartment also erases the contents of program memory.

WAKE UP TO ALARM (Radio, Buzzer or CD)

The radio, buzzer or CD automatically sounds at the designated time every day. You can set two different alarm times, one in ALARM 1 and one in ALARM 2, so that the alarm timer operates twice a day.

1. Slide the ALARM 1 or ALARM 2 switch to the set position; the alarm time will blink in the display.
2. Press the HOUR (▶▶▶) button to advance the hour and the MIN (◀◀◀) button to advance the min until the desired alarm time is shown on the display.
3. Slide the desired ALARM switch (1 or 2) to the ON (set) or OFF (not set) position.

TO SET THE ALARM TO WAKE TO BUZZER

- Set the alarm time as previously instructed.
1. Slide the BUZZER / MUSIC switch to the BUZZER HI / LOW position, when the actual time matches one of the selected preset alarm times, the unit automatically turns on.

TO SET THE ALARM TO WAKE TO RADIO OR CD

- Set the alarm time as previously instructed.
1. Slide the AM / FM / CD switch to AM, FM or CD position, and adjust the volume to wake you.
 2. Slide the BUZZER / MUSIC switch to the MUSIC position. When the actual time matches the selected preset alarm times, the unit automatically turns on.

TO SHUT THE ALARM OFF

- To shut the alarm off, press the POWER / ALARM OFF button once and the alarm time will be reset for the next day.
- Slide the desired ALARM 1 or ALARM 2 switch to the OFF position to turn off the alarm and not set it for the next day.

SNOOZE

- The alarm can be temporarily turned off manually by pressing the SNOOZE button; the alarm will turn back on automatically 6 minutes later.

TO ACTIVATE THE SLEEP FUNCTION

- Turn the desired radio station or insert a CD as previously instructed.
1. Press the SLEEP button and “- -” will appear on the clock display and the SLEEP indicator will blink.
 2. Repeatedly press the SLEEP button for the desired sleep time of 90, 60 or 30 minutes, the SLEEP indicator will light to indicate the sleep mode is activated.

TO CANCEL SLEEP TIME

Press the SLEEP button repeatedly until “- -” appears on the display.

DIMMER CONTROL

- You can adjust the brightness of the display by the DIMMER switch.

PRODUCT SPECIFICATIONS

RADIO

Receiving bands	MW/FM
Frequency range	MW 540 – 1600 kHz FM 88 – 108 MHz

GENERAL

Power requirements	AC 230V 9 Volt battery back-up
Power consumption	15W
Dimension	Approx. 159(W) x 150(H) x 196(D) mm
Weight	Approx. 1.48kg not including battery

IMPORTANT NOTES

Your hearing is very important to you and to us so please take care when operation this equipment. The following guidelines are provided for your information.

ESTABLISH A SAFE SOUND LEVEL

- Over time your hearing will adapt to continuous loud sounds and will give the impression that the volume has in fact been reduced. What seems normal to you may in fact be harmful. To guard against this **BEFORE YOUR HEARING ADAPTS** set the volume at a low level.
- Slowly increase the level until you can hear comfortably and clearly and without distortion.
- Damage to your hearing is accumulative and is irreversible.
- Any ringing or discomfort in the ears indicates that the volume is too loud.
- Remember listening for prolonged period of time at high volume levels will harm your hearing.

Once you have established a comfortable listening level, DO NOT INCREASE THE SOUND LEVEL FURTHER.