

# Goodmans

**GPSI64R**

**INSTRUCTION MANUAL**



**PORTABLE CD PLAYER**

**WITH STEREO RADIO CASSETTE RECORDER**

**Please read these instructions before use and keep for future reference.**

**WARNING:** UNDER NO CIRCUMSTANCES MUST THE LIVE OR NEUTRAL WIRES BE CONNECTED TO THE EARTH TERMINAL IN 3-PIN MAINS PLUG.



This symbol means that this unit is double insulated.  
An earth connection is not required.

**CAUTION:** The power switch is the TAPE function switch located on top left side of the player. When operating from 230V mains supply this does not completely disconnect the unit from the mains supply. Please be assured that it is perfectly safe to leave the unit connected to the mains supply.

**CAUTION**

**CLEANING:** Always disconnect the unit from mains supply before attempting to clean it.  
Use soft cloth moistened with soap water, wipe gently.  
Do not use solvents or abrasive materials.

\* Save the carton and packing materials: they will be useful if you ever have to transport the unit.

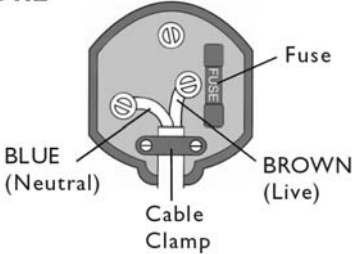


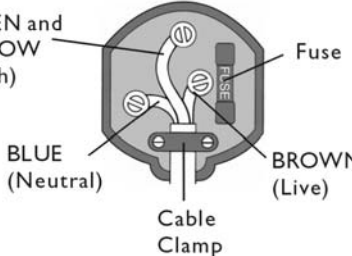

**Electrical Information**

This appliance is fitted with a BS1363/A 13 amp plug. If it is not suitable for your supply sockets, it must be removed and replaced with an appropriate plug. If the plug becomes damaged and/or needs to be replaced, please follow the wiring instructions below. The plug removed must be disposed of immediately. It must not be plugged into a supply socket as this will be an electrical hazard.

If the fuse needs to be replaced, it must be of the same rating and ASTA approved to BS1362. If the plug is changed, a fuse of the appropriate rating must be fitted in the plug, adapter or at the distribution board. If the fuse in a moulded plug is replaced, the fuse cover must be refitted before the appliance can be used.

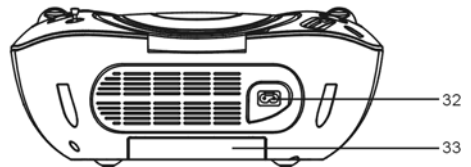
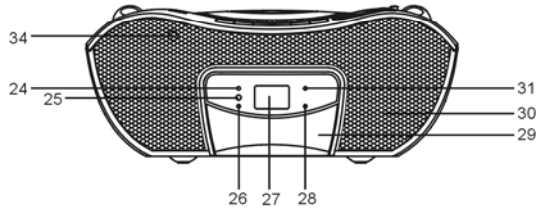
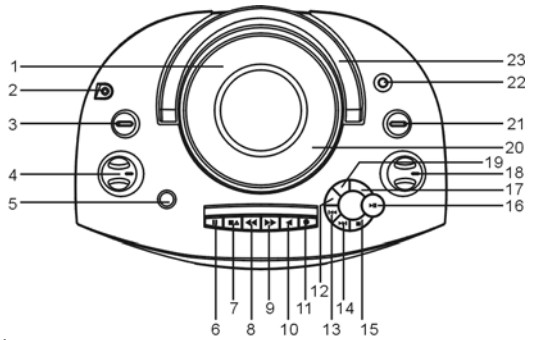
**Wiring instructions**

The supply cable will be either 2-core or 3-core. Follow the appropriate wiring instructions given below. In both cases ensure that the outer sheath of the cable is firmly held by the cable clamp.

<p><b>2 - CORE</b></p>  <p>Labels: BLUE (Neutral), BROWN (Live), Fuse, Cable Clamp</p>	<p> <b>WARNING!</b> Do not connect either wire to the earth terminal.</p> <p> This symbol indicates that this 2-core appliance is Class II and does not require an earth connection.</p> <p>The wire coloured blue must be connected to the terminal marked with the letter N or coloured black.</p>
<p><b>3 - CORE</b></p>  <p>Labels: GREEN and YELLOW (Earth), BLUE (Neutral), BROWN (Live), Fuse, Cable Clamp</p>	<p> <b>WARNING!</b> This appliance must be earthed.</p> <p>The wire coloured green and yellow must be connected to the terminal marked with the letter E, or by the earth symbol, <math>\perp</math>, or coloured green or green and yellow.</p> <p>The wire coloured blue must be connected to the terminal marked with the letter N or coloured black.</p> <p>The wire coloured brown must be connected to the terminal marked with the letter L or coloured red.</p>

# FUNCTIONS AND CONTROLS

1. CD COMPARTMENT
2. PHONES SOCKET
3. FUNCTION SWITCH
4. VOLUME CONTROL
5. DBBS ON/OFF BUTTON
6. CASSETTE PAUSE KEY
7. CASSETTE STOP/EJECT KEY
8. CASSETTE FAST FORWARD KEY
9. CASSETTE REWIND KEY
10. CASSETTE PLAY KEY
11. CASSETTE RECORD KEY
12. CD REPEAT BUTTON
13. CD SKIP/SEARCH BACKWARD BUTTON
14. CD SKIP/SEARCH FORWARD BUTTON
15. CD STOP BUTTON
16. CD PLAY/PAUSE BUTTON
17. CD RANDOM BUTTON
18. TUNING KNOB
19. CD PROGRAM BUTTON
20. CD DOOR OPEN/CLOSE
21. BAND SELECTOR
22. FM ANTENNA
23. HANDLE
24. POWER INDICATOR
25. REMOTE SENSOR
26. FM STEREO INDICATOR
27. LED DISPLAY
28. CD REPEAT INDICATOR
29. CASSETTE DOOR
30. SPEAKERS
31. CD PROGRAM INDICATOR
32. AC SOCKET
33. BATTERY DOOR
34. BUILT-IN CONDENSER MIC



# IMPORTANT NOTES

## INTRODUCTION

- Thank you for buying our product.
- Please read through these operating instructions, so you will know how to operate your equipment properly. After you finished reading the instructions manual, put it away in a safe place for future reference.

## WARNING

To prevent fire or shock hazard, do not expose this appliance to rain or moisture. To avoid electrical shock, do not open the cabinet; refer servicing to qualified personnel only.

## CAUTION

Use of controls or adjustment or performance of procedures other than those specified herein may result in hazardous radiation exposure.

## DANGER

Invisible laser radiation when open and interlock failed or defeated. Avoid direct exposure to beam.

**CLASS I LASER PRODUCT**

This Compact Disc player is classified as a Class I LASER PRODUCT.

- Avoid installing the unit in locations described below:
  1. Places exposed to direct sunlight or close to heat radiating appliance such as electric heaters, on top of other stereo equipment that radiate too much heat.
  2. Places lacking ventilation or dusty places.
  3. Places subject to constant vibration.
  4. Humid or moist places.
- Before turning on the power for the first time, make sure that the power cord is properly installed.
- Store your tapes or CD in a cool area to avoid damage from heat.

**CAUTION:** TO REDUCE THE RISK OF ELECTRIC SHOCK, DO NOT REMOVE COVER (OR BACK). NO USER SERVICEABLE PARTS INSIDE, REFER SERVICING TO QUALIFIED SERVICE PERSONNEL.

**WARNING:** Remove batteries if exhausted or if they will not be used again for a long period.

The incorrect use of batteries can cause electrolyte leakage and will corrode the compartment or cause the batteries to burst, therefore:

Do not mix battery types, e.g. alkaline with zinc carbonate.

When inserting new batteries, replace all batteries at the same time.

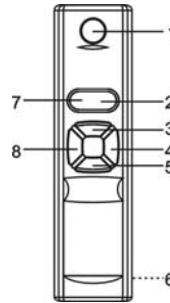
## REMOTE CONTROLLER

You can control the system with the provided remote controller. Slide open and insert two (AAA/UM4) batteries correctly so that the + and – polarities match the polarity diagrams inside the battery compartment.

- When the batteries are exhausted, the remote will no longer operate the system. Replace both batteries with new ones.
- When the remote is not to be used for a long time, remove the batteries to avoid damage caused by battery leakage and corrosion.
- Avoid keeping the remote in extremely hot or humid locations.
- Between remote controller and remote sensor there should be on no obstacles in the way. The remote range is approx 8 Metres.

## REMOTE CONTROL FUNCTIONS

1. CD RANDOM BUTTON
2. CD PROGRAM BUTTON
3. CD PLAY/PAUSE BUTTON
4. CD SKIP/SEARCH FAST FORWARD BUTTON
5. CD STOP BUTTON
6. BATTERY COMPARTMENT
7. CD REPEAT BUTTON
8. CD SKIP/SEARCH BACKWARD BUTTON

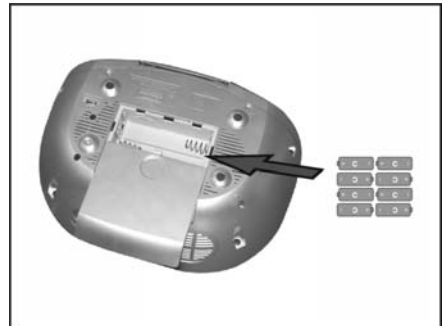


## POWER SUPPLY

### 1. BATTERY OPERATION

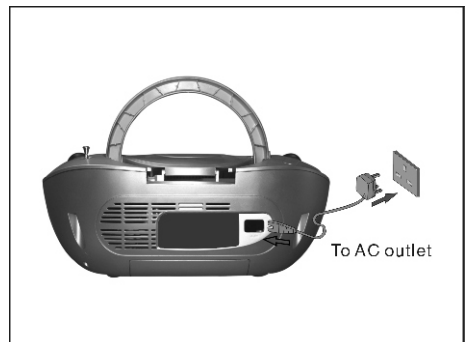
#### (Batteries are not supplied)

- REMOVE THE BATTERY COMPARTMENT DOOR.
- INSERT 8 PIECES UM-2 (C SIZE) BATTERIES INTO THE BATTERY COMPARTMENT WITH BATTERY POLARITY POSITIONED AS INDICATED.  
NOTE: WE RECOMMEND THE USE OF ALKALINE BATTERIES.
- CLOSE THE BATTERY COMPARTMENT DOOR.



### 2. AC OPERATION

- PLUG THE AC LINE CORD INTO ANY NORMAL HOUSEHOLD AS MAINS OUTLET.
- THE BATTERIES WILL BE AUTOMATICALLY DISCONNECTED.
- FOR MAINS OPERATION CONNECT THE SUPPLIED AC CORD TO THE AC SOCKET ON THE LEFT REAR OF THE UNIT. CONNECT THE 3 PIN MAINS PLUG TO A 3 PIN 230VAC MAINS SOCKET.



## **RADIO OPERATION**

Set FUNCTION SWITCH to "RADIO" position.

### **FM/FM ST. BAND**

Select FM ST. mode by band selector switch. Turn the TUNING control to select the desired station. The FM stereo indicator will light up which shows a FM stereo broadcast is being received, fully extend the FM antenna and adjust its direction for best FM reception. If the FM broadcast signal is weak, slide the switch to "FM" position to turn off the FM stereo, FM stereo indicator will disappear and the background noise will be reduced. After use set the function selector switch back to Off/Tape position

### **MW BAND**

Select MW mode by band selector switch. Turn the TUNING control to select the desired station. The MW aerial is fitted internally and is highly directional. Rotate the set for best reception. After use move the function selector switch back to the Off/Tape position.

## **CASSETTE OPERATION**

### **PLAYBACK OF CASSETTE**

Be sure to tighten any slack tape in the cassette before use, using either a pencil or a ballpoint pen, simply insert the pen or pencil into the centre of spool and rotate to remove slacks. Depress the STOP/EJECT button to open the cassette door.

Insert the cassette into the compartment with the open end facing upwards and the full reel on the left hand side, push the cassette well down and close the door, be sure not to touch the tape surface, Set the Function switch to "TAPE" position and press the CASSETTE play button. To stop playback, press the STOP/EJECT button once. To release the cassette, press the STOP/EJECT button again.

### **AUTO STOP**

When the tape reaches the end during playback or recording, the built-in auto stop system will release the depressed play, record keys. The auto stop system operates while recording from the built-in radio or CD player, only the cassette function is brought automatically to stop mode and the radio or CD player will continue to play.

### **RADIO RECORDING**

- A. Install blank cassette tape.
- B. Set FUNCTION SWITCH to "RADIO" position. After selecting the desired band and tune the TUNING KNOB to desired broadcast station. Then push down RECORD BUTTON and PLAY BUTTON simultaneously.
- C. After recording the desired broadcast, depress the STOP/EJECT BUTTON lightly, and then set FUNCTION SWITCH to "TAPE" position in order to listen to the recorded broadcast.
- D. Press REW button then play button to playback your recording.

ERASING: When you record over previously recorded tape, the original recording is automatically erased and replaced by the new recording.

### **RECORDING FROM CD**

1. Insert a blank cassette tape into the tape compartment.
2. Slide the FUNCTION switch to CD position.
3. Load a CD and select the desired track you want to record.
4. Press CD PLAY/PAUSE button to start playback. Press RECORD key to begin recording. RECORD key and PLAY key go down simultaneously.
5. Press PAUSE key to interrupt or edit recording. Press it again to resume recording.
6. Press STOP/EJ. Key to end recording.
7. Press the REW button to rewind the tape and then press PLAY button to hear your recording,

### **RECORDING FROM BUILT-IN MIC**

1. Set the Function Switch to "TAPE" normal position.
2. Insert a blank cassette tape into the tape deck.
3. Press the RECORD key and the PLAY key simultaneously. You can start the recording through the built-in MIC.
4. To stop the recording manually, press the Stop/Eject Button.

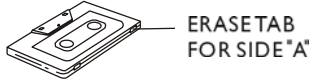
## TYPES OF CASSETTE

Use only good quality cassettes (IEC TYPE I) for making recordings. May be used to replay other types of cassette but is unable to make proper recording on these more specialized tapes.

The use of C120 cassettes is NOT recommended in this machine.

## PROTECTING RECORDING

Normally, anything recorded on the tape is automatically erased when new recording is made. It is possible to protect your recording from accidental erasure by removing the tabs found on the rear of the cassette.



When the cassette is held with the recorded side upper-most and exposed tape facing the front, the protective tab will be found on the left rear of the cassette.

All pre-recorded cassette are protected in this way to prevent accidental erasure of the commercial recording. "Protected" cassette will prevent the record button from being operated. If at any time you attempt to record and find that this button will not depress, never force the mechanism or it may be damaged. Check that a cassette has been loaded and that tab has not been removed. Recording on a cassette from which the tabs have been removed can be done by covering the tab openings with a piece of adhesive tape.

## CARE OF CASSETTE MECHANISM

Use a cassette cleaning tape to clean the tape heads and mechanism. These are available from most high street audio specialist.

## LISTENING TO COMPACT DISC

Set the FUNCTION SWITCH to "CD" position. Press the CD door OPEN/CLOSE to open the CD door to put in a compact disc. Close it and start reading. The LED display always shows the tracks of a disc which are still to be played.

### Playing The Entire Disc

1. Playback will start by pressing CD PLAY/PAUSE button, playback starts with the first track. The display will show the current track number.
2. To interrupt playback, press CD PLAY/PAUSE button.
3. To resume playback, press CD PLAY/PAUSE button once again.
4. To stop playback, press CD STOP button.

### Selecting A Different Track During Play

1. Press CD SKIP SEARCH FORWARD/BACKWARD button on the unit continuously until the desired track number appears in the display.
2. Playback starts from the desired track. (Press CD PLAY/PAUSE button to start playback in stop mode).

### Starting Again With the Track That Is Currently Playing

1. Press CD SKIP SEARCH BACKWARD button once.
2. The playback will start again from the beginning of the track.

### Searching Play

1. Press and hold the CD SKIP/SEARCH FORWARD button for CD fast forward. The CD play will start from when you release the button.
2. Press and hold the CD SKIP/SEARCH BACKWARD button for CD fast backward. The CD play will start from when you release the button.

### Stopping Play

1. Press CD STOP button if you wish to stop play. The total track number which can be played will now appear in the display.
2. Open the CD door on the unit to remove the CD.

## REPEAT PLAY

When playing, press REPEAT button once. REPEAT INDICATOR will light up and flash for playing the same track only. If repeat all tracks, press the REPEAT button again, REPEAT INDICATOR will light up. To cancel repeat play, press the REPEAT button until the repeat indicator disappears.

## PROGRAM PLAY

1. Press "PROG" button to make program memory in stop mode.
2. "O" will be shown flashing on the display, Program indicator will light up and flash.
3. Press CD SKIP SEARCH FORWARD/BACKWARD button to select a track number. The track number will show on display.
4. Press the "PROG" button to store the track number.
5. "O" flashes again. Repeat step (3) to (4) to program other desired tracks.
6. Press "PROG" button once more after 20 track in programmed and all the programmed track numbers will be shown one by one
7. Press CD PLAY/PAUSE button, playback will start from the first programmed track.
8. You can press CD SKIP SEARCH FORWARD/BACKWARD button to select the track number in memory.
9. In stop mode, press STOP button to cancel the program play and the program indicator will disappear.

## RANDOM PLAY

Press the CD RANDOM button in Play/Stop mode, and then press the CD PLAY/PAUSE button. Playback will start from any one track (not in the order of the disc).

## HEADPHONE SOCKET

For private listening, plug a 3.5mm headphone (not included) into the PHONES SOCKET. The speaker output is automatically cut off.

## BASS BOOST SYSTEM

The DBBS BUTTON controls the bass of the unit. Bass sound is the lower frequency ranges of sound. The knob can be pushed to OFF or ON position, When the DBBS is on, the unit boosts (increases) the sound output of the bass frequencies.

## COMPACT DISC MAINTENANCE

1. Always use a compact disc bearing the mark as shown.



2. Notes on handling discs
  - Removing the disc from its storage case and loading it.
  - Do not touch the reflective recorded surface.
  - Do not stick paper or write anything on the surface.
  - Do not bend the disc.
3. Storage
  - Store the disc in its case.
  - DO not expose discs to direct sunlight or high temperatures, high humidity or dusty places.
4. Cleaning a disc
  - Should the disc become soiled, wipe off dust, dirt and fingerprints with a soft cloth.
  - The disc should be cleaned from the center to the edge.



CORRECT



INCORRECT



FROM THE CENTRE TO THE EDGE

- Never use benzene, thinners, record cleaner fluid or anti-static spray.
- Be sure to close the CD door, so the lens is not contaminated by dust.
- Do not touch the lens.

## IMPORTANT NOTES

Your hearing is very important to you and to us so please take care when operating this equipment. It is strongly recommended that you follow the listed guidelines in order to prevent possible damage or loss of hearing.

### ESTABLISH A SAFE SOUND LEVEL

- Over time your hearing will adapt to continuous loud sounds and will give the impression that the volume has in fact been reduced. What seems normal to you may in fact be harmful.  
To guard against this **BEFORE YOUR HEARING ADAPTS** set the volume at a low level.
- Slowly increase the level until you can hear comfortably and clearly and without distortion.
- Damage to your hearing is accumulative and is irreversible.
- Any ringing or discomfort in the ears indicates that the volume is too loud.

Once you have established a comfortable listening level, **DO NOT INCREASE THE SOUND LEVEL FURTHER.**

The following list of typical sound levels may assist you in recognizing just how loud you have set the volume level.

### DECIBEL

Level dB	Example
30dB	Quiet library, soft whisper.
40	Living room, fridge freezer bedroom away from traffic.
50	Normal conversation, quiet office, light traffic.
60	Electric sewing machine.
70	Vacuum cleaner, hair dryer, noisy restaurant.

### THE FOLLOWING NOISE CAN BE HARMFUL UNDER CONSTANT EXPOSURE

80dB	Average city traffic, alarm clock buzzer at 2 feet, food mixer.
90	Motorcycle, heavy goods vehicle, petrol lawn mower.
100	Pneumatic drill, chain saw, garbage truck, discotec / night-club.
120	Rock band concert, thunderclap.

### PERMANENT LOSS OF HEARING

140	THRESHOLD OF PAIN Gunshot 2 feet away.
180	Rocket Launching pad.

# SPECIFICATIONS

## GENERAL

Power Requirement	AC 230V~50Hz DC 12V UM-2 x 8 PCS
Power consumption	AC 15 Watts
Weight	Approx. 2.1kg
Dimension	Approx. 335mm(L)x236mm(W)x143mm(D)
Operation temperature	+5° C - + 35 °C

## RECEIVER SECTION

Receiving Bands	MW / FM
Tuning Range	MW 530 - 1600 KHz FM 88 - 108 MHz

## COMPACT DISC SECTION

Optical Pickup	3-Beam Laser
Frequency Response	100Hz – 16 KHz

## CASSETTE SECTION

Recording System	2 Tracks 2 channel (Stereo)
Biasing System	DC bias
Frequency Response	125 – 6.3 KHz
Wow and Flutter	0.35 % WRMS (JIS)

## AUDIO SECTION

Power output	1.5 Watts x 2 (RMS)
Headphone Impedance	8 – 32 Ohms

## ACCESSORIES

Instruction Booklet	
AC Cord	
Remote Handset	

## Caution

- To avoid electric shock, this unit must not be exposed to dripping water splash.  
Ventilation warning - Do not block the ventilation holes on this unit. Failure to do so may cause harm to this unit and is not covered under the warranty given



If at any time in the future you should need to dispose this product please note that Waste electrical products should not be disposed of with household waste. Please recycle where facilities exist. Check with your Local Authority or retailer for recycling advice. (Waste Electrical and Electronic Equipment Directive).